

© - -

NOTES:

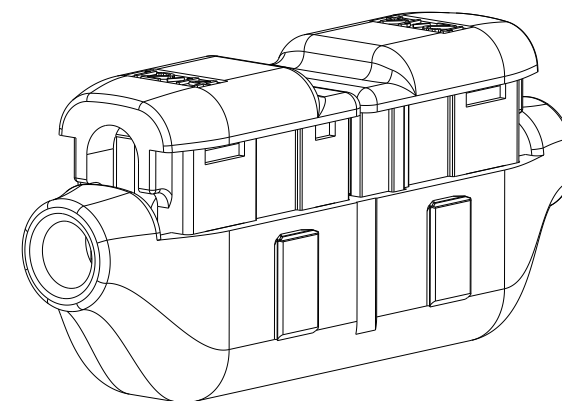
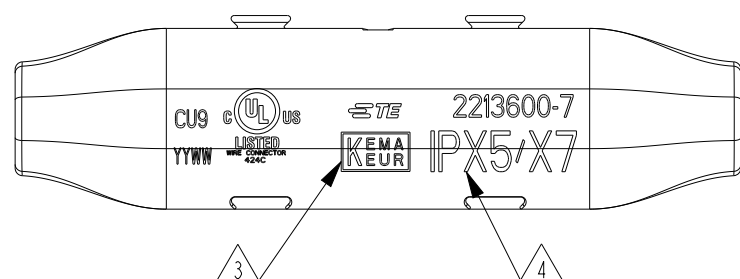
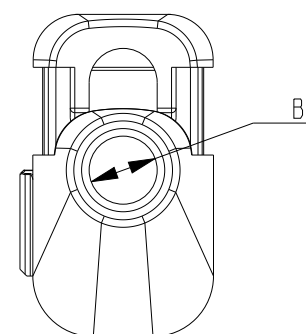
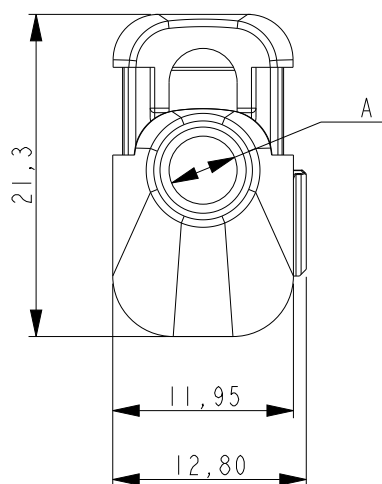
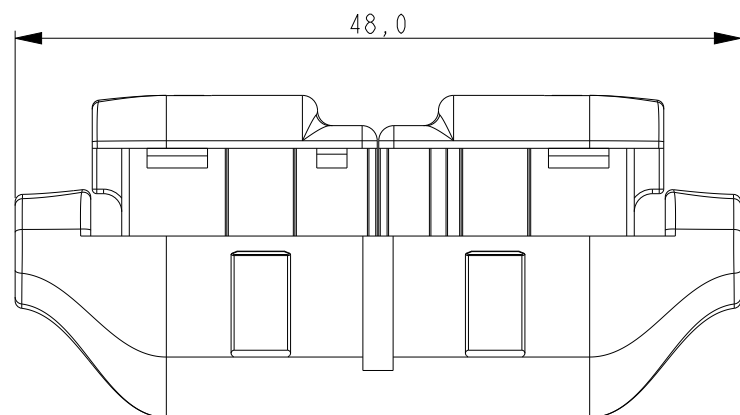
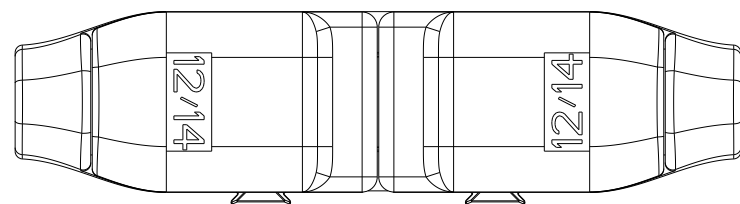
- 1. ISET212001R0000 AS SHOWN.
- 2. MATERIALS:

CONTACT: PHOSPHOR BRONZE, TIN PLATED  
 HOUSING: PC NOT GLASS FILLED;  
 COLOUR - CLEAR  
 BUTTONS: PC NOT GLASS FILLED;  
 COLOUR - YELLOW AND YELLOW

- 3 LASER MARKING:
  - KEMA
  - UL
  - TE LOGO
  - TE PART NUMBER
  - DATE CODE

- 4 LASER MARKING: IP x5/x7

### DIMENSIONS BEFORE APPLICATION



REVISIONS					
P	LTR	DESCRIPTION	DATE	DWN	APVD
	A	NEW DRAWING	16JUL2020	GK	IR

SEALED/4	A=4.5 B=4.5	12/14 TO 12/14	ISET212001R0000	2213600-7
SEALING	WIRE ENTRY	WIRE SIZE	ENTRELEC PN	TE PN
DWN GOPALAKRISHNA HV 16JUL2020	<b>TE Connectivity</b>			
CHK IAN RIDGEWAY 16JUL2020				
APVD IAN RIDGEWAY 16JUL2020	NAME ISW40-40-L			
PRODUCT SPEC 108-133061	-			
APPLICATION SPEC 114-133061	SIZE A3	CAGE CODE 00779	DRAWING NO G-ISET212001R0000	RESTRICTED TO -
WEIGHT -	SCALE 2:1		SHEET 1 OF 3	REV A
CUSTOMER DRAWING				

THIS DRAWING IS A CONTROLLED DOCUMENT.  
 DIMENSIONING AND TOLERANCING PER ASME Y14.5M-2009.

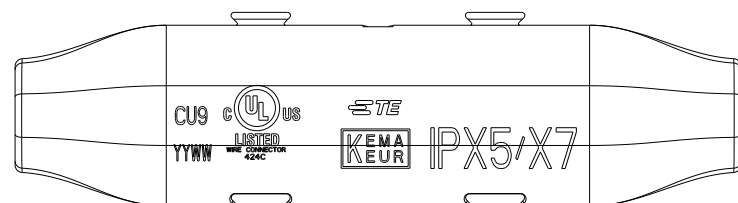
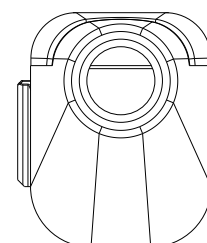
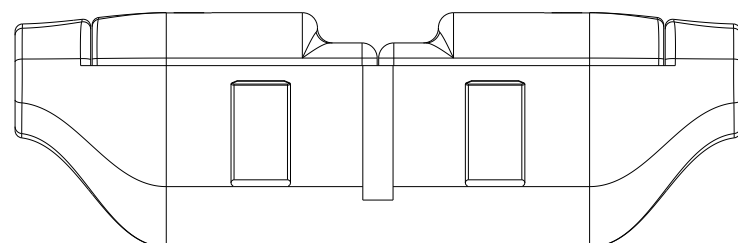
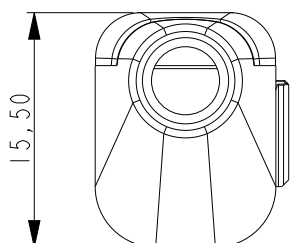
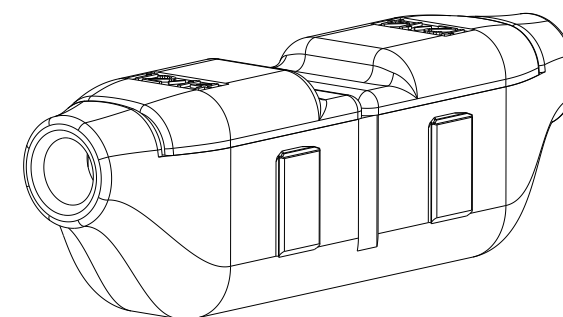
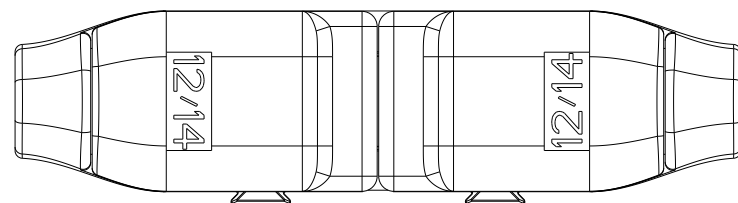
DIMENSIONS:	TOLERANCES UNLESS OTHERWISE SPECIFIED:
mm	
	0 PLC ±-
	1 PLC ±0,2
	2 PLC ±0,2
	3 PLC ±-
	4 PLC ±-
	ANGLES ±-
MATERIAL	FINISH
-	-
-	-


REVISIONS

P	LTR	DESCRIPTION	DATE	DWN	APVD
-	-	SEE SHEET 1	-	-	-

DIMENSIONS AFTER APPLICATION

NOTE:  
1. ISET212001R0000 AS SHOWN.

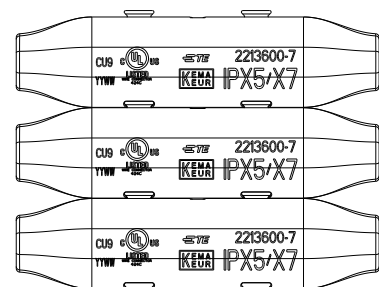
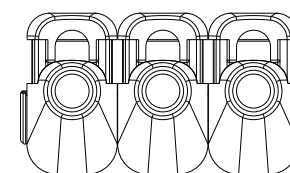
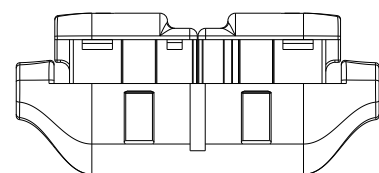
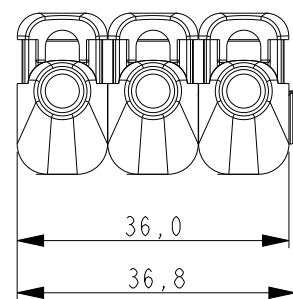
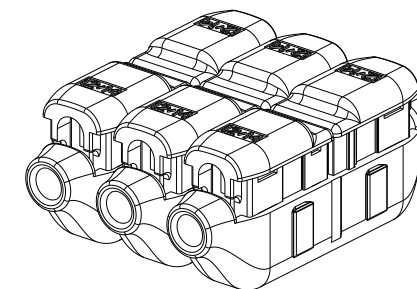
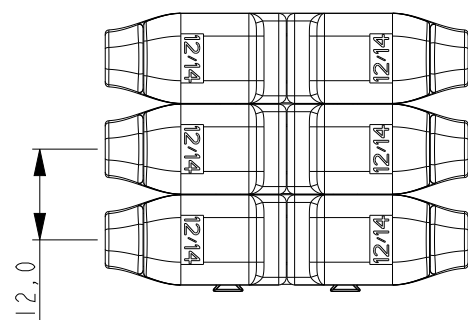


THIS DRAWING IS A CONTROLLED DOCUMENT.		DWN 16 JUL 2020 GOPALAKRISHNA HV	 TE Connectivity	
DIMENSIONS: mm		CHK 16 JUL 2020 IAN RIDGEWAY		
TOLERANCES UNLESS OTHERWISE SPECIFIED:		APVD 16 JUL 2020 IAN RIDGEWAY	NAME ISW40-40-L	
0 PLC ±- 1 PLC ±0,2 2 PLC ±0,2 3 PLC ±- 4 PLC ±- ANGLES ±-		PRODUCT SPEC 108-133061	RESTRICTED TO	
MATERIAL		APPLICATION SPEC 114-133061	SIZE A3	CAGE CODE 00779
FINISH		WEIGHT -	DRAWING NO G-ISET212001R0000	
-		CUSTOMER DRAWING	SCALE 5:1	SHEET 2 OF 3
-			REV A	

REVISIONS

P	LTR	DESCRIPTION	DATE	DWN	APVD
-	-	SEE SHEET 1	-	-	-

DIMENSIONS AFTER STACKING



THIS DRAWING IS A CONTROLLED DOCUMENT.

DIMENSIONS:	TOLERANCES UNLESS OTHERWISE SPECIFIED:
mm	0 PLC ±-
	1 PLC ±0,2
	2 PLC ±0,2
	3 PLC ±-
	4 PLC ±-
MATERIAL	ANGLES ±-
-	FINISH ±-
-	-
-	-

DWN	16 JUL 2020
CHK	GOPALAKRISHNA HV
APVD	16 JUL 2020
IAN RIDGEWAY	IAN RIDGEWAY
PRODUCT SPEC	108-133061
APPLICATION SPEC	114-133061
WEIGHT	-
CUSTOMER DRAWING	

		TE Connectivity	
		NAME ISW40-40-L	
SIZE	CAGE CODE	DRAWING NO	RESTRICTED TO
A3	00779	©-ISET212001R0000	-
SCALE 5:1		SHEET 3 OF 3	REV A