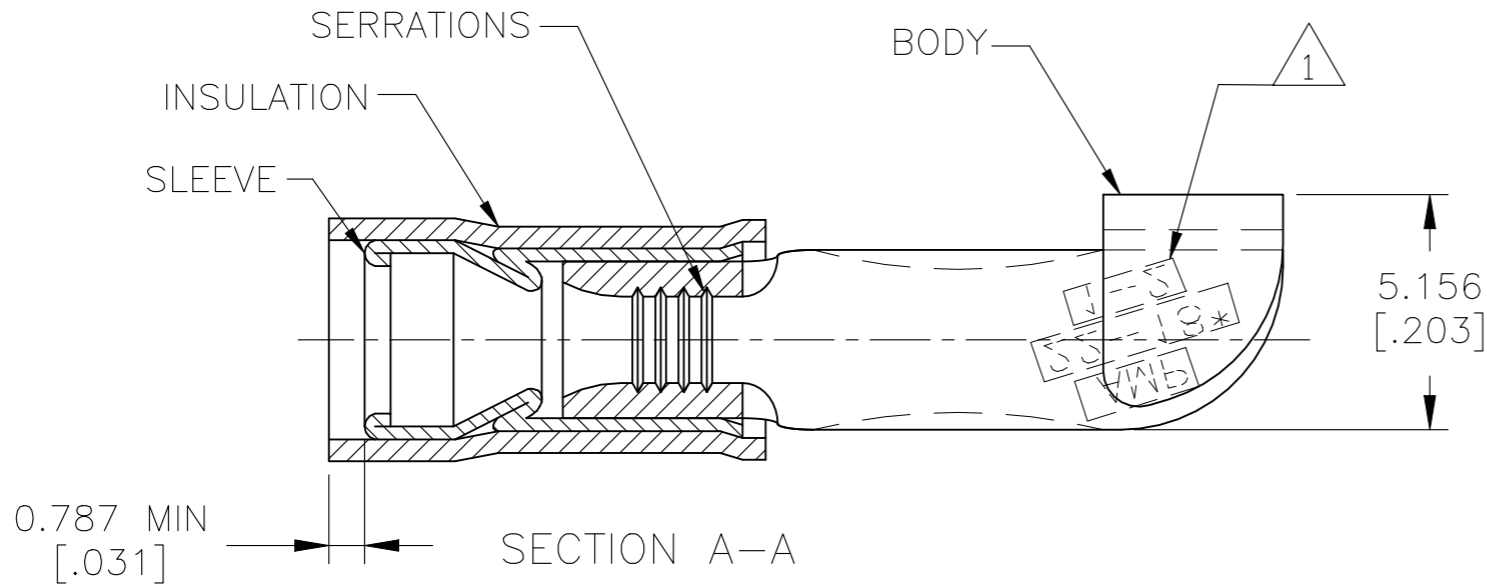
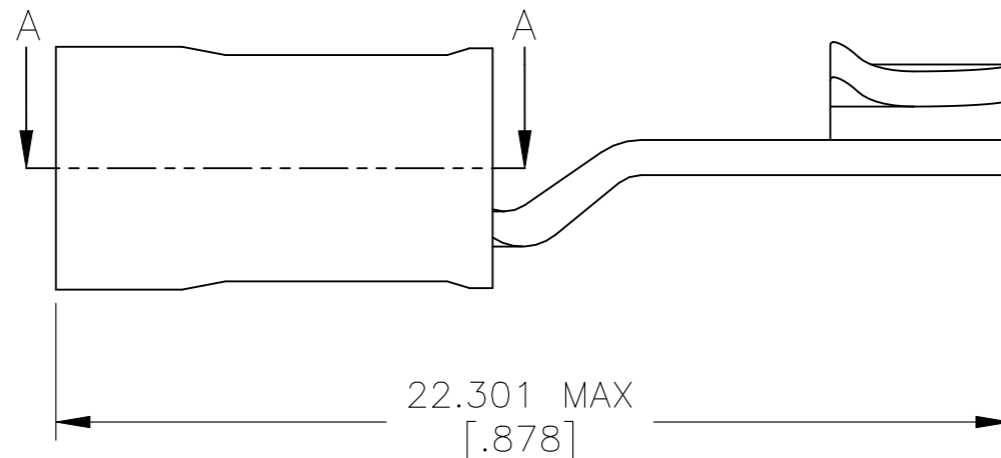


P	LTR	DESCRIPTION	DATE	DWN	APVD
	A	INITIAL RELEASE	03MAR2022	GK	SC



- 1 STAMP AMP 22-18* 1-2 APPROX AS SHOWN
WIRE RANGE IS 22-16 AWG
- 2. WIRE INSULATION DIAMETER:
φ2.032-3.175[φ.080-.125]
- 3. BODY MATERIAL THK: 0.787±0.051[.031±.002]
- 4 MATERIAL:
BODY & SLEEVE - COPPER PER ASTM B152
INSULATION - NYLON PER ASTM D4066 TYPE 1
- 5 FINISH:
BODY & SLEEVE - TIN PLATE 0.00254[.000100]
MIN EXT THK PER ASTM B545
INSULATION COLOR - RED



50	KD015-N	1SET163001R0000	320555
QTY	DESIGNATION	ENTRELEC PN	TE PN

MAX RECOMMENDED OPERATING TEMPERATURE: 105°C [221°F]
VOLTAGE RATING: 300V MAX
CIRCULAR MIL AREA: 0.26-1.65mm ² [509-3260] STRANDED

THIS DRAWING IS A CONTROLLED DOCUMENT.	
DIMENSIONS: mm [INCHES]	TOLERANCES UNLESS OTHERWISE SPECIFIED:
	0 PLC ± -
	1 PLC ± -
	2 PLC ± -
	3 PLC ± 0.127[.005]
4 PLC ± -	4 PLC ± -
ANGLES ± -	FINISH ± -
MATERIAL 4	FINISH 5

DWN GOPALAKRISHNA HV 03MAR2022	ENTRELEC Electrical Solutions		
CHK SUVARNA CHETHAN 03MAR2022			
APVD SUVARNA CHETHAN 03MAR2022	NAME TERMINAL, KNIFE DISCONNECT, PIDG, WIRE SIZE: 22-16 AWG		
PRODUCT SPEC UL 486A-B	SIZE A3	CAGE CODE -	DRAWING NO C-1SET163001R0000
APPLICATION SPEC 114-2157	RESTRICTED TO -		SCALE 6:1
WEIGHT -	SHEET 1 OF 1		REV A
CUSTOMER DRAWING			