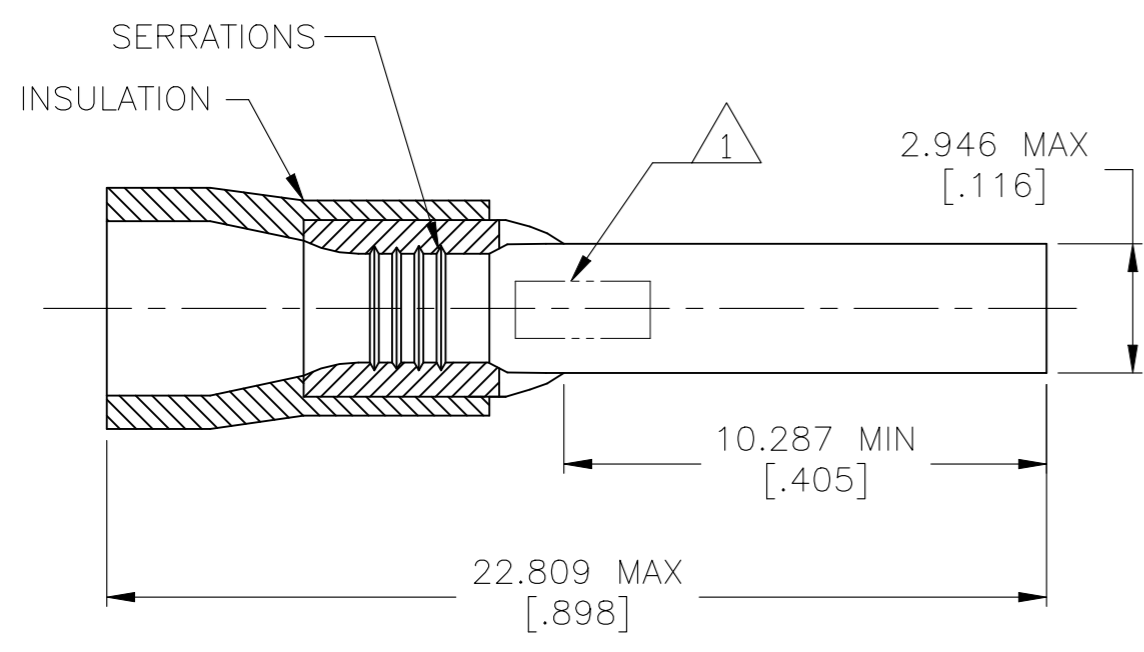
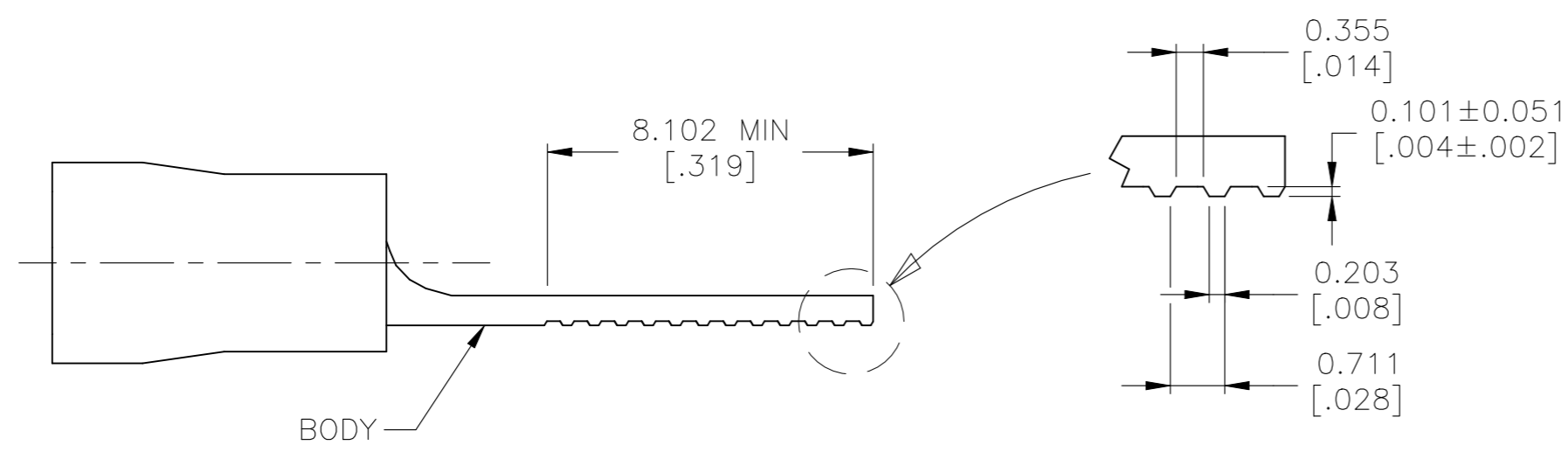


REVISIONS					
P	LTR	DESCRIPTION	DATE	DWN	APVD
	A	ECO-20-012219	30NOV2020	GK	DR

22-16 AWG STRANDED	22-16 AWG STRANDED



- 1 STAMP AMP 22-16 APPROX AS SHOWN
- 2. WIRE INSULATION DIAMETER: $\phi 2.692-3.581$ [$\phi .106-.141$]
- 3. BODY MATERIAL THK: 0.787 ± 0.051 [$.031 \pm .002$]
- 4 MATERIAL: BODY - COPPER PER ASTM B152
INSULATION - PVC
- 5 FINISH: BODY - TIN PLATE 0.00254 [$.000100$] MIN EXT THK PER ASTM B545
INSULATION COLOR - RED



100	WPF015-V	1SET152002R0000	131443
QTY	DESIGNATION	ENTRELEC PN	TE PN

MAX RECOMMENDED OPERATING TEMPERATURE: 105°C [221°F] VOLTAGE RATING: 600 V MAX (1000 V SIGN OR FIXTURE) CIRCULAR MIL AREA: 0.26-1.65mm ² [509-3,260] STRANDED	THIS DRAWING IS A CONTROLLED DOCUMENT.		DWN 30NOV2020 GOPALAKRISHNA HV CHK 30NOV2020 ROHDE DANIEL F APVD 30NOV2020 ROHDE DANIEL F		ENTRELEC Electrical Solutions NAME TERMINAL, TAB, PLASTI-GRIP 22-16 AWG			
	DIMENSIONS: mm [INCHES]	TOLERANCES UNLESS OTHERWISE SPECIFIED: 0 PLC ± - 1 PLC ± - 2 PLC ± - 3 PLC ± 0.127[.005] 4 PLC ± - ANGLES ± 1°	PRODUCT SPEC UL 486A-B APPLICATION SPEC 114-2161					
	MATERIAL -4	FINISH -5	WEIGHT -		SCALE 5:1		SHEET 1 OF 1	REV A
	CUSTOMER DRAWING				CUSTOMER DRAWING			