

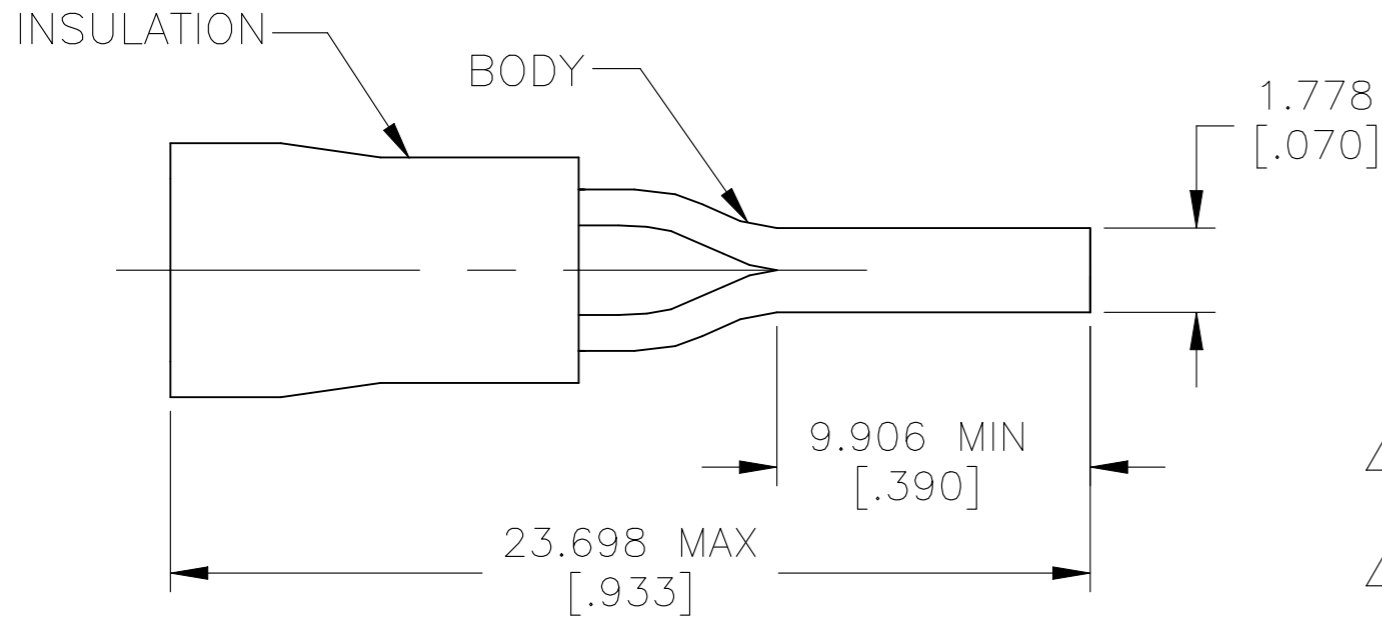
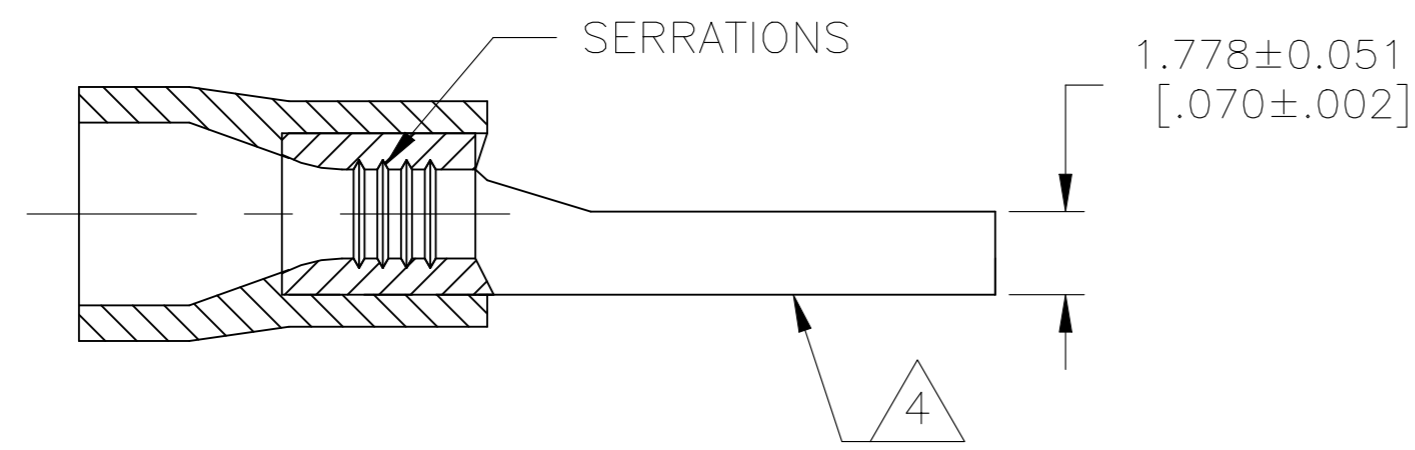


P	LTR	DESCRIPTION	DATE	DWN	APVD
	A	ECO-20-012219	18NOV2020	GK	DR

	 Certified
16-14 AWG STRANDED	16-14 AWG STRANDED

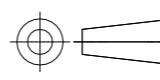


- 1. WIRE INSULATION DIAMETER:  $\phi 2.921-4.826$  [.115-.190]
- 2 MATERIAL: BODY - COPPER PER ASTM B152  
INSULATION - PVC
- 3 FINISH: BODY - TIN PLATE 0.00254 [.000100] MIN EXT THK PER ASTM B545  
INSULATION COLOR - BLUE
- 4 STAMP AMP 16-14\* APPROX AS SHOWN



100	WP025-V	1SET151004R0000	165171
QTY	DESIGNATION	ENTRELEC PN	TE PN

MAX RECOMMENDED OPERATING TEMPERATURE: 105°C [221°F]
VOLTAGE RATING: 600 V MAX (1000 V SIGN OR FIXTURE)
CIRCULAR MIL AREA: 1.04-2.62mm <sup>2</sup> [2,050-5,180] SOLID OR STRANDED

THIS DRAWING IS A CONTROLLED DOCUMENT.	
DIMENSIONS: mm [INCHES]	TOLERANCES UNLESS OTHERWISE SPECIFIED:
	0 PLC ± - 1 PLC ± - 2 PLC ± - 3 PLC ± 0.127 [.005] 4 PLC ± - ANGLES ± 1°
MATERIAL - 2	FINISH - 3

DWN GOPALAKRISHNA HV 18NOV2020	<b>ENTRELEC</b> Electrical Solutions		
CHK ROHDE DANIEL F 18NOV2020			
APVD ROHDE DANIEL F 18NOV2020	NAME TERMINAL, WIRE PIN, PLASTI-GRIP, 16-14 AWG		
PRODUCT SPEC UL 486A-B	SIZE A3	CAGE CODE 00779	DRAWING NO C-1SET151004R0000
APPLICATION SPEC 114-2161	RESTRICTED TO -		SCALE 8:1
WEIGHT -	SHEET 1 OF 1		REV A
CUSTOMER DRAWING			