

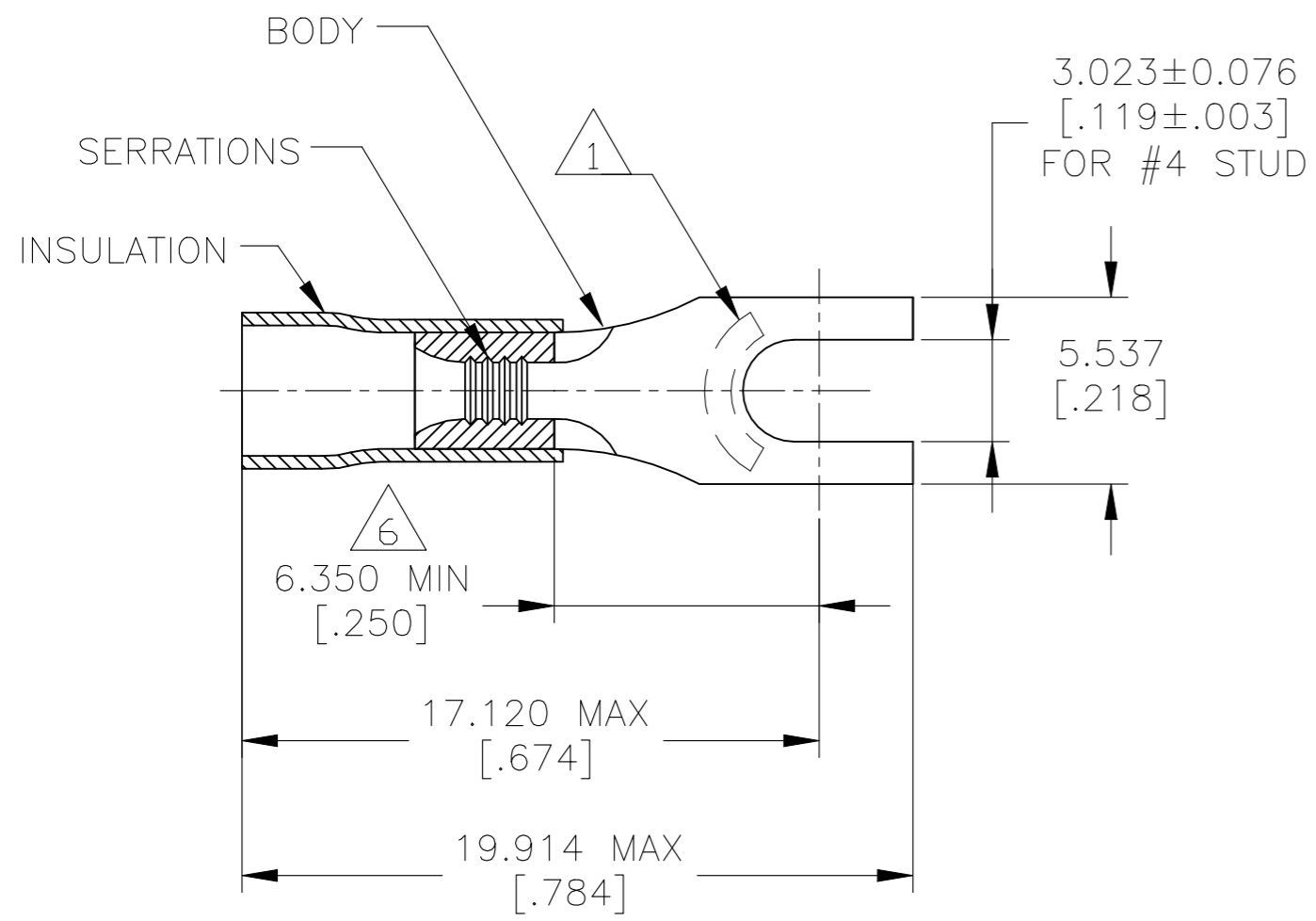


| REVISIONS | | | | |
|-----------|-----|---------------|-----------|-------|
| P | LTR | DESCRIPTION | DATE | APVD |
| | A | ECO-20-012219 | 11SEP2020 | GK DR |

| | |
|--|---|
|  Listed |  Certified |
| 22-16 AWG SOLID OR STRANDED | 22-16 AWG SOLID OR STRANDED |



- 1 STAMP AMP 22-16* APPROX AS SHOWN
- 2. WIRE INSULATION DIAMETER: $\phi 3.683 - 4.064$ [$\phi .145-.160$]
- 3. BODY MATERIAL THK: 0.787 ± 0.051 [$.031 \pm .002$]
- 4 MATERIAL: BODY - CU PER ASTM B152
INSULATION - PVC
- 5 FINISH: BODY - TIN PLATE 0.00254 [$.000100$] MIN EXT THK PER ASTM B545
INSULATION COLOR - RED
- 6 APPLIES FROM EDGE OF METAL WIRE BARREL TO CENTER OF STUD HOLE

| | | | |
|-----|-------------|-----------------|--------|
| 100 | SD015-025-V | 1SET131001R0000 | 165004 |
| QTY | DESIGNATION | ENTRELEC PN | TE PN |

| | | | | | | | |
|---|--|---|--|---------------------------|--|-------------------------------|--------------------|
| MAX RECOMMENDED OPERATING TEMPERATURE: 105°C [221°F] VOLTAGE RATING: 600V MAX (1000V FIXTURE OR SIGN) CIRCULAR MIL AREA: 0.26-1.65mm² [509-3260] SOLID OR STRANDED | THIS DRAWING IS A CONTROLLED DOCUMENT. | | DWN 11SEP2020 GOPALAKRISHNA HV CHK 11SEP2020 ROHDE DANIEL F APVD 11SEP2020 ROHDE DANIEL F | | ENTRELEC Electrical Solutions TERMINAL, SPADE, PLASTI-GRIP, WIRE SIZE: 22-16 AWG | | |
| | DIMENSIONS: mm [INCHES] | TOLERANCES UNLESS OTHERWISE SPECIFIED: 0 PLC ± - 1 PLC ± - 2 PLC ± - 3 PLC ± 0.127[.005] 4 PLC ± - ANGLES ± - | PRODUCT SPEC UL 486A-B APPLICATION SPEC 114-2161 | | | | |
| | MATERIAL - 4 | FINISH - 5 | WEIGHT A3 00779 | SIZE C-1SET131001R0000 | CAGE CODE G | DRAWING NO 1SET131001R0000 | RESTRICTED TO - |
| | CUSTOMER DRAWING | | | SCALE 8:1 | SHEET 1 OF 1 | REV A | |