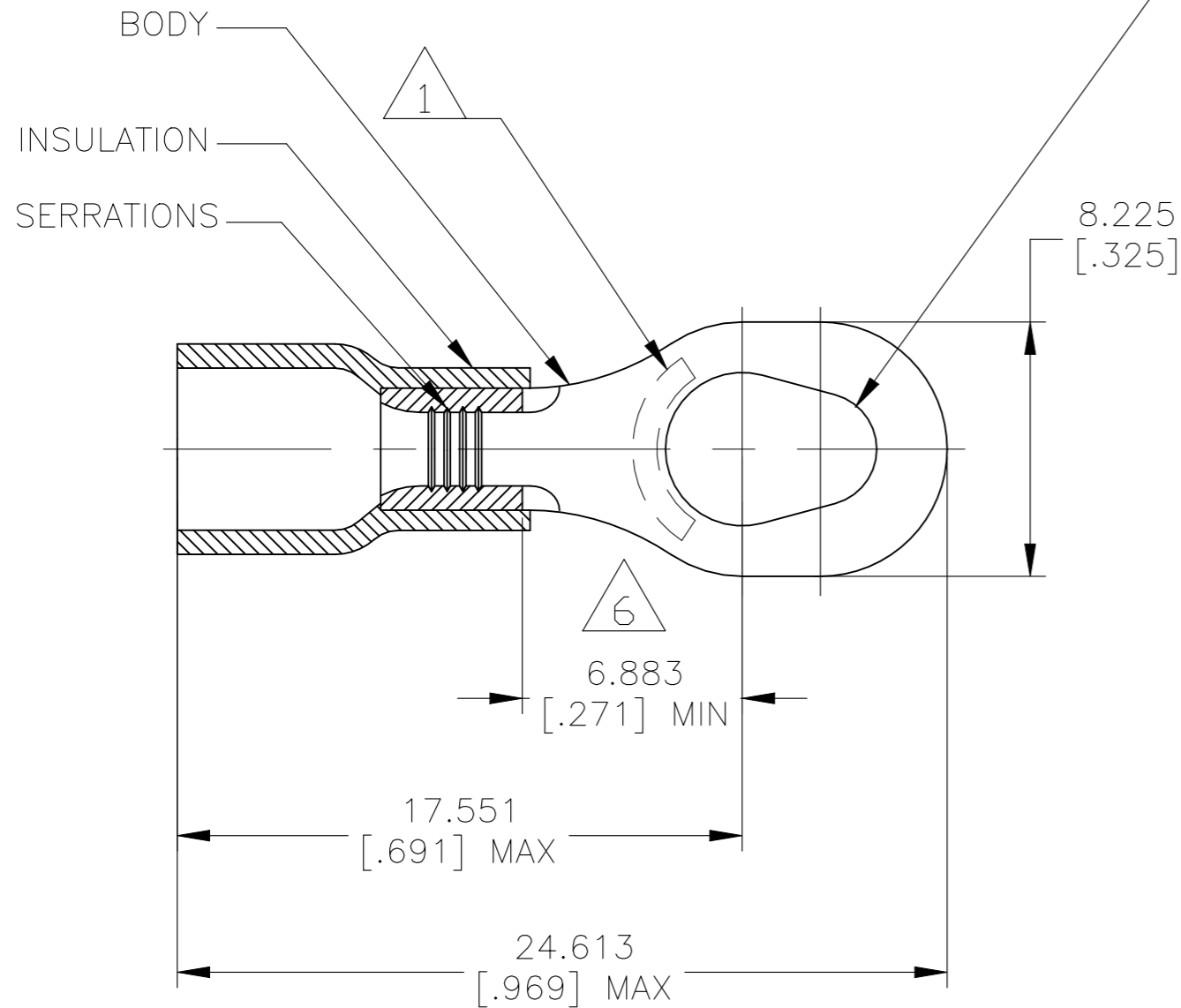


P	LTR	DESCRIPTION	DATE	DWN	APVD
	A	ECO-20-012219	11SEP2020	GK	DR

 Listed	 Certified
22-16 AWG SOLID OR STRANDED	22-16 AWG SOLID OR STRANDED

MULTI-STUD  
(FOR M3.5(#6), M4(#8) & #10 STUD)



- 1 STAMP AMP 22-18\* 1-2 APPROX AS SHOWN
- 2. WIRE INSULATION DIAMETER:  $\phi 2.032 - 3.175$  [ $\phi .080 - .125$ ]
- 3. BODY MATERIAL THK:  $0.787 \pm 0.051$  [ $.031 \pm .002$ ]
- 4 MATERIAL: BODY - CU PER ASTM B152  
INSULATION - PVC
- 5 FINISH: BODY - TIN PLATE  $0.00254$  [ $.000100$ ] MIN EXT THK PER ASTM B545  
INSULATION COLOR - RED
- 6 APPLIES FROM EDGE OF METAL WIRE BARREL TO CENTER OF STUD HOLE

100	RTM015-050-V	1SET122001R0000	54774-1
QTY	DESIGNATION	ENTRELEC PN	TE PN

THIS DRAWING IS A CONTROLLED DOCUMENT.		DWN 11SEP2020 GOPALAKRISHNA HV	<b>ENTRELEC</b> Electrical Solutions	
DIMENSIONS: mm [INCHES]		CHK 11SEP2020 ROHDE DANIEL F		
TOLERANCES UNLESS OTHERWISE SPECIFIED:		APVD 11SEP2020 ROHDE DANIEL F	NAME	
0 PLC $\pm -$		PRODUCT SPEC	TERMINAL, RING TONGUE, MULTI-STUD, PLASTI-GRIP WIRE SIZE: 22-16 AWG	
1 PLC $\pm -$		APPLICATION SPEC	SIZE	
2 PLC $\pm -$		114-2161	CAGE CODE	DRAWING NO
3 PLC $\pm 0.127[.005]$		WEIGHT	A3	00779
4 PLC $\pm -$		CUSTOMER DRAWING	C-1SET122001R0000	
4 PLC ANGLES $\pm -$		SCALE	6:1	SHEET
MATERIAL		RESTRICTED TO		REV
- 4		-		A
FINISH		SCALE		REV
- 5		6:1		A
MAX RECOMMENDED OPERATING TEMPERATURE: 105°C [221°F]		SHEET		1 OF 1
VOLTAGE RATING: 600V MAX (1000V FIXTURE OR SIGN)		RESTRICTED TO		-
CIRCULAR MIL AREA: 0.26-1.65mm <sup>2</sup> [509-3260] SOLID OR STRANDED		SHEET		1 OF 1