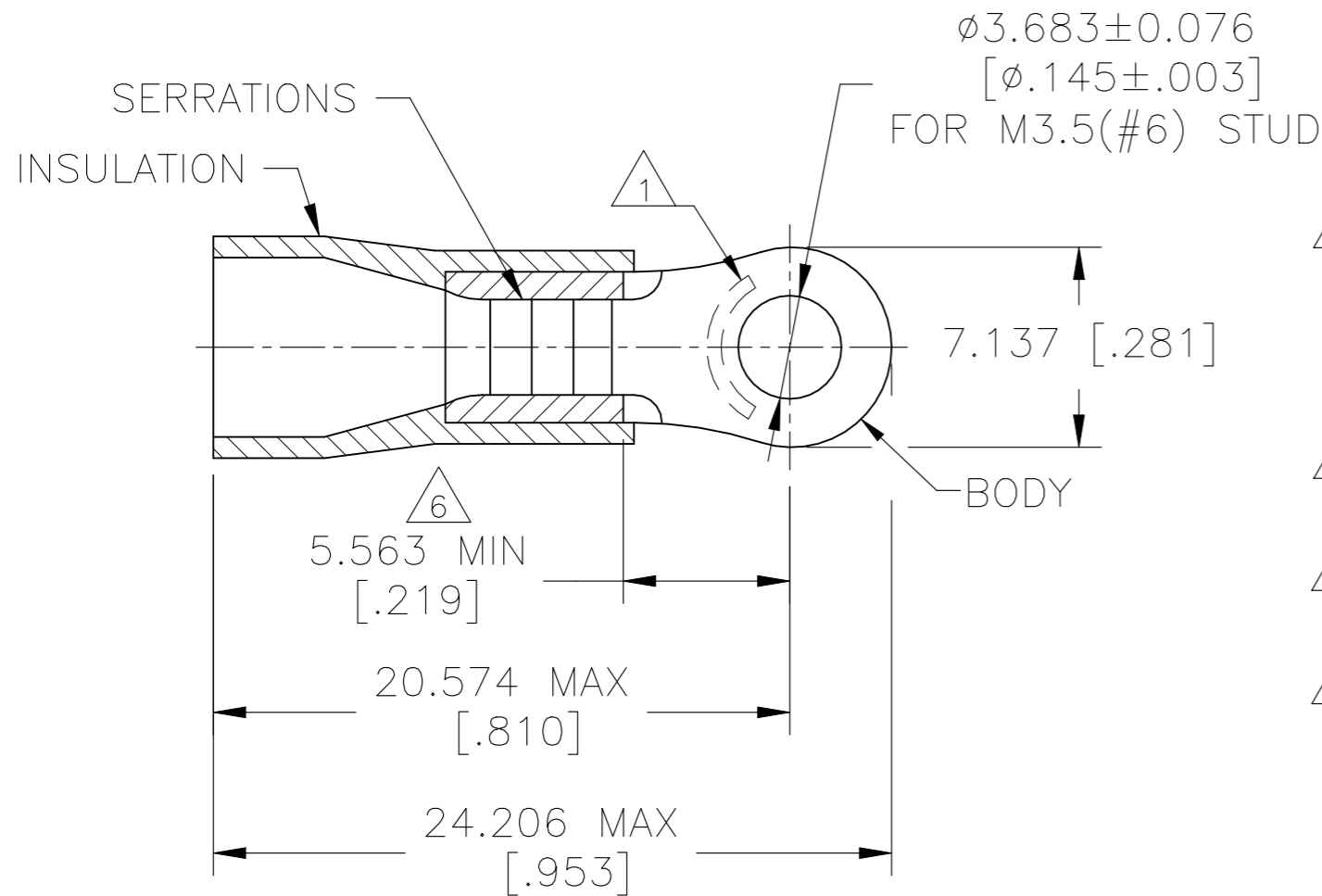


| P | LTR | DESCRIPTION   | DATE      | DWN | APVD |
|---|-----|---------------|-----------|-----|------|
|   | A   | ECO-20-012219 | 11SEP2020 | GK  | DR   |

|  |   |
|--|---|
|  Listed |  Certified |
| 12-10 AWG<br>SOLID OR STRANDED   | 12-10 AWG<br>SOLID OR STRANDED  |



- 1 STAMP AMP 12-10\* APPROX AS SHOWN
- 2. WIRE INSULATION DIAMETER:  $\phi 3.810 - 6.350$  [ $\phi .150 - .250$ ]
- 3. BODY MATERIAL THK:  $0.991 \pm 0.051$  [ $.039 \pm .002$ ]
- 4 MATERIAL: BODY - CU PER ASTM B152  
INSULATION - PVC
- 5 FINISH: BODY - TIN PLATE  $0.00254$  [ $.000100$ ] MIN EXT THK PER ASTM B545  
INSULATION COLOR - YELLOW
- 6 APPLIES FROM EDGE OF METAL WIRE BARREL TO CENTER OF STUD HOLE

|     |             |                 |       |
|-----|-------------|-----------------|-------|
| 100 | RT060-035-V | 1SET121015R0000 | 34852 |
| QTY | DESIGNATION | ENTRELEC PN     | TE PN |

|  |  |   |   |  |  |                 |   |
|--|--|---|---|--|--|-----------------|---|
| MAX RECOMMENDED OPERATING TEMPERATURE:<br>105°C [221°F]<br><br>VOLTAGE RATING:<br>600V MAX<br>(1000V FIXTURES AND SIGNS)<br><br>CIRCULAR MIL AREA:<br>2.62-6.64mm <sup>2</sup> [5,180-13,100]<br>SOLID OR STRANDED | THIS DRAWING IS A CONTROLLED DOCUMENT. | DWN 11SEP2020<br>GOPALAKRISHNA HV<br>CHK 11SEP2020<br>ROHDE DANIEL F<br>APVD 11SEP2020<br>ROHDE DANIEL F                                  | <b>ENTRELEC</b><br>Electrical Solutions |  | NAME<br>TERMINAL, RING TONGUE, PLASTI-GRIP<br>WIRE SIZE: 12-10 AWG |                 |   |
|  | DIMENSIONS:<br>mm [INCHES]             | TOLERANCES UNLESS OTHERWISE SPECIFIED:<br>0 PLC ± -<br>1 PLC ± -<br>2 PLC ± -<br>3 PLC ± 0.127[.005]<br>4 PLC ± -<br>ANGLES ± -<br>FINISH |   |  |  |                 | PRODUCT SPEC<br>UL 486A-B<br>APPLICATION SPEC<br>114-2161<br>WEIGHT |
|  | MATERIAL<br>- 4                        | FINISH<br>- 5   | CUSTOMER DRAWING                        |  | SCALE<br>4:1   | SHEET<br>1 OF 1 | REV<br>A  |