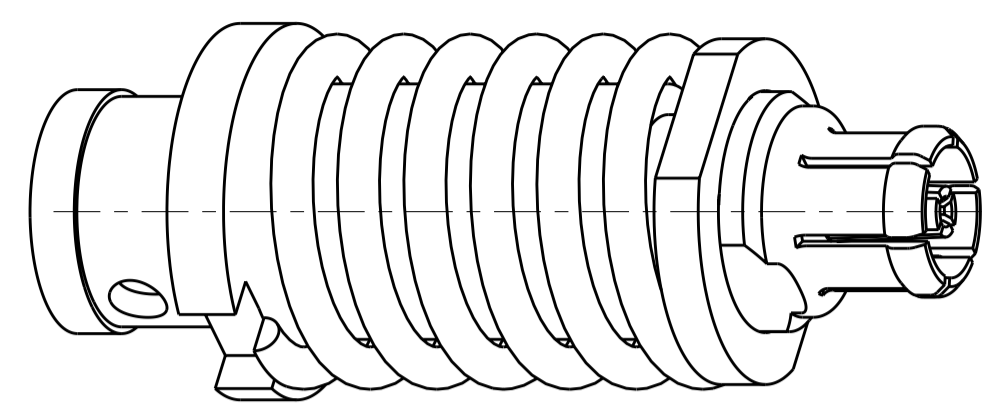


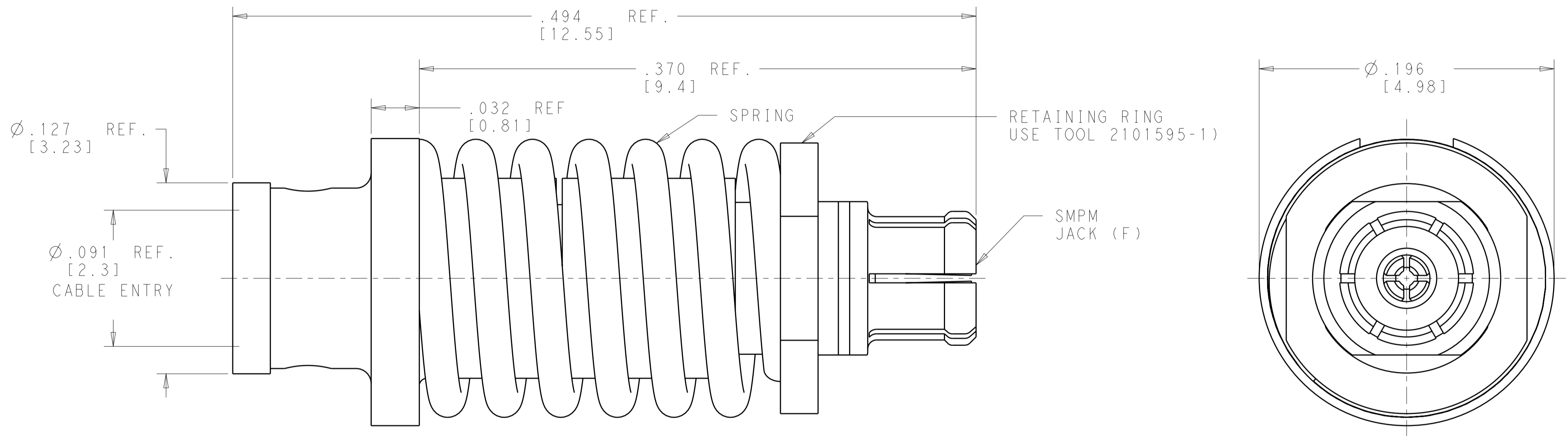
THIS DRAWING IS UNPUBLISHED. RELEASED FOR PUBLICATION
 © COPYRIGHT BY ALL RIGHTS RESERVED.

REVISIONS				
P	LTR	DESCRIPTION	DATE	APVD
M		RELEASED PER ECO 11-014858	7-22-11	CT WM



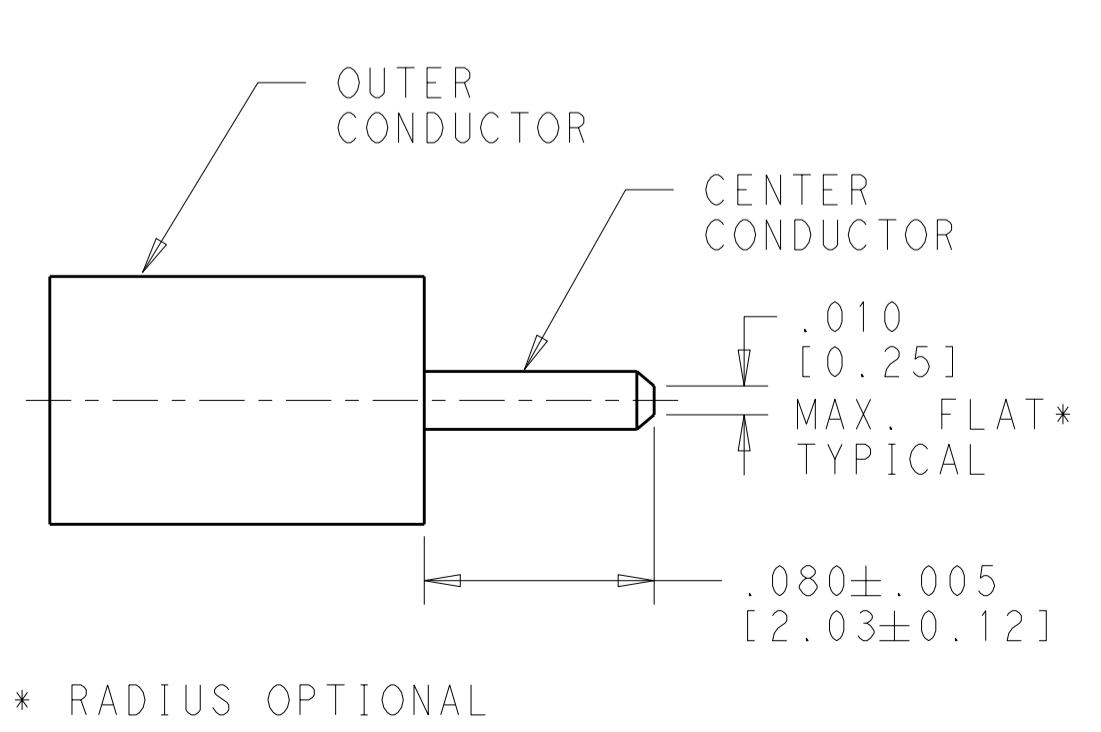
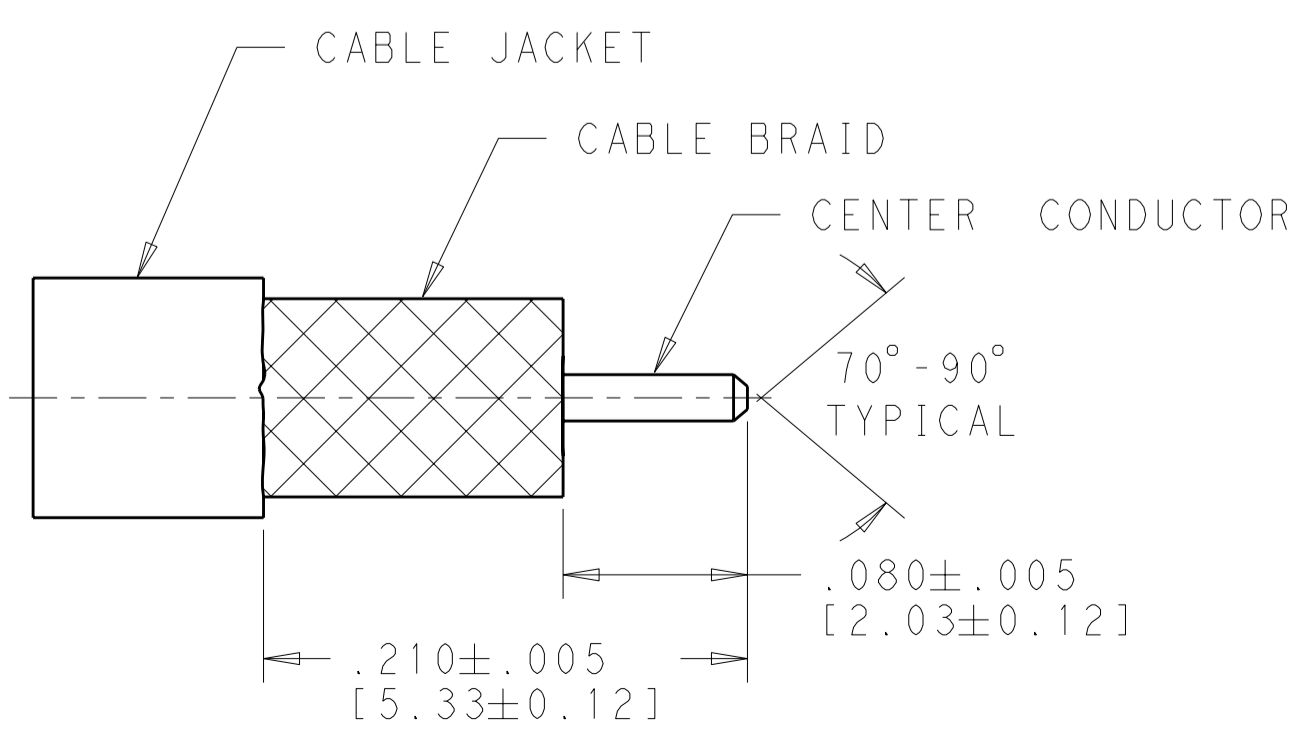
SCALE 10:1

- MATERIAL:**
 BODY & CENTER CONTACT - BERYLIUM COPPER, ALLOY UNS C17300 CONDITION TDO4, PER ASTM B196
 INSULATOR - TEFLON (PTFE) ROD, PER ASTM D 1710
 RETAINING RING - STAINLESS STEEL, PER UNS S30200
 SPRING - MUSIC WIRE, PER ASTM A228
- FINISH:**
 BODY & CENTER CONTACT - GOLD PLATE, PER ASTM B488
 OVER NICKEL PLATE PER SAE-ASM-QQ-N-290
 RETAINING RING - PASSIVATED
 SPRING - NICKEL PLATE, PER SAE-ASM-QQ-N-290
- SPRING FORCE:**
 PRELOAD = 2.35 ±.25 LBF
 FORCE AT .052 DEFLECTION = 3.60±.25 LBF
 MINIMUM FULL DEFLECTION = .078 [2.0]



CABLE PREPARATION FOR $\phi .086$ FLEXIBLE CABLES

CABLE PREPARATION FOR $\phi .086$ SEMI-RIGID & CONFORMABLE CABLES



1996390-1
 PART NUMBER

THIS DRAWING IS A CONTROLLED DOCUMENT.		DWN S.T. Morley 20NOV2007	STE TE Connectivity	
DIMENSIONS: INCHES [mm]		CHK S.T. Morley 26MAY2007		
TOLERANCES UNLESS OTHERWISE SPECIFIED:		APVD S.T. Morley 26MAY2007	NAME SMPM STRAIGHT CABLE JACK (F) FLOATING PANEL MOUNT - FOR USE WITH .085 DIA, AND SIMILAR CABLES	
0 PLC ±	1 PLC ±	PRODUCT SPEC	SIZE A200779	DRAWING NO C-1996390
2 PLC ±	3 PLC ±.005 [0.13]	APPLICATION SPEC 408-10373	RESTRICTED TO	
4 PLC ±	ANGLES ±1.0°	WEIGHT -	SCALE 20:1	SHEET 1 OF 1 REV M
MATERIAL 1	FINISH 2	CUSTOMER DRAWING		