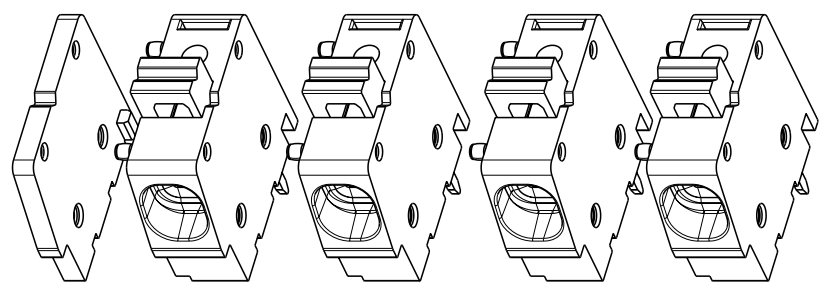
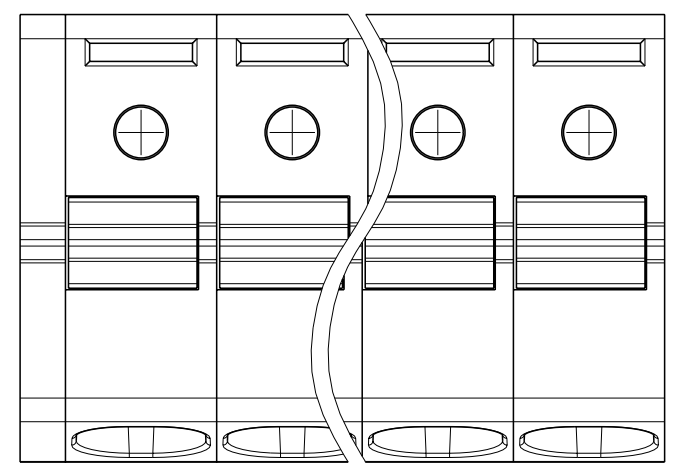
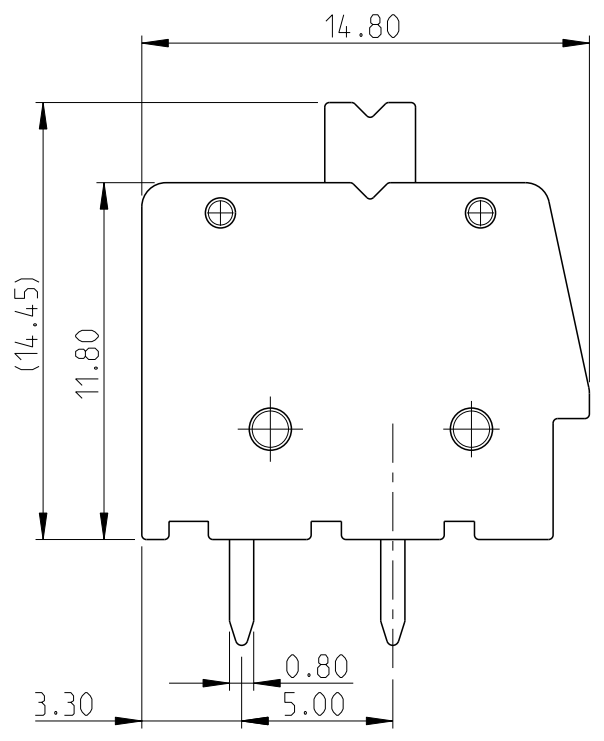
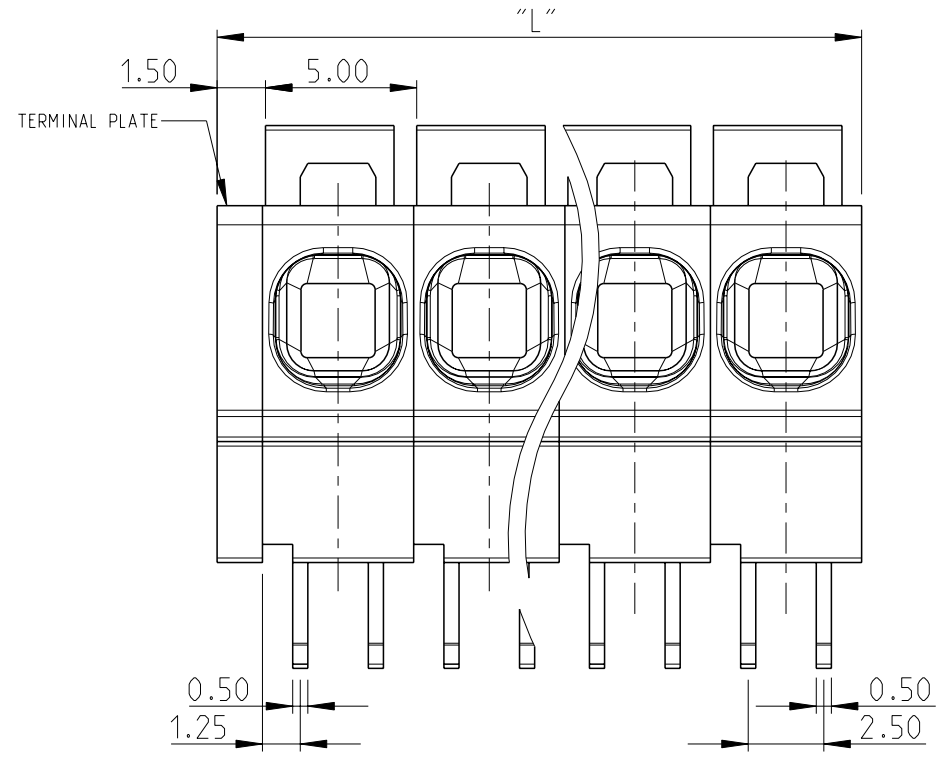


© 2023 TE Connectivity. All Rights Reserved.

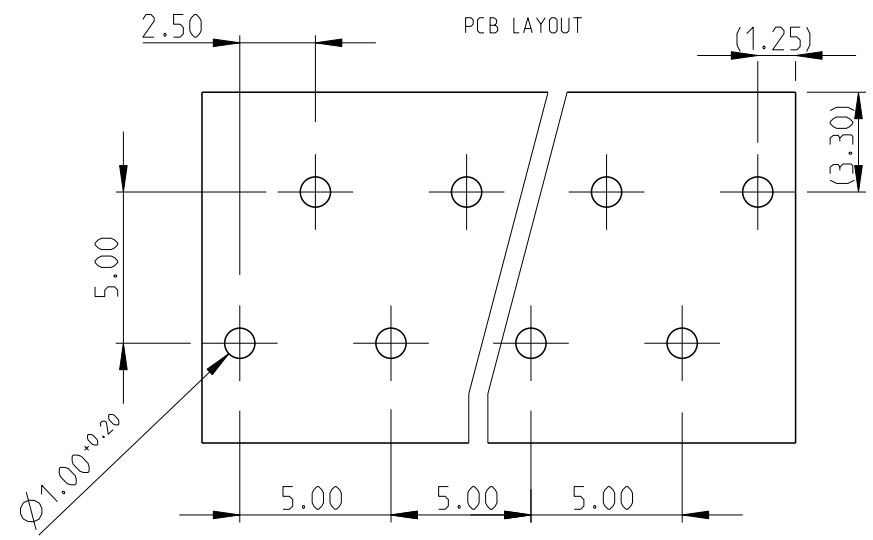
REVISIONS


P	LTR	DESCRIPTION	DATE	DWN	APVD
	C	PLATING INFORMATION ADDED	16JUL2019	RK	PS
	C1	PART OBSOLETE	02AUG2021	GMN	PS
	D	CHANGING THE PUSH BUTTON COLOR TO ORANGE	09MAY2023	SP	PS



SCALE 2:1
-4 AS SHOWN

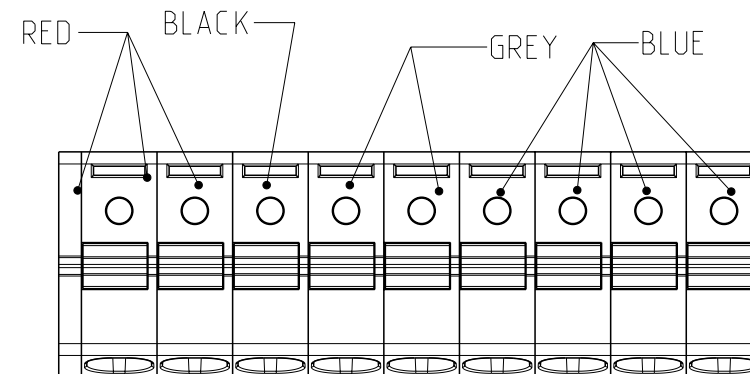
5	SEE FIG			
		46.50	9	2-1986711-6
		126.50	25	2-1986711-5
		121.50	24	2-1986711-4
		116.50	23	2-1986711-3
		111.50	22	2-1986711-2
		106.50	21	2-1986711-1
		101.50	20	2-1986711-0
		96.50	19	1-1986711-9
		91.50	18	1-1986711-8
		86.50	17	1-1986711-7
		81.50	16	1-1986711-6
		76.50	15	1-1986711-5
		71.50	14	1-1986711-4
		66.50	13	1-1986711-3
		61.50	12	1-1986711-2
		56.50	11	1-1986711-1
		51.50	10	1-1986711-0
		46.50	9	1986711-9
		41.50	8	1986711-8
		36.50	7	1986711-7
		31.50	6	1986711-6
		26.50	5	1986711-5
		21.50	4	1986711-4
		16.50	3	1986711-3
		11.50	2	1986711-2
	"L"	POLE		PART NO



THIS DRAWING IS A CONTROLLED DOCUMENT.		DWN 08AUG2011 RAGHAVENDRA	 TE Connectivity	
DIMENSIONS: mm		CHK 08AUG2011 SARVER MICHAEL		
TOLERANCES UNLESS OTHERWISE SPECIFIED:		APVD 08AUG2011 SARVER MICHAEL	NAME SPRING TYPE, SIDE WIRE ENTRY TERMINAL BLOCK PITCH 5.00mm	
0 PLC ± 1 PLC ±0.5 2 PLC ±0.25 3 PLC ± 4 PLC ± ANGLES ±°		PRODUCT SPEC	SIZE CAGE CODE DRAWING NO RESTRICTED TO	
MATERIAL SEE NOTES		APPLICATION SPEC	A3 00779 C-1986711	
FINISH SEE NOTES		WEIGHT -	SCALE 4:1 SHEET 1 OF 2 REV D	
CUSTOMER DRAWING				

Printed on 28 Jun 2023 14:27 (Indja Standard Time) from TE490671

P	LTR	DESCRIPTION	DATE	DWN	APVD
-		SEE SHEET 1	-	-	-



2-1986711-6

- MATERIAL:**
 HOUSING - PA (POLYAMIDE), UL94 V0, COLOR - GREEN
 PUSH BUTTON - PA (POLYAMIDE), COLOR - ORANGE
 CLAMPING SPRING - STAINLESS STEEL
 PIN - COPPER ALLOY(CuCr) -BRIGHT TIN PLATED, OVER NICKEL UNDERPLATE
- MECHANICAL:**
 MIN. PC BOARD HOLES DIAMETER : 1.2 mm
 MAX. PC BOARD THICKNESS : 2.4 mm
 WIRE STRIPPING LENGTH : 11 mm
- ELECTRICAL:**
 WIRE RANGE : 12-30 AWG (2.5mm² TO 0.2mm²)
 RATED VOLTAGE : 300V
 RATED CURRENT : 16A
 CONTACT RESISTANCE : <15 m Ohm
 INSULATION RESISTANCE : >1000 M Ohm (500V DC)
- OPERATING TEMPERATURE RANGE : -40°C TO +105°C**

5 OBSOLETE

THIS DRAWING IS A CONTROLLED DOCUMENT.		DWN RAGHAVENDRA 08AUG2011			
DIMENSIONS: mm		CHK SARVER MICHAEL 08AUG2011			
TOLERANCES UNLESS OTHERWISE SPECIFIED:		APVD SARVER MICHAEL 08AUG2011	NAME SPRING TYPE. SIDE WIRE ENTRY TERMINAL BLOCK PITCH 5.00mm		
		PRODUCT SPEC -	RESTRICTED TO -		
MATERIAL SEE NOTES		APPLICATION SPEC -	SIZE A3	CAGE CODE 00779	DRAWING NO C-1986711
FINISH SEE NOTES		WEIGHT -	SCALE 4:1		SHEET 2 OF 2
		CUSTOMER DRAWING		REV D	

Printed on 28 Jun 2023 14:27 (India Standard Time) from TE490671

A

A