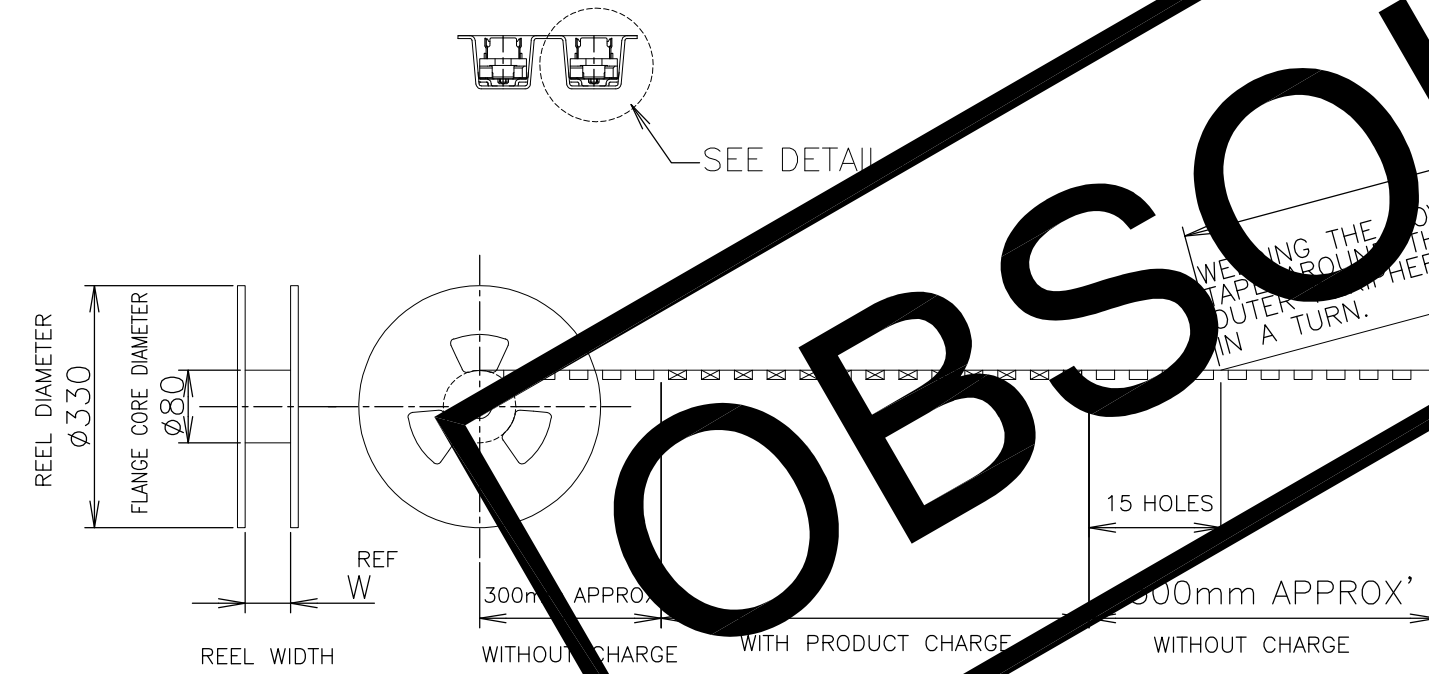
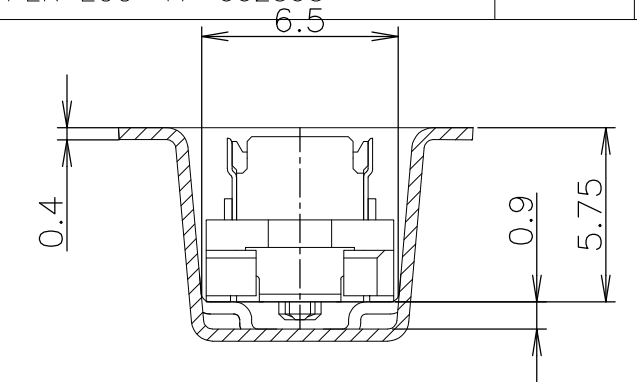
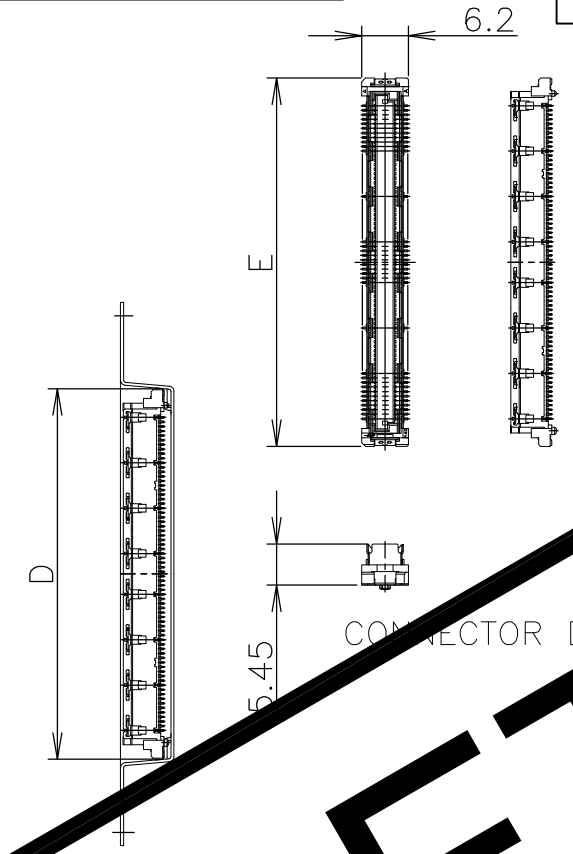
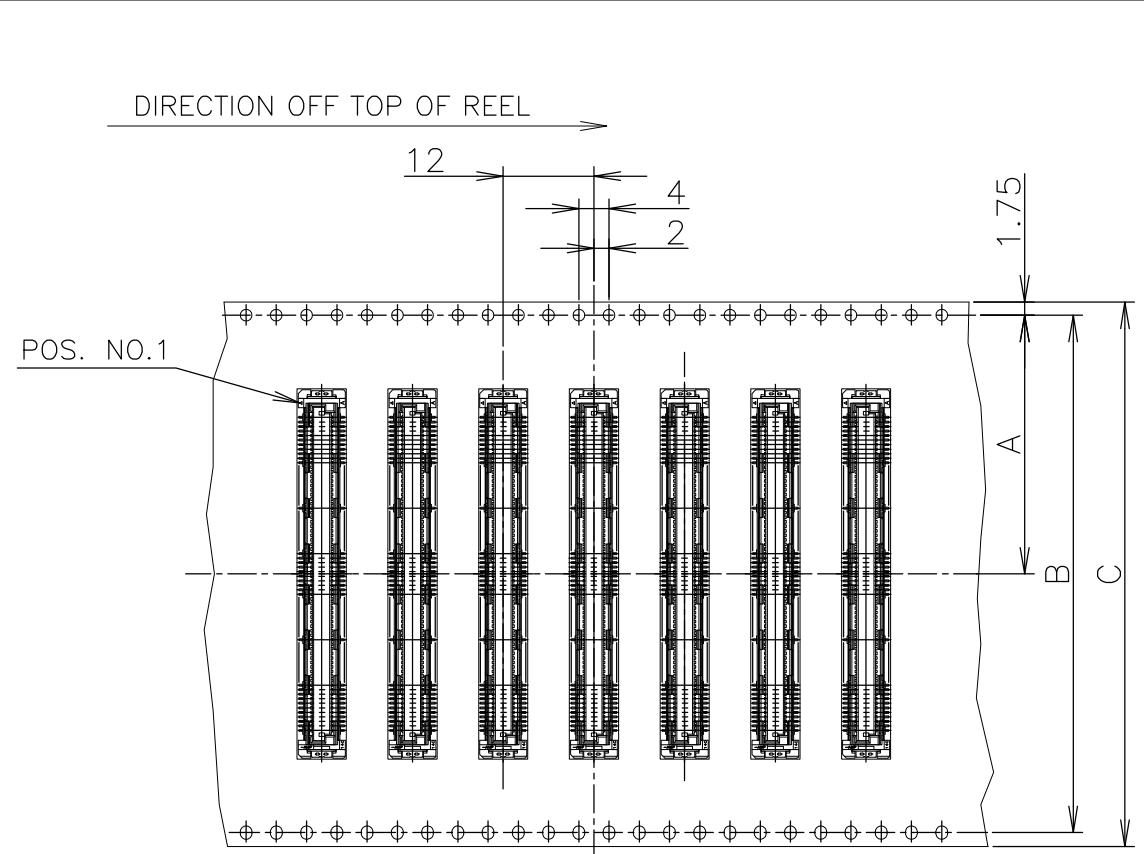


THIS DRAWING IS UNPUBLISHED. RELEASED FOR PUBLICATION APR, 2007.
 © COPYRIGHT 2007 BY TYCO ELECTRONICS CORPORATION. ALL RIGHTS RESERVED.

LOC	DIST	REVISIONS			
P	LTR	DESCRIPTION	DATE	DWN	APVD
J					
	C	REVISED	28JUN07	Y.S	Y.N
	D	REVISED PER ECO-17-002393	25MAY17	B.J	S.Y



OBSOLETE

SEALANT	TOOLING STATUS	QTY.	W	E	D	C	B	A	POS.	PART NO.
SEALANT (SIF-200P)	NOT AVAILABLE	800	49.5	24.7	25	44	40.4	20.2	60	7-1981982-4
	AVAILABLE		77.5	54.7	55	72	68.4	34.2	160	6-1981982-1
			77.5	48.7	49	72	68.4	34.2	140	6-1981982-1
			61.5	42.7	43	56	52.4	26.2	120	5-1981982-9
			61.5	36.7	37	56	52.4	26.2	100	5-1981982-8
			61.5	33.7	34	56	52.4	26.2	90	5-1981982-7
			49.5	30.7	31	44	40.4	20.2	80	5-1981982-6
			49.5	27.7	28	44	40.4	20.2	70	5-1981982-5
			49.5	24.7	25	44	40.4	20.2	60	5-1981982-4
			37.5	21.7	22	32	28.4	14.2	50	5-1981982-3
			37.5	18.7	19	32	28.4	14.2	40	5-1981982-2
NON SEALANT	NOT AVAILABLE	800	29.5	15.7	16	24	11.5		30	5-1981982-1
		800	49.5	24.7	25	44	40.4	20.2	60	2-1981982-4
			77.5	54.7	55	72	68.4	34.2	160	1-1981982-1
			77.5	48.7	49	72	68.4	34.2	140	1-1981982-1
			61.5	42.7	43	56	52.4	26.2	120	1-1981982-9
			61.5	36.7	37	56	52.4	26.2	100	1-1981982-8
	NOT AVAILABLE	800	61.5	33.7	34	56	52.4	26.2	90	1-1981982-7
			49.5	27.7	28	44	40.4	20.2	70	1-1981982-5
			49.5	24.7	25	44	40.4	20.2	60	1-1981982-4
			37.5	21.7	22	32	28.4	14.2	50	1-1981982-3
			37.5	18.7	19	32	28.4	14.2	40	1-1981982-2
	NOT AVAILABLE	800	29.5	15.7	16	24	11.5		30	1981982-1

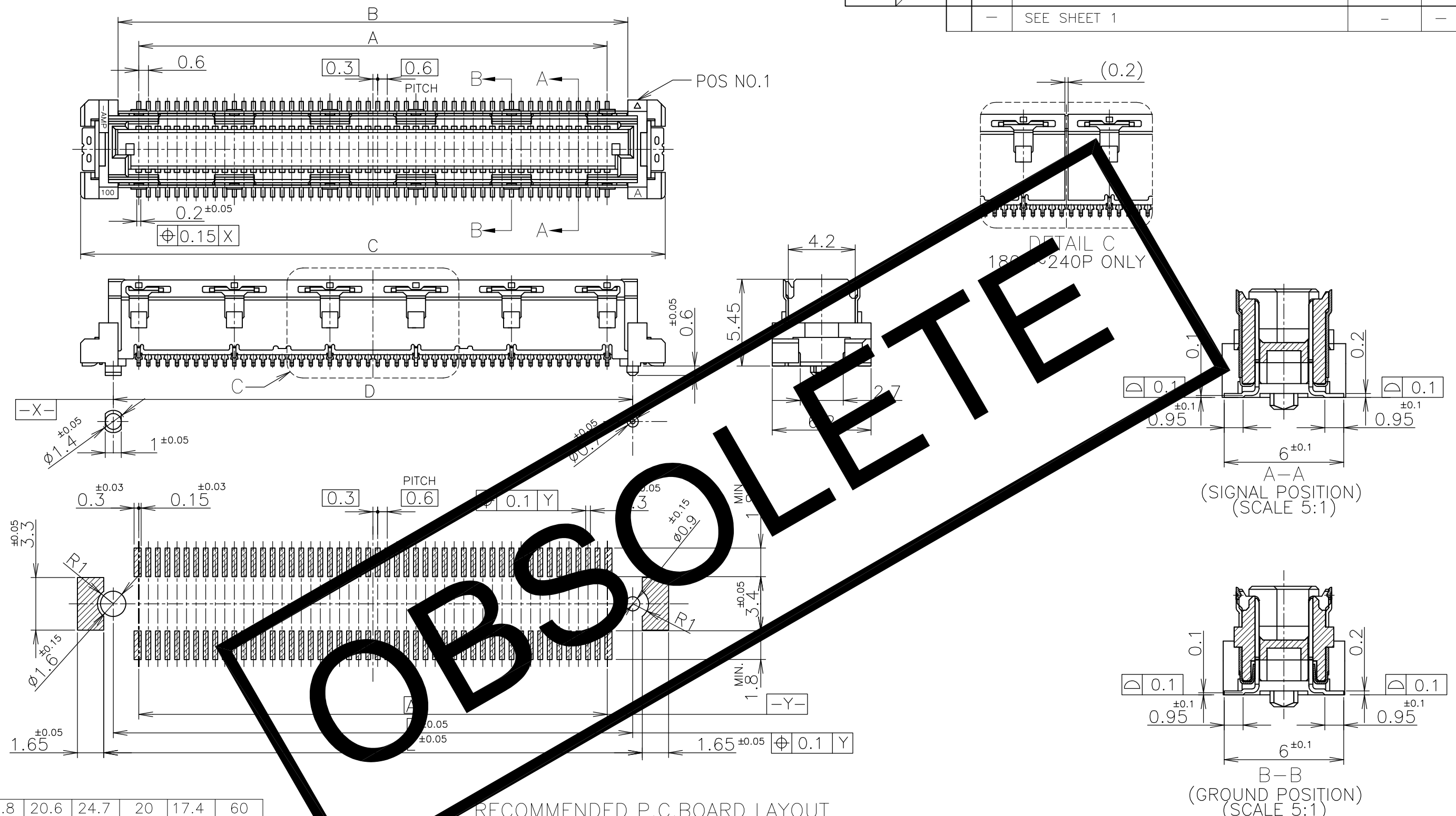
- ① THIS PRODUCT WAS COATED BY FLUX-PENETRATION -INHIDITING AGENT.
- ② HOUSING COLOR : NATURAL
- ③ HOUSING COLOR : BLACK

THIS DRAWING IS A CONTROLLED DOCUMENT.

DIMENSIONS: MM	TOLERANCES UNLESS OTHERWISE SPECIFIED:	DWN Y.NAKAZAWA 02APR2007	Tyco Electronics AMP K.K. Kawasaki,japan	
		CHK T.FUTATSUGI 02APR2007	NAME	
		APVD T.FUTATSUGI 02APR2007	EMBOSS ASSY	
		PRODUCT SPEC	FH 0.6BTB CONNECTOR	
		108-60047	PLUG 6H WITH G-PLATE AU-PLATED 0.00076mm	
		APPLICATION SPEC	SIZE	CAGE CODE
		114-5255	A3	00779
MATERIAL	FINISH	WEIGHT	DRAWING NO	RESTRICTED TO
			G-1981982	
CUSTOMER DRAWING		SCALE 1:1	SHEET 1 OF 3	REV D

THIS DRAWING IS UNPUBLISHED. RELEASED FOR PUBLICATION APR, 2007.
 © COPYRIGHT 2007 BY TYCO ELECTRONICS CORPORATION. ALL RIGHTS RESERVED.

LOC	DIST	REVISIONS					
J	/	P	LTR	DESCRIPTION	DATE	DWN	APVD
		-	-	SEE SHEET 1	-	-	-



RECOMMENDED P.C.BOARD LAYOUT

NOT AVAILABLE	21.8	20.6	24.7	20	17.4	60
AVAILABLE	51.8	50.6	54.7	50	47.4	160
NOT AVAILABLE	45.8	44.6	48.7	44	41.4	140
	39.8	38.6	42.7	38	35.4	120
	33.8	32.6	36.7	32	29.4	100
	30.8	29.6	33.7	29	26.4	90
	27.8	26.6	30.7	26	23.4	80
	24.8	23.6	27.7	23	20.4	70
	21.8	20.6	24.7	20	17.4	60
	19.8	17.6	21.7	17	14.4	50
	15.8	14.6	18.7	14	11.4	40
NOT AVAILABLE	12.8	11.6	15.7	11	8.4	30
TOOLING STATUS	E	D	C	B	A	POS

GENERAL TOLERANCE
 10 ≥ * : ±0.2
 30 ≥ * > 10 : ±0.25
 100 ≥ * > 30 : ±0.3
 ANGLES : ±3°

THIS DRAWING IS A CONTROLLED DOCUMENT.

DIMENSIONS: MM	TOLERANCES UNLESS OTHERWISE SPECIFIED:	DWN	-
	0 PLC ± -	CHK	-
	1 PLC ± -	APVD	-
	2 PLC ± -	PRODUCT SPEC	-
	3 PLC ± -	APPLICATION SPEC	-
	4 PLC ± -	WEIGHT	-
	ANGLES ± -		
	FINISH ± -		

MATERIAL: 4 FINISH: 5

Tyco Electronics Tyco Electronics AMP K.K. Kawasaki, Japan

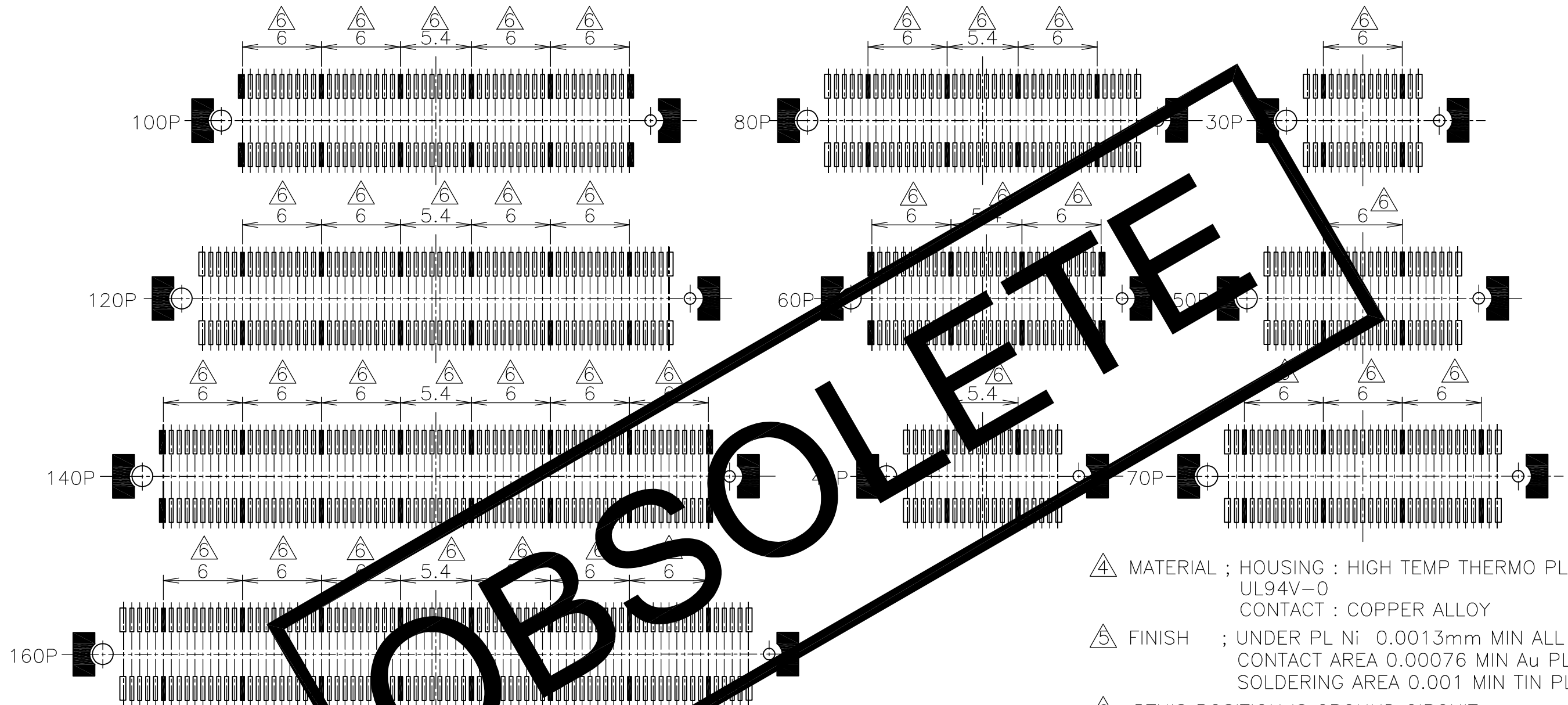
EMBOSS ASSY
 FH 0.6BTB CONNECTOR
 PLUG 6H WITH G-PLATE AU-PLATED 0.00076mm

SIZE	CAGE CODE	DRAWING NO	RESTRICTED TO
A3	00779	C-1981982	-

CUSTOMER DRAWING SCALE 4:1 SHEET 2 OF 3 REV D

THIS DRAWING IS UNPUBLISHED. RELEASED FOR PUBLICATION APR , 2007.
 © COPYRIGHT 2007 BY TYCO ELECTRONICS CORPORATION. ALL RIGHTS RESERVED.

LOC	DIST	REVISIONS					
J	/	P	LTR	DESCRIPTION	DATE	DWN	APVD
		-		SEE SHEET 1	-	-	-



OBSOLETE

- △ MATERIAL ; HOUSING : HIGH TEMP THERMO PLASTIC UL94V-0
CONTACT : COPPER ALLOY
- △ FINISH ; UNDER PL Ni 0.0013mm MIN ALL OVER.
CONTACT AREA 0.00076 MIN Au PL.
SOLDERING AREA 0.001 MIN TIN PL.
- △ THIS POSITION IS GROUND CIRCUIT.

GENERAL TOLERANCE
 10 ≥ * : ± 0.2
 30 ≥ * > 10 : ± 0.25
 100 ≥ * > 30 : ± 0.3
 ANGLES : ± 3°

THIS DRAWING IS A CONTROLLED DOCUMENT.		DWN	Tyco Electronics			Tyco Electronics AMP K.K.		
DIMENSIONS: MM		CHK	Kawasaki, japan			NAME		
TOLERANCES UNLESS OTHERWISE SPECIFIED:		APVD	EMBOSS ASSY			FH 0.6BTB CONNECTOR		
0 PLC ± -		PRODUCT SPEC	PLUG 6H WITH G-PLATE AU-PLATED 0.00076mm			RESTRICTED TO		
1 PLC ± -		APPLICATION SPEC	SIZE	CAGE CODE	DRAWING NO			
2 PLC ± -		WEIGHT	A3	00779	C-1981982			
3 PLC ± -		CUSTOMER DRAWING					SCALE	SHEET
4 PLC ± -							3:1	3 OF 3
ANGLES ± -							REV	D
FINISH ± -								