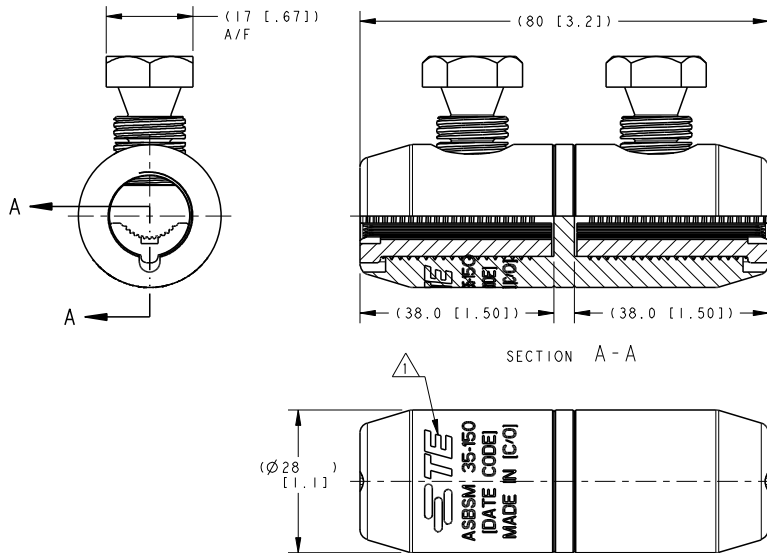


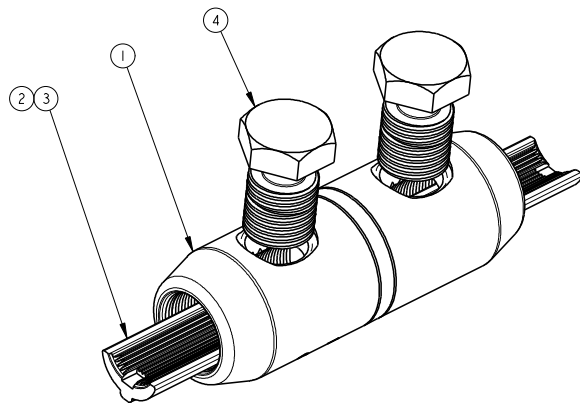
LOC	DIST	REVISIONS					
GA	I	P	LTR	DESCRIPTION	DATE	DWN	APVD
		A		INITIAL REL. PER LC20-0054-12	25MAY2012	DM	BJ



- MARKING:**  
**STE**  
 ASBSM 35-150  
 [DATE CODE]  
 MADE IN [COUNTRY OF ORIGIN]
- ALL DIMENSIONS ARE FOR REFERENCE ONLY.
  - CONNECTOR CONTAINS FACTORY APPLIED ANTI-OXIDE INHIBITOR.
  - FINISH: ELECTRO-TIN PLATED.
  - INSTALL BOLTS WITH 17 mm [11/16 INCH] HEX SOCKET.
  - DO NOT REMOVE INSERTS FROM THE CONNECTOR.

CONDUCTOR ACCOMMODATION		AL			CU		
		ROUND STRANDED	ROUND SOLID	SECTOR STRANDED	ROUND STRANDED	ROUND SOLID	SECTOR STRANDED
CONDUCTOR CROSS-SECTION	sqr mm	35-150	35-150	50-95	35-150	35-50	50-95
CONDUCTOR DIAMETER	mm	∅ 6.8-∅ 15.0	∅ 6.5-∅ 14.0	-	∅ 6.6-∅ 15.0	∅ 6.5-∅ 8.0	-

ASBSM 35-150	1974173-1
CATALOG NO.	PART NO.



1	INSTALLATION INSTRUCTION SHEET, 408-32055	6
1	ABRASIVE TAPE	5
2	MULTI SHEAR HEAD BOLT, M14, ALUMINUM ALLOY	4
A/R	INHIBITOR	3
2	INSERT, ALUMINUM ALLOY, TIN PLATED	2
1	CONNECTOR SLEEVE BODY, ALUMINUM ALLOY, TIN PLATED	1
-1	DESCRIPTION	ITEM NO
QTY	PARTS LIST	

THIS DRAWING IS A CONTROLLED DOCUMENT.		DWN	25MAY2012	TE Connectivity	
DIMENSIONS: mm [INCH]		CHK	28MAY2012		
TOLERANCES UNLESS OTHERWISE SPECIFIED:		APVD	04 JUN 2012		
0 PLC ± 1 PLC ± 2 PLC ± 3 PLC ± 4 PLC ± ANGLES ±		NAME	B JOHNSON		
MATERIAL		PRODUCT SPEC		NAME	SHEARBOLT SLEEVE CONNECTOR, ALUMINUM, SOLID OIL STOP, 35-150 SQR MM
SEE BOM		APPLICATION SPEC		SIZE	CAGE CODE DRAWING NO
SEE BOM		FINISH		WEIGHT	0.112
CUSTOMER DRAWING		SCALE	NTS	SHEET	1 OF 1
		REV	A		