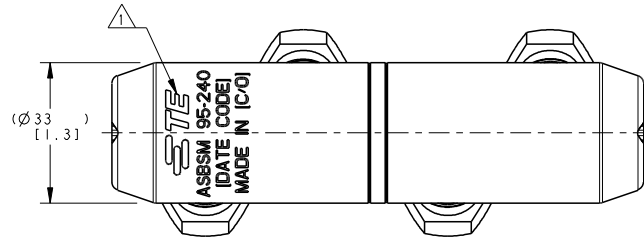
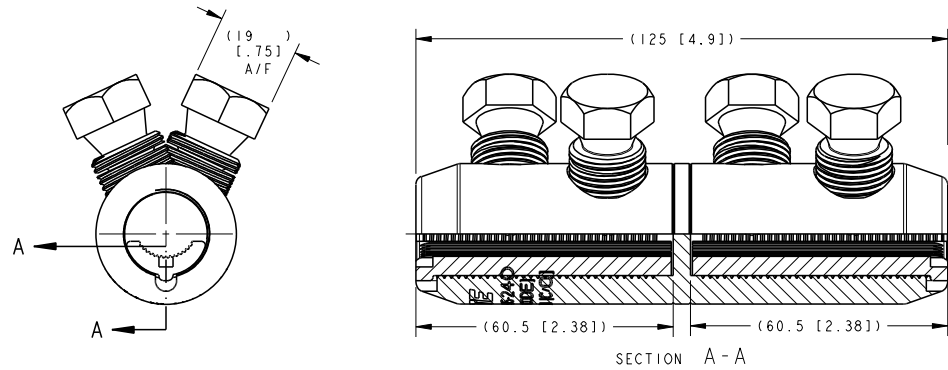


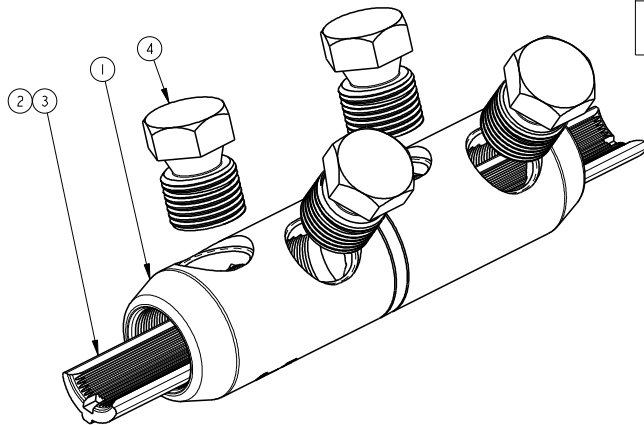
LOC	DIST	REVISIONS					
GA	I	P	LTR	DESCRIPTION	DATE	DWN	APVD
		A		INITIAL REL. PER LC20-0053-12	18MAY2012	DM	BJ



- MARKING:
STE
 ASBSM 95-240
 [DATE CODE]
 MADE IN [COUNTRY OF ORIGIN]
- ALL DIMENSIONS ARE FOR REFERENCE ONLY.
 - CONNECTOR CONTAINS FACTORY APPLIED ANTI-OXIDE INHIBITOR.
 - FINISH: ELECTRO-TIN PLATED.
 - INSTALL BOLTS WITH 19 mm [3/4 INCH] HEX SOCKET.

CONDUCTOR ACCOMMODATION	AL			CU	
	ROUND STRANDED	ROUND SOLID	SECTOR STRANDED	ROUND STRANDED	SECTOR STRANDED
CONDUCTOR CROSS-SECTION, [sqr mm]	70-240	95-300	95-150 (185 W/ ROUNDING)	70-240	95-150 (185 W/ ROUNDING)
CONDUCTOR DIAMETER, [mm]	∅9.3-∅19.2	∅10.5-∅19	-	∅9.3-∅19.2	-

ASBSM 95-240	1974171-1
CATALOG NO.	PART NO.



QTY	DESCRIPTION	ITEM NO
1	INSTALLATION INSTRUCTION SHEET, 408-32055	6
1	ABRASIVE TAPE	5
4	MULTI SHEAR HEAD BOLT, M18, ALUMINUM ALLOY	4
A/R	INHIBITOR	3
2	INSERT, ALUMINUM ALLOY, TIN PLATED	2
1	CONNECTOR SLEEVE BODY, ALUMINUM ALLOY, TIN PLATED	1
-1	DESCRIPTION	ITEM NO
PARTS LIST		

THIS DRAWING IS A CONTROLLED DOCUMENT.

DIMENSIONS: mm [INCH]	TOLERANCES UNLESS OTHERWISE SPECIFIED:	DWN D. MURUGU 18MAY2012	APVD A. BULZA 28MAY2012	NAME SHEARBOLT SLEEVE CONNECTOR, ALUM, SOLID OIL STOP, 95-240 SOR MM
0 PLC ±	ANGLES ±	CHK A. BULZA 28MAY2012	APVD B. JOHNSON 01JUN2012	SIZE A2
1 PLC ±		PRODUCT SPEC	APPLICATION SPEC	CAGE CODE A200779
2 PLC ±				DRAWING NO 1974171
3 PLC ±				RESTRICTED TO
4 PLC ±				
MATERIAL SEE BOM	FINISH SEE BOM	WEIGHT 0.255 kg	SCALE NTS	SHEET 1 OF 1

CUSTOMER DRAWING