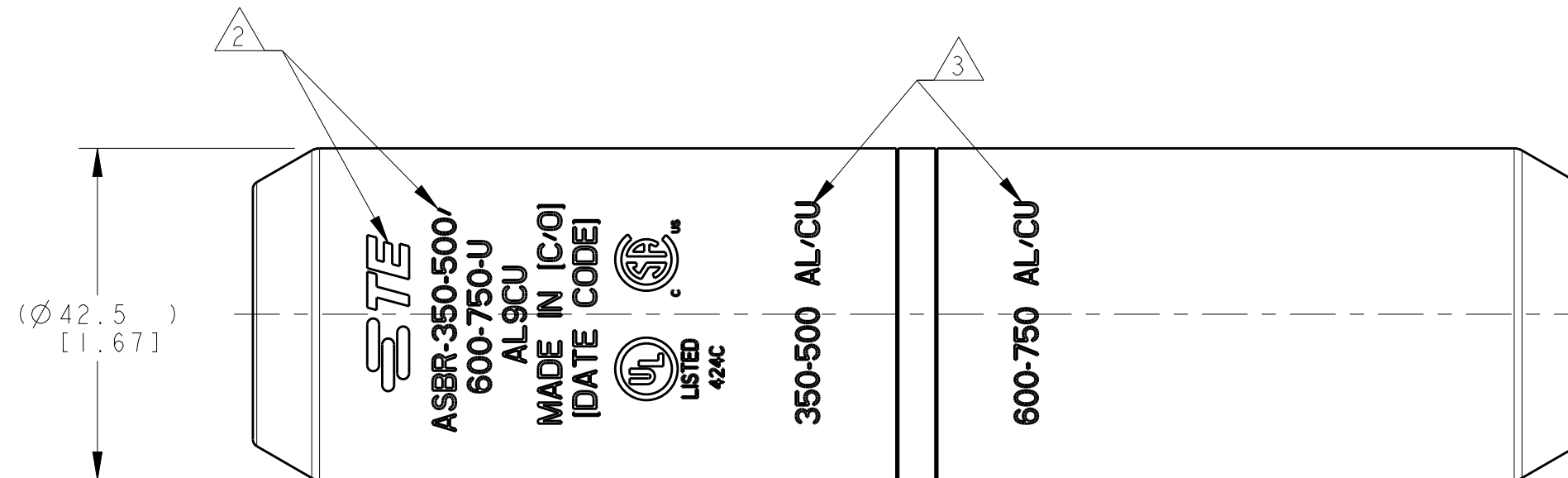
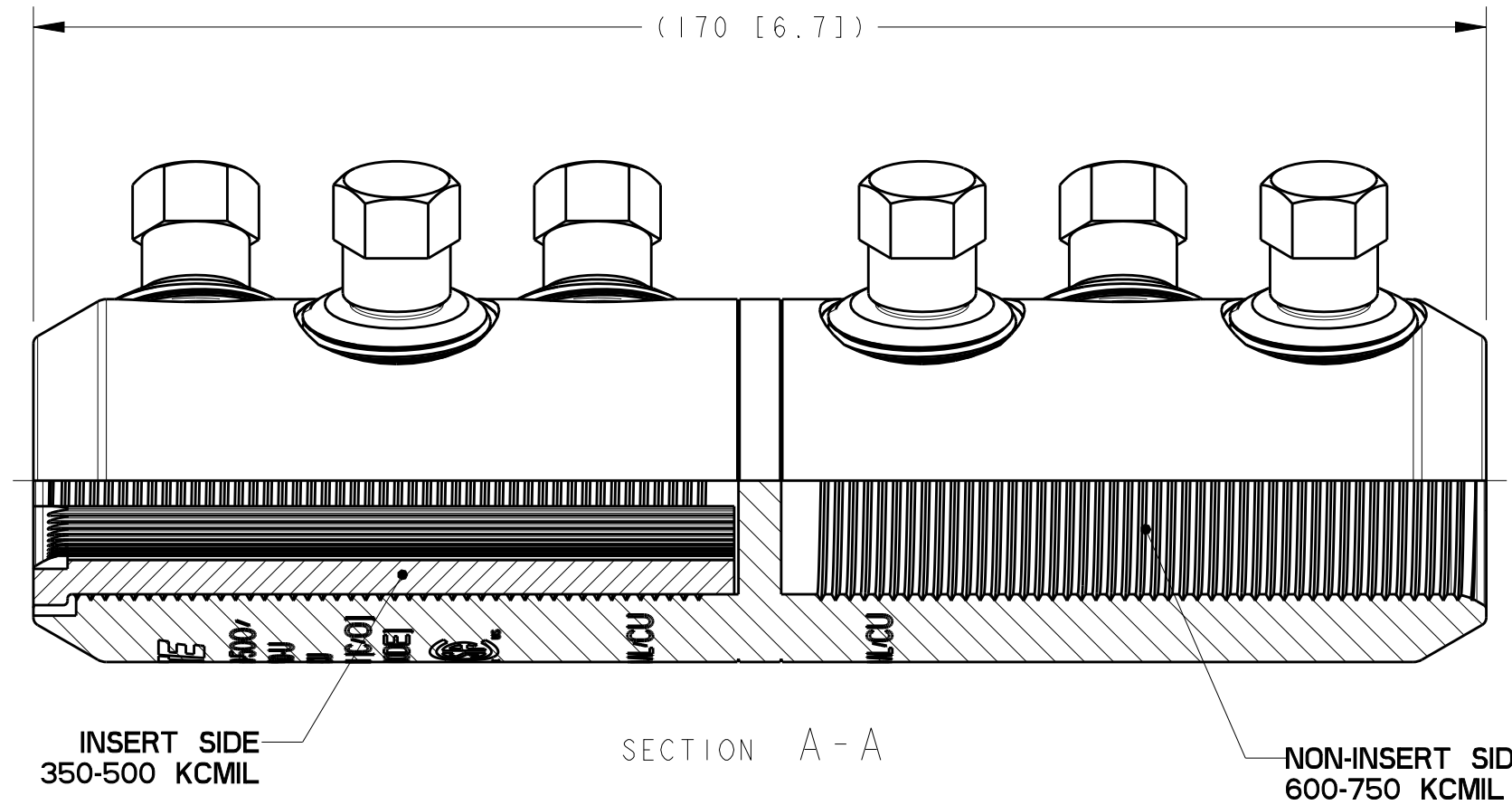
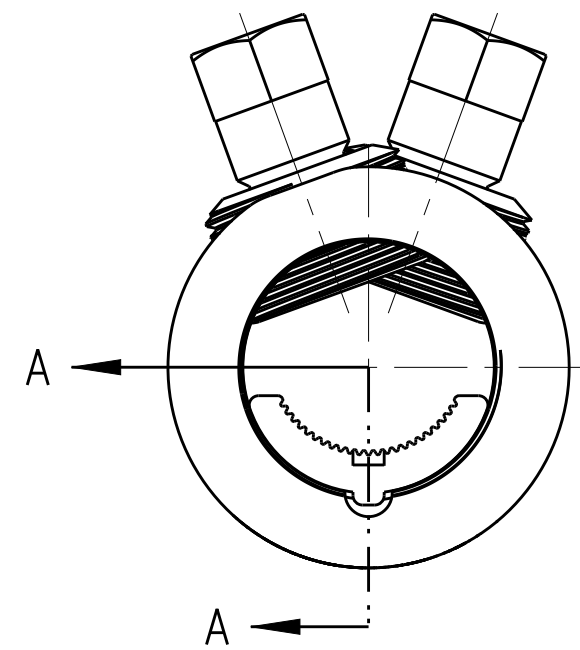


REVISIONS				
P	LTR	DESCRIPTION	DATE	APVD
B		LC20-0021-12 / ECO-12-004172	27FEB2012	DM BJ
C		LC20-0006-14 / ECO-14-007529	14MAY2014	DM BJ
CI		LC20-0018-20 / ECO-20-001561	03FEB2020	DM BJ
D		LC20-0081-20 / ECO-20-011175	07AUG2020	DM BJ

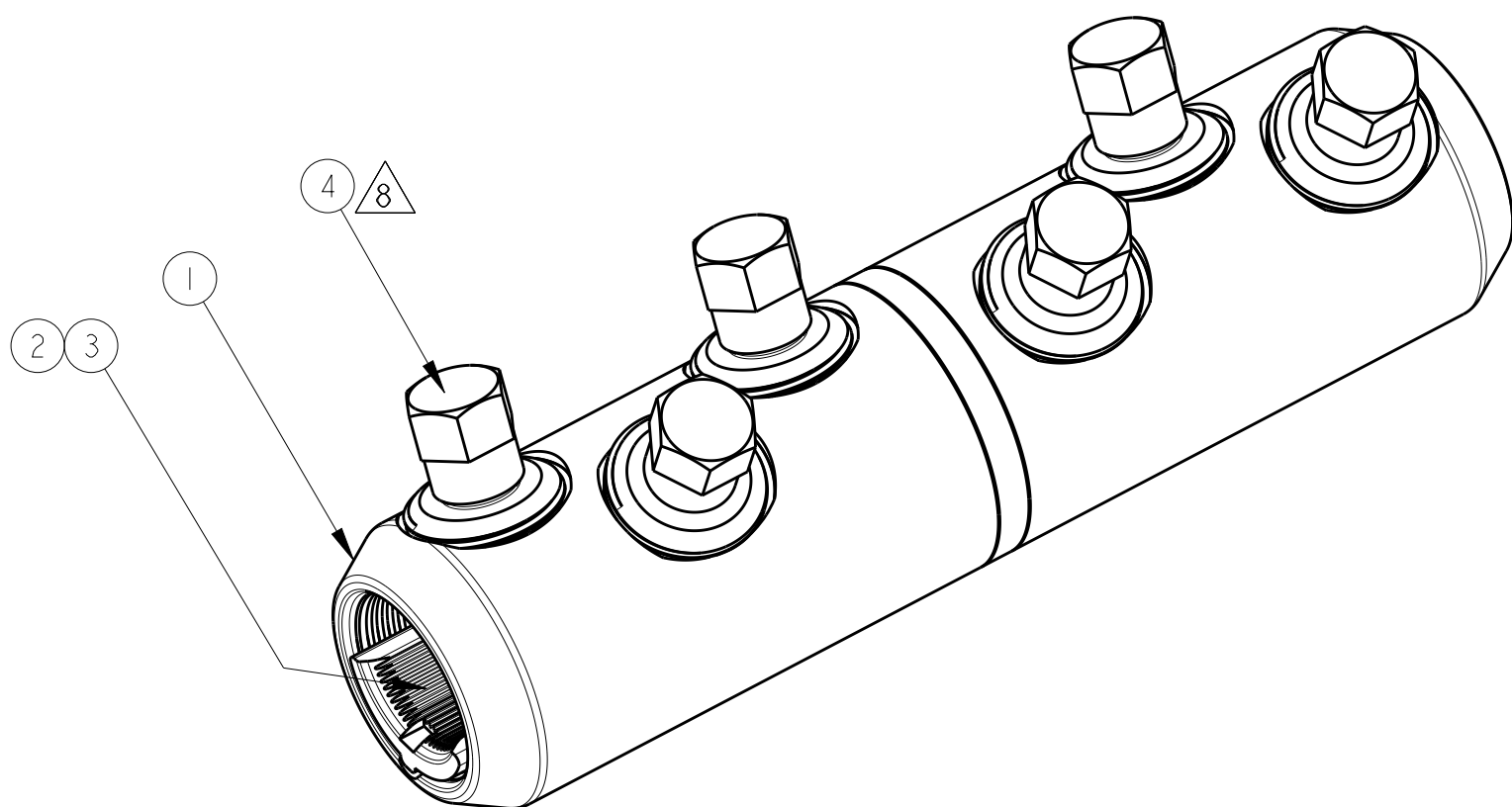


- ACCOMMODATES:  
 INSERT SIDE:  
 350 KCMIL COMPACT Ø15.65 (.616 DIA) TO  
 500 KCMIL STANDARD Ø20.65 (.813 DIA)  
 ALUMINUM OR COPPER CONDUCTORS.  
  
 NON-INSERT SIDE:  
 600 KCMIL COMPACT Ø20.65 (.813 DIA) TO  
 750 KCMIL STANDARD Ø25.35 (.998 DIA)  
 ALUMINUM OR COPPER CONDUCTORS.

2 MARKING:  
**STE**  
 ASBR 350-500/  
 600-750-U  
 AL9CU  
 MADE IN [COUNTRY OF ORIGIN]  
 [DATE CODE]



- MARKING:  
 350-500 AL/CU  
 600-750 AL/CU
- ALL DIMENSIONS ARE FOR REFERENCE ONLY.
- CONNECTOR CONTAINS FACTORY APPLIED ANTI-OXIDE INHIBITOR.
- FINISH:  
 ELECTRO-TIN PLATED.
- DO NOT REMOVE INSERT FROM THE CONNECTOR.
- INSTALL BOLTS WITH 13 mm [1/2 inch] HEX SOCKET.



ASBR-350-500/600-750-U	1974146-1
CATALOG NO	PART NO

QTY	DESCRIPTION	ITEM NO
1	INSTALLATION INSTRUCTION SHEET, 408-32279	6
1	ABRASIVE TAPE	5
6	MULTI SHEAR HEAD BOLT, M22 SIZE, ALUMINUM ALLOY	4
A/R	INHIBITOR	3
1	INSERT, ALUMINUM ALLOY, TIN PLATED	2
1	CONNECTOR SLEEVE BODY, ALUMINUM ALLOY, TIN PLATED	1
-1		
PARTS LIST		

THIS DRAWING IS A CONTROLLED DOCUMENT.		DWN 19DEC2011 D. MURUGLAH	<b>STE</b> TE Connectivity	
DIMENSIONS: mm [INCH]		CHK 07FEB2012 A. BULZA		
TOLERANCES UNLESS OTHERWISE SPECIFIED: 0 PLC ± 1 PLC ± 2 PLC ± 3 PLC ± 4 PLC ± ANGLES ± FINISH		APVD 07FEB2012 B. JOHNSON	NAME SHEARBOLT REDUCER SLEEVE CONN, ALUM, SOLID OIL STOP, 600-750 KCMIL TO 350-500 KCMIL	
MATERIAL SEE BOM		PRODUCT SPEC -	SIZE A2	CAGE CODE 00779
		APPLICATION SPEC -	DRAWING NO C-1974146	RESTRICTED TO
		WEIGHT -	SCALE 5:4	SHEET 1 OF 1
		CUSTOMER DRAWING	REV D	