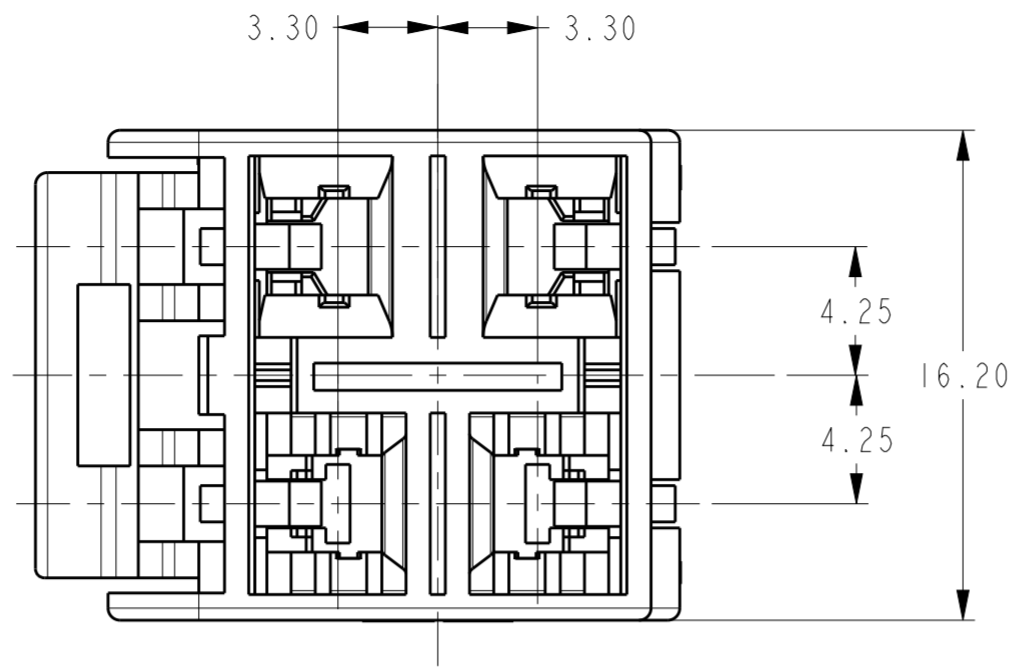


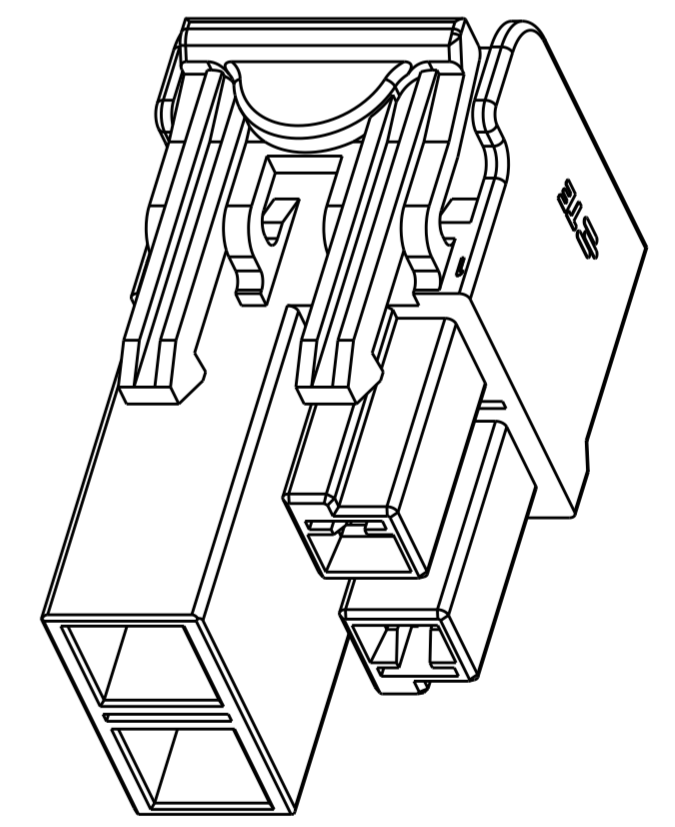
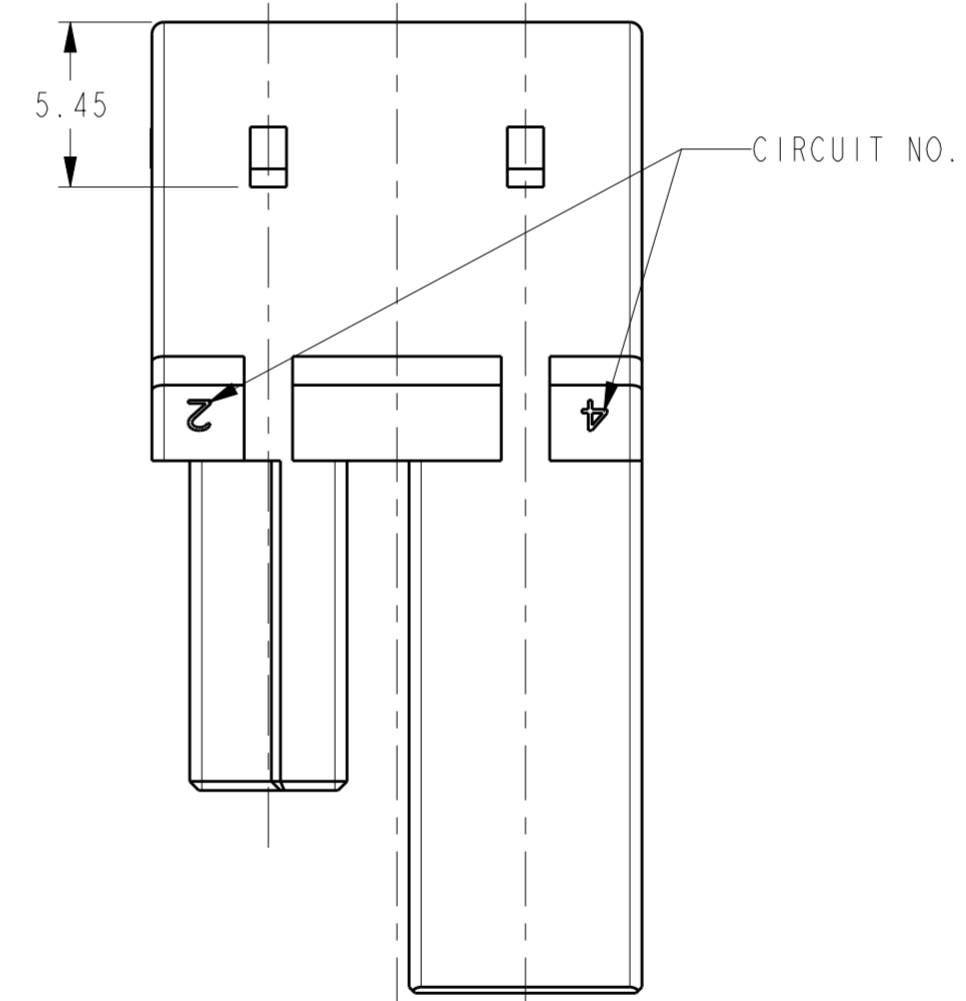
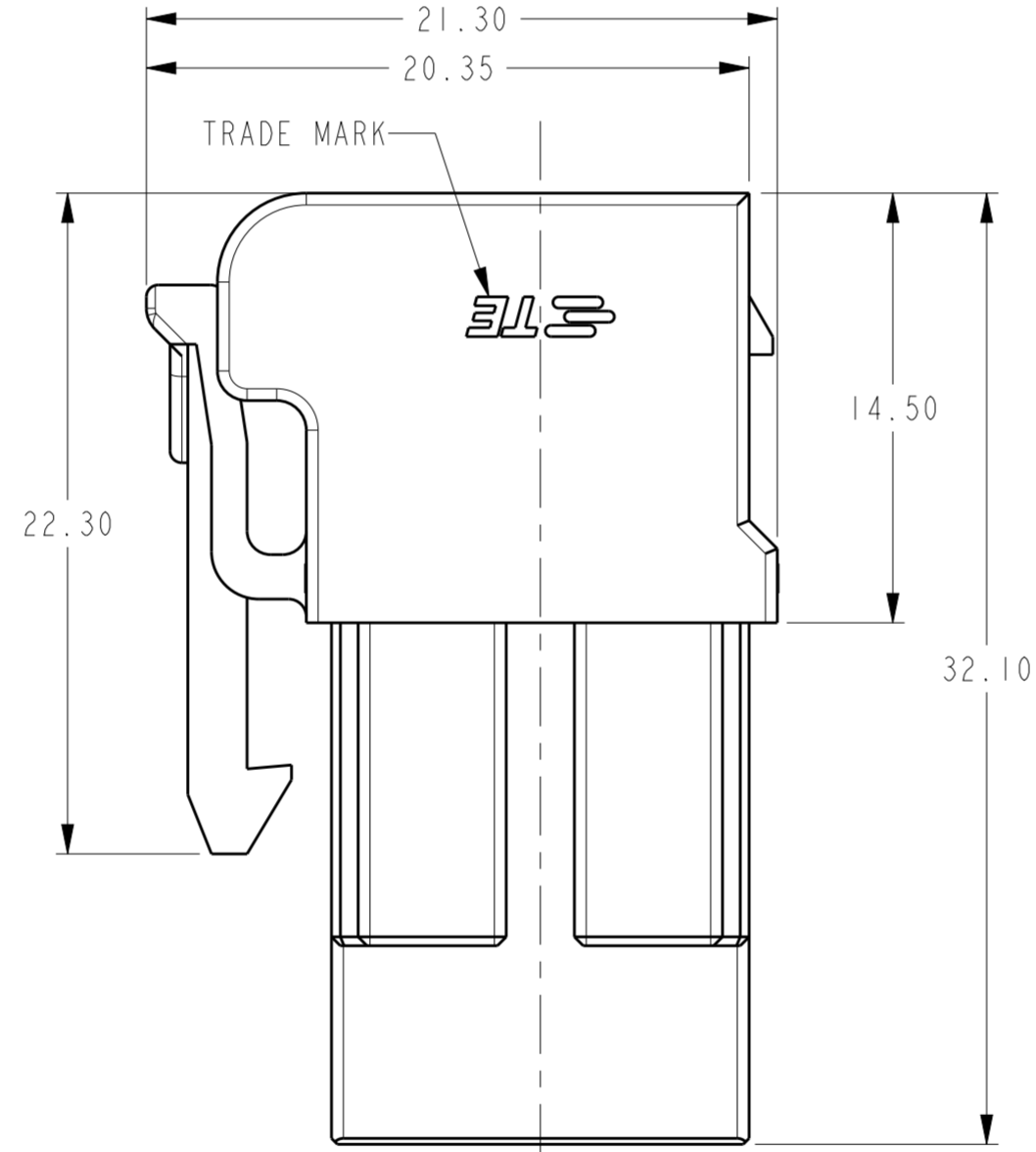
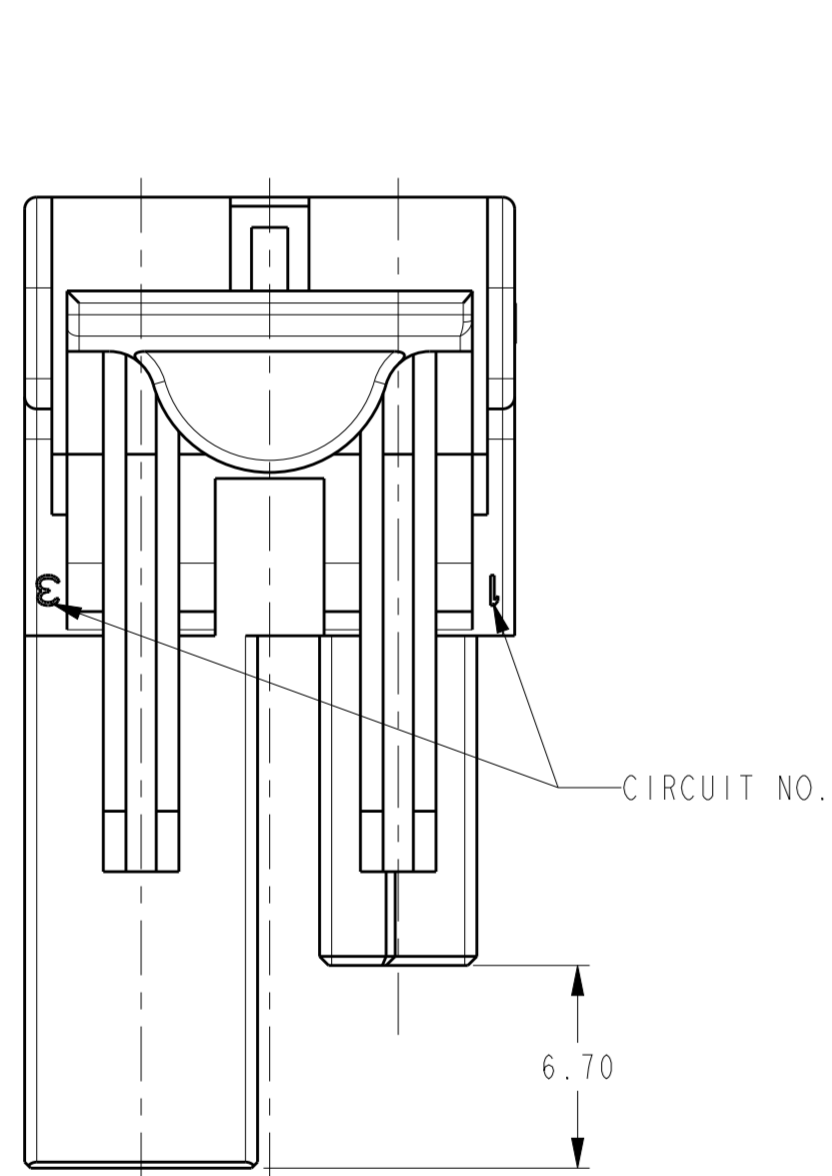
THIS DRAWING IS UNPUBLISHED. RELEASED FOR PUBLICATION 20
 © COPYRIGHT 20 BY - ALL RIGHTS RESERVED.

LOC		DIST		REVISIONS			
P	LTR	DESCRIPTION		DATE	DWN	APVD	
A4		REVISED PER ECR-19-003481		17JUN2019	N.L	D.Z	
B		REVISED PER ECR-19-015245		01OCT2019	M.G	D.Z	



NOTE

- 1 MATERIAL: THERMOPLASTIC, UL94 V-0, COLOR: BLACK
- 2 PRODUCT SPEC: 108-106071
- 3 APPLICABLE CONTACT P/N:
 TAB CONTACT: 1983661/2-1
 REC CONTACT: 1983663/4-1
- 4 MATING CONN. P/N:
 HSG: 1971884-1
- 5 APPLICABLE DOUBLE LOCK PLATE P/N: 1983666-1
- 6. PRODUCT COMPLY WITH GLOW WIRE REQUIREMENTS FOR PARTS OF NON-METALLIC MATERIAL SUPPORTING A CURRENT-CARRYING CONNECTION DETAILED IN IEC 60335-1, SECTION 30 (GWT).



500PCS/BAG	3-1971883-1
1000PCS/BAG	1971883-1
UNIT PKG QTY(PCS)	PART NO.

THIS DRAWING IS A CONTROLLED DOCUMENT.		DWN HAPYE WU 15FEB2012	TE Connectivity			
DIMENSIONS: mm		CHK HAPYE WU 15FEB2012				
TOLERANCES UNLESS OTHERWISE SPECIFIED:		APVD ERIC KONG 15FEB2012				
0 PLC ± 1 PLC ± 2 PLC ±0.30 3 PLC ± 4 PLC ± ANGLES ±2° FINISH		NAME 4P HOUSING(HIGH VOLTAGE) MULTI 6P CONNECTOR				
MATERIAL		PRODUCT SPEC 108-106071	SIZE A2	CAGE CODE 00779	DRAWING NO. C-1971883	RESTRICTED TO
		APPLICATION SPEC 114-106071	SCALE 4:1		SHEET 1 OF 1	REV B
		WEIGHT -	RESTRICTED CUSTOMER			