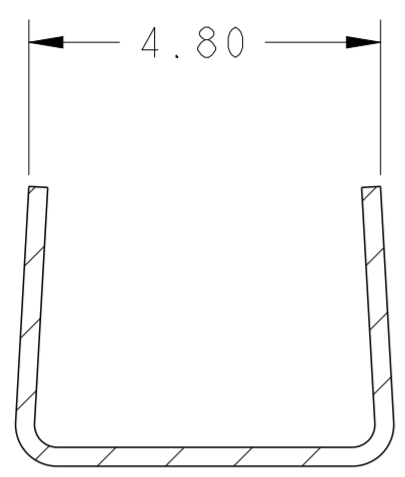
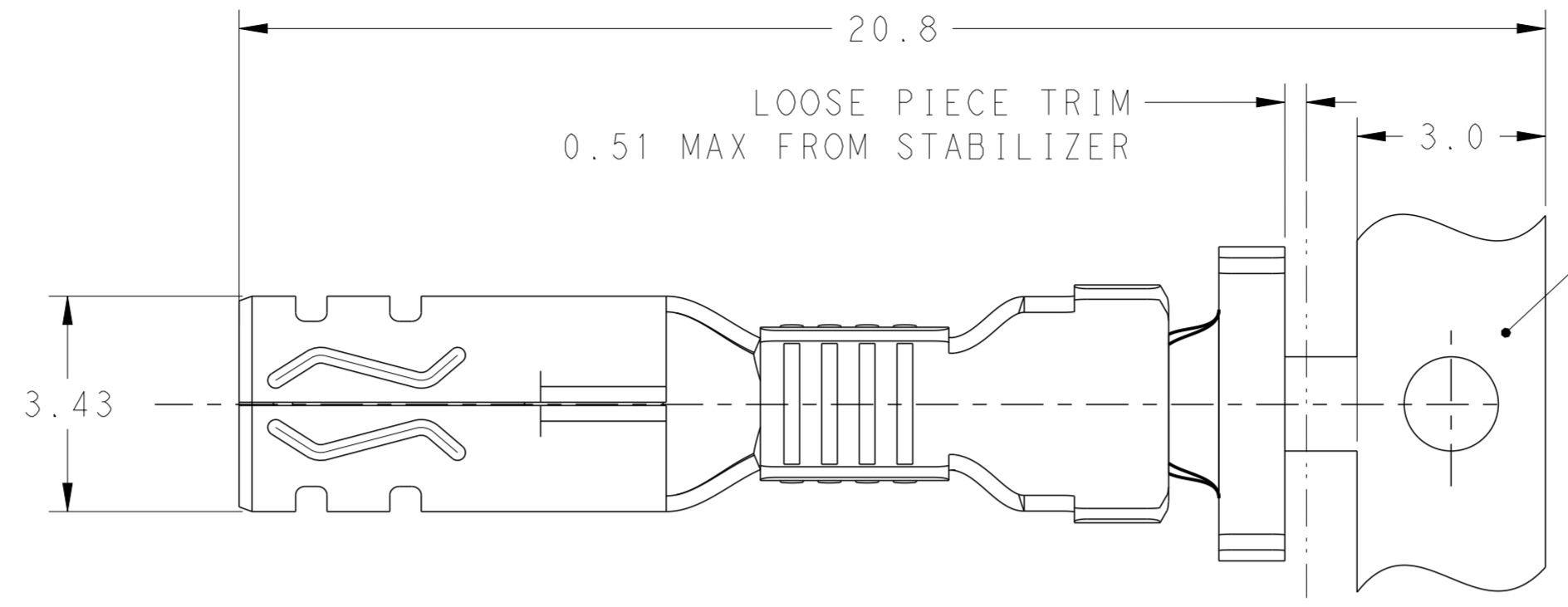


THIS DRAWING IS UNPUBLISHED. RELEASED FOR PUBLICATION 20
 © COPYRIGHT 20 BY - ALL RIGHTS RESERVED.

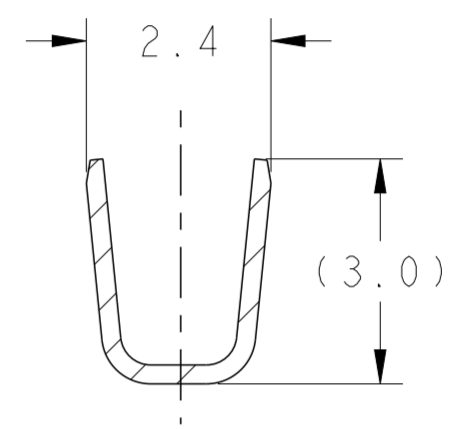
LOC		DIST		REVISIONS			
P	LTR	DESCRIPTION	DATE	DWN	APVD		
E		REVISED PER ECR-21-100678	08APR2021	SS	VS		
F		REVISED PER ECR-23-182543	27JUL2023	SKR	DS		



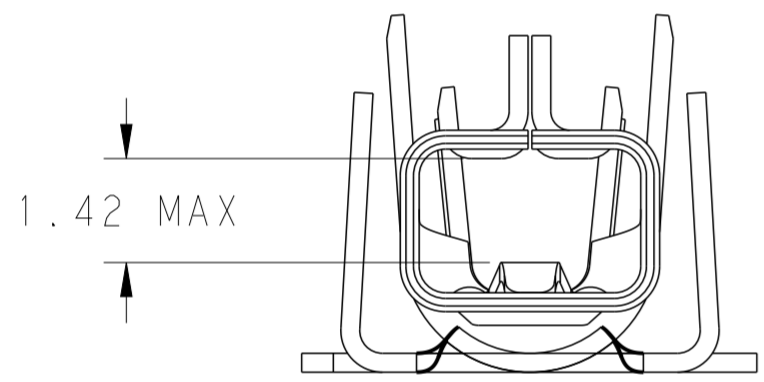
SECTION E-E



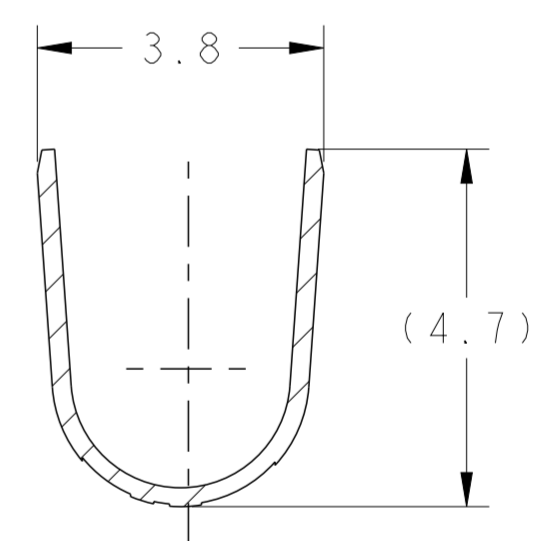
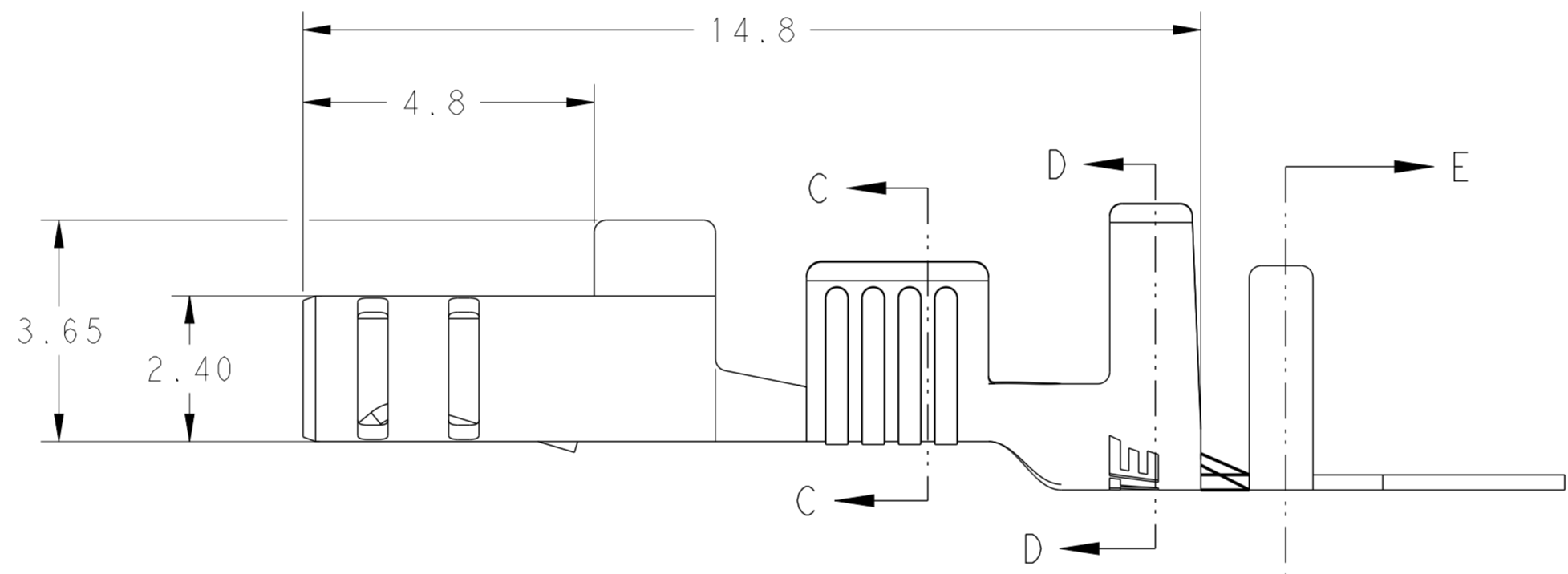
CARRIER NOT PRESENT ON LOOSE PIECE



SECTION C-C

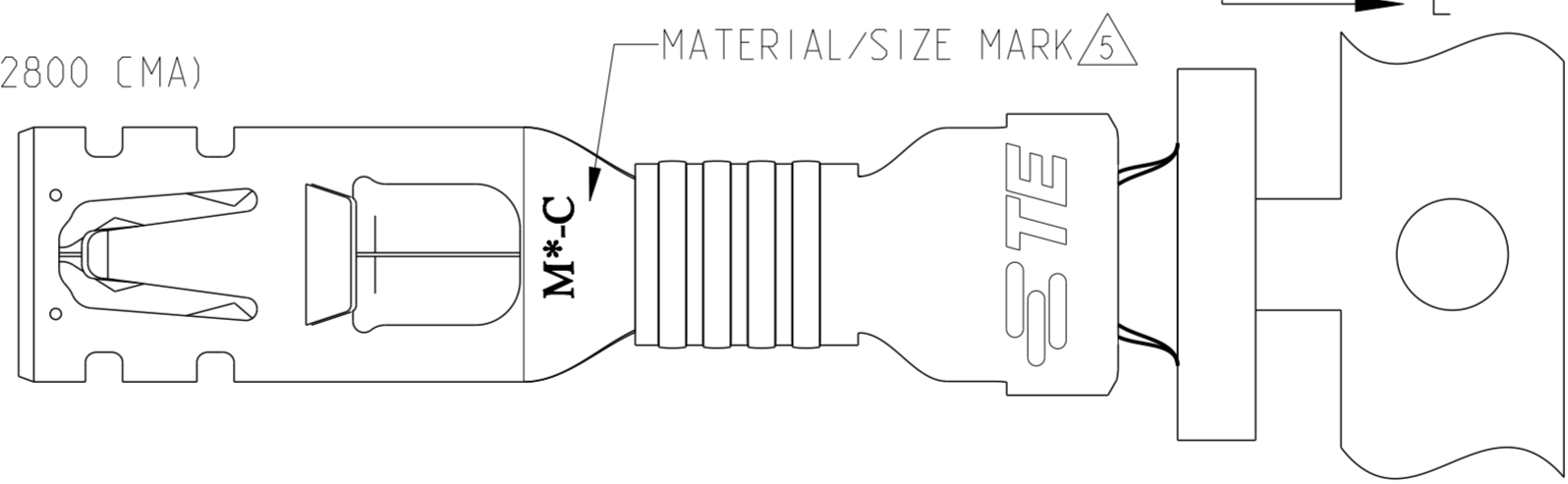


1.42 MAX



SECTION D-D

- RECOMMENDED WIRE RANGE: 16~19AWG COPPER STRANDED(1300-2800 CMA) OR 2x 22AWG COPPER STRANDED (1300-2800 CMA TOTAL). FOR A #19 AWG WIRE THE RECOMMENDED MINIMUM CROSS-SECTIONAL AREA IS 0.65mm² (1300 CMA).
- FOR WIRE WITH AN AREA/CMA SMALLER THAN INDICATED ABOVE, RECEPTACLE 1971785-() IS RECOMMENDED.
- APPLICABLE INSULATION DIAMETER: 2.40~3.30mm. 1.80~3.30mm(2.0 mm MAX EACH WIRE FOR 2x 22AWG) WHEN AN OVERLAP INSULATION APPLICATOR IS USED.
- APPLICABLE MATED PLUG HOUSING P/N:
 -1971773-/*-1971776-*/*-1971876-*/
 -2232265-/*-2232266-*/*-2232357-*



△ WIRE SIZE INDICATOR C=16-19, 2x22 AWG

LOOSE PIECE	COPPER ALLOY	HIGH (150°C)	M0-C	4-1971783-2
CONTINUOUS W CARRIER	COPPER ALLOY	HIGH(150°C)	M0-C	1971783-2
CONTINUOUS W CARRIER	PHOS BRONZE	STANDARD(105°C)	M1-C	1971783-1
CONFIGURATION	MATERIAL	TEMP. RATING	△ MATERIAL/SIZE MARK	PART NO

THIS DRAWING IS A CONTROLLED DOCUMENT.

DIMENSIONS: mm	TOLERANCES UNLESS OTHERWISE SPECIFIED:	DWN TOMMY WU 11JUL2012	 TE Connectivity RECEPTACLE CONTACT POWER TRIPLE LOCK
	0 PLC ± 0.5	CHK HAPYE WU 11JUL2012	
	1 PLC ± 0.30	APVD YUHONG MAO 11JUL2012	
	2 PLC ± 0.30	NAME	
MATERIAL	FINISH	PRODUCT SPEC 108-106118	SIZE CAGE CODE DRAWING NO RESTRICTED TO
SEE TABLE	PRE-TIN	APPLICATION SPEC 114-106118	A2 00779 C-1971783
		WEIGHT	SCALE 6:1 SHEET 1 OF 1 REV F
		Customer Drawing	