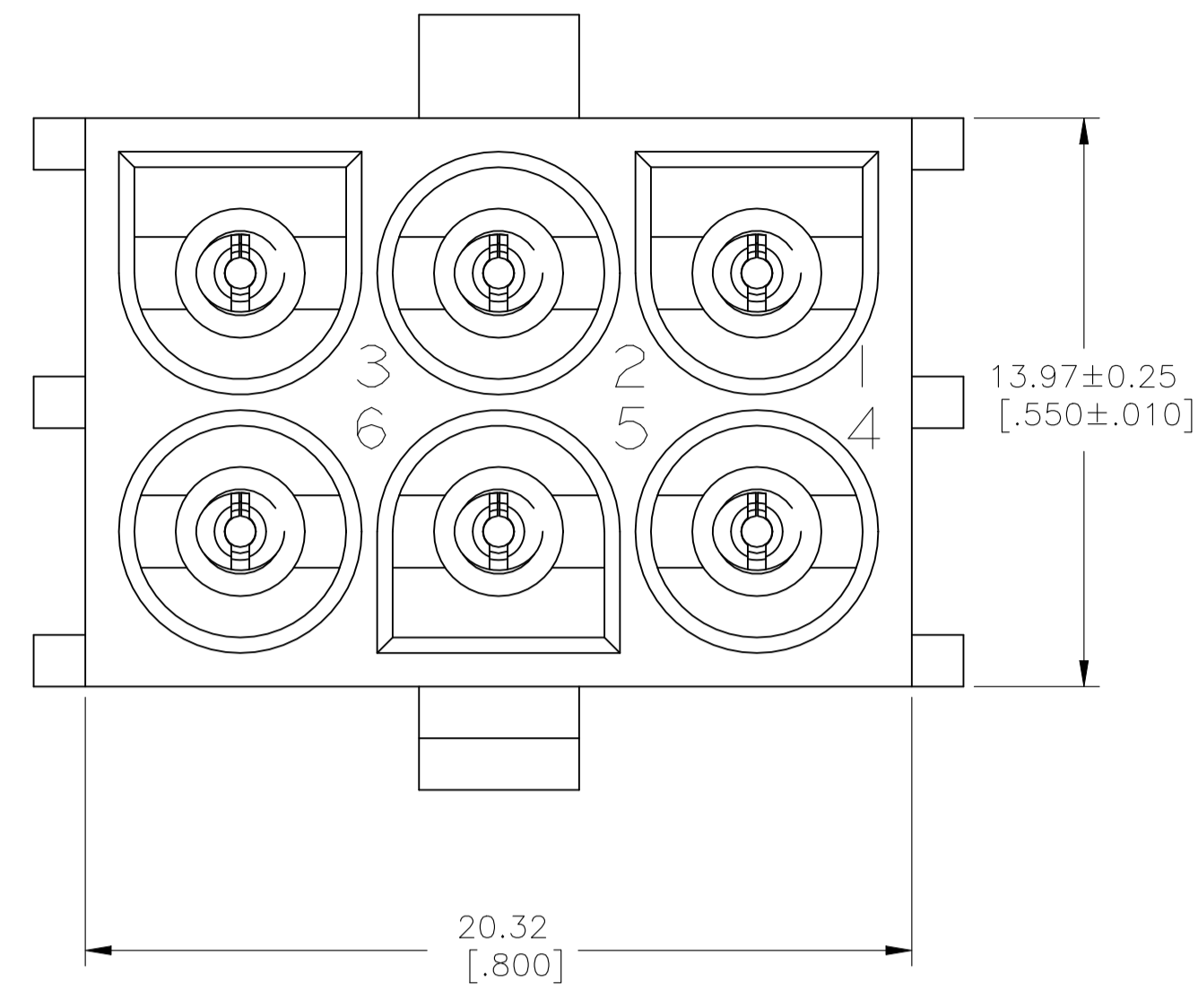
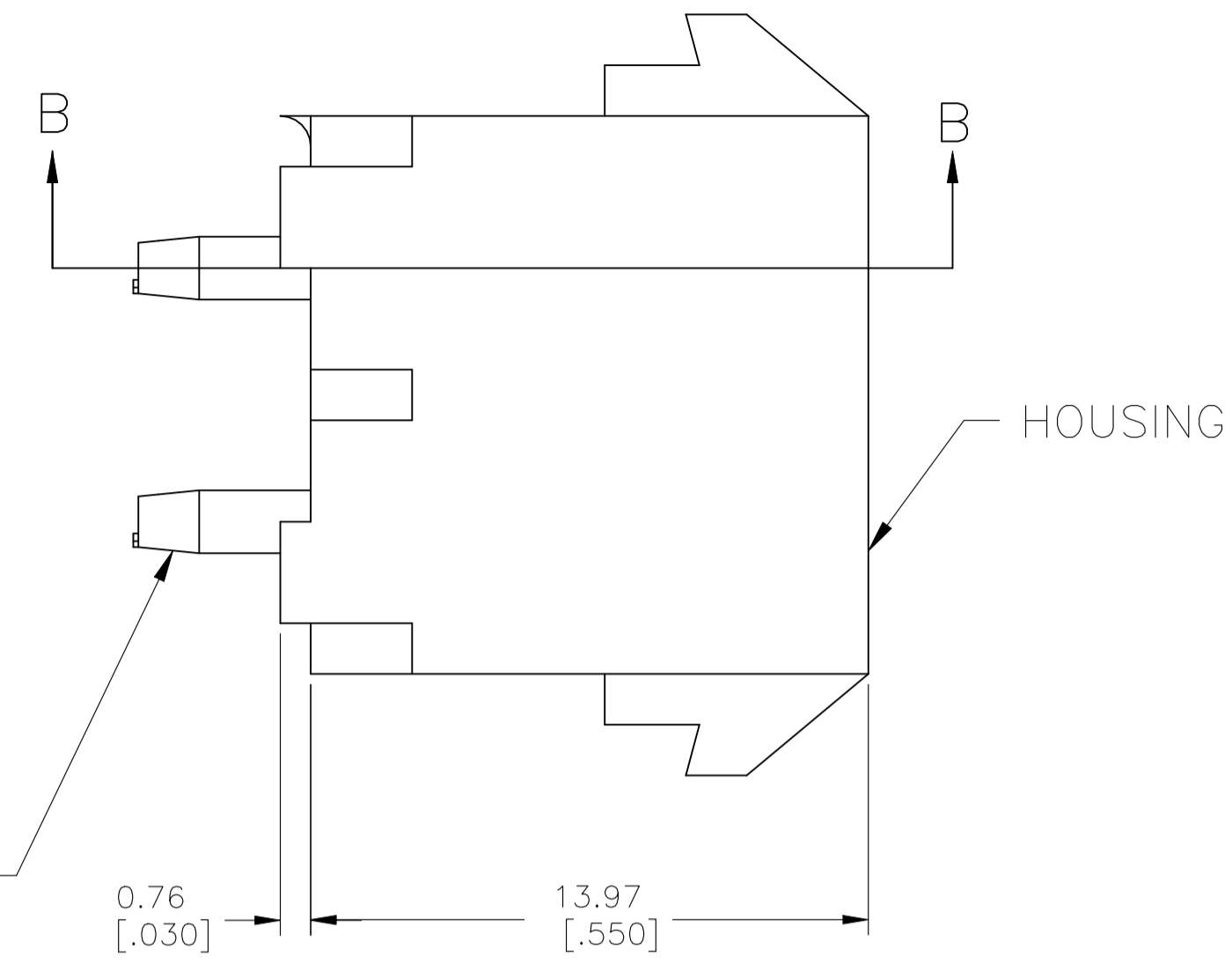
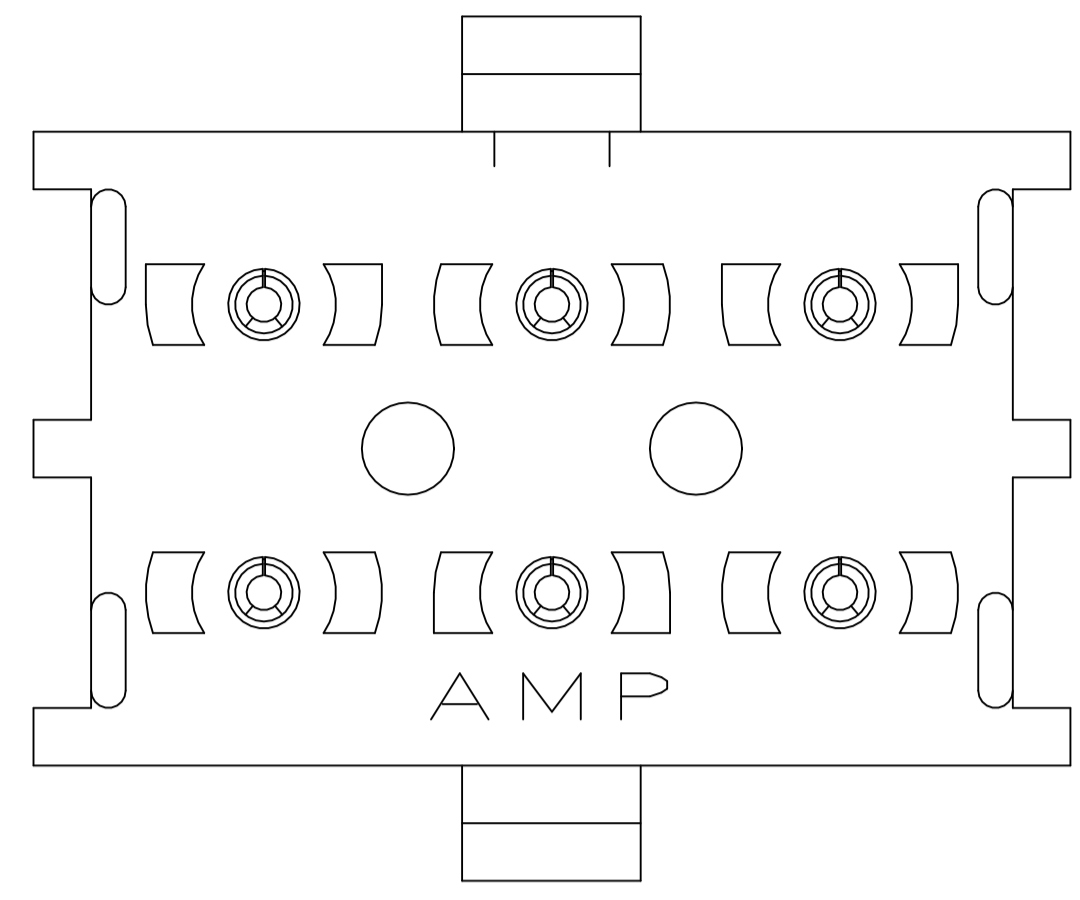
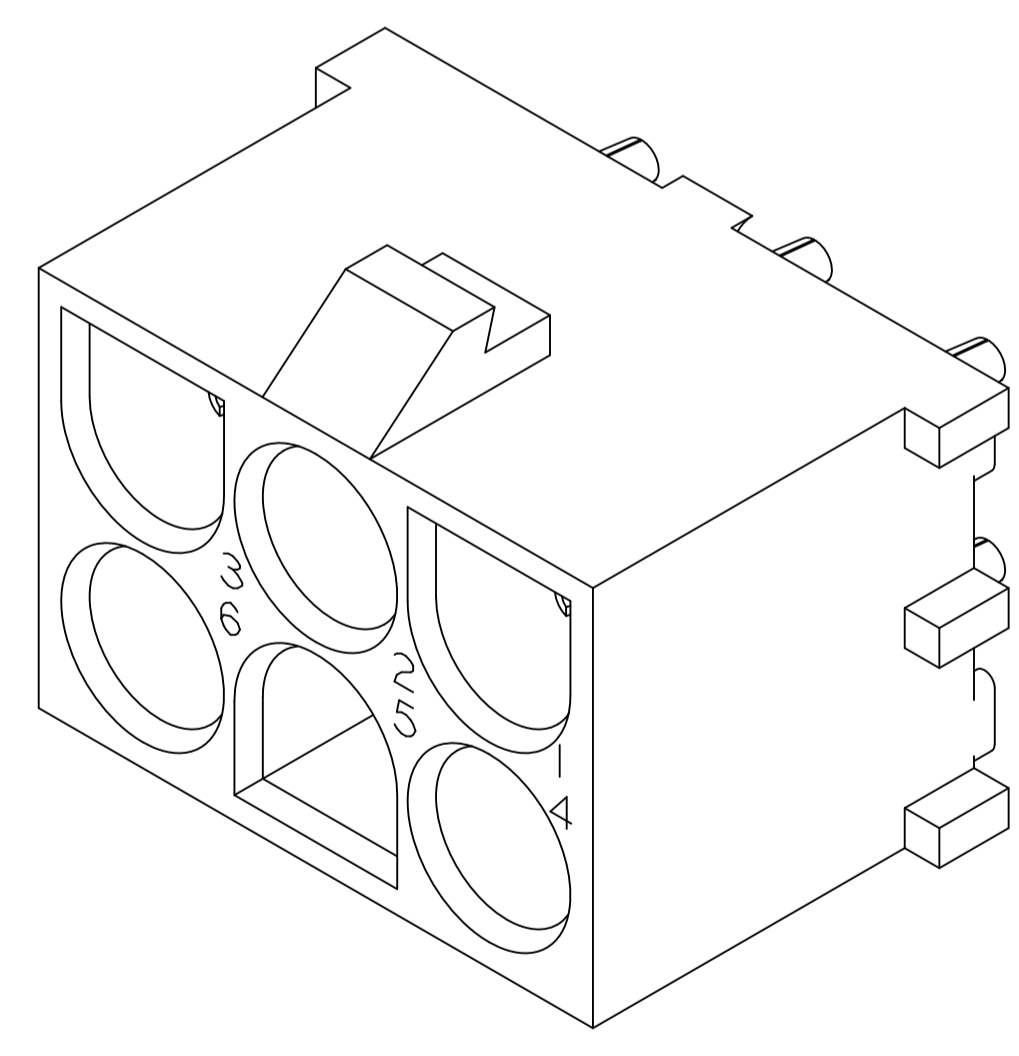
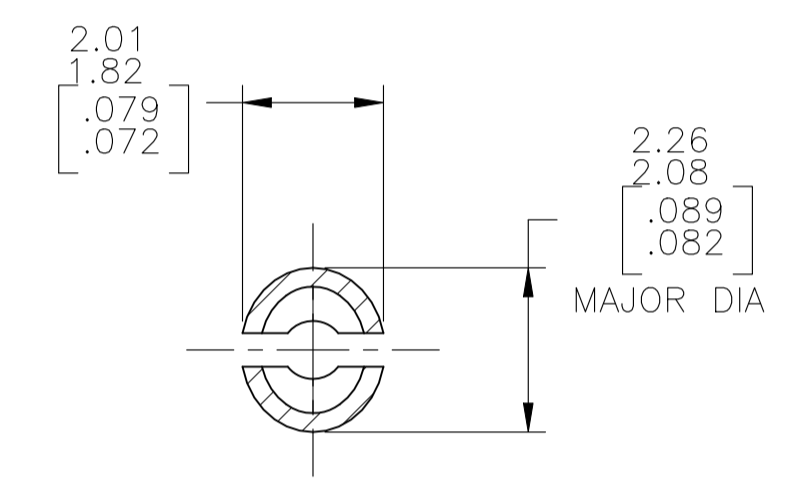
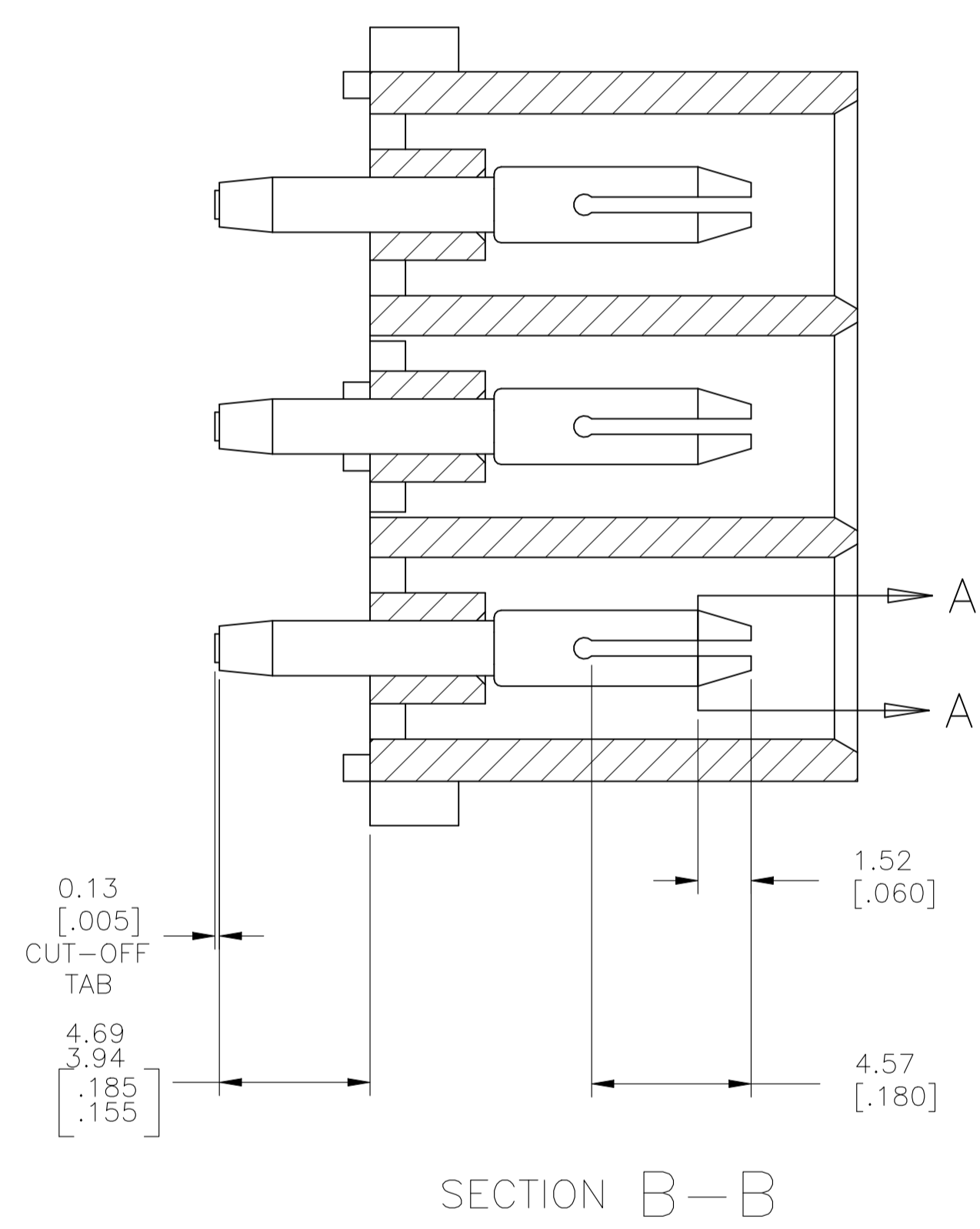


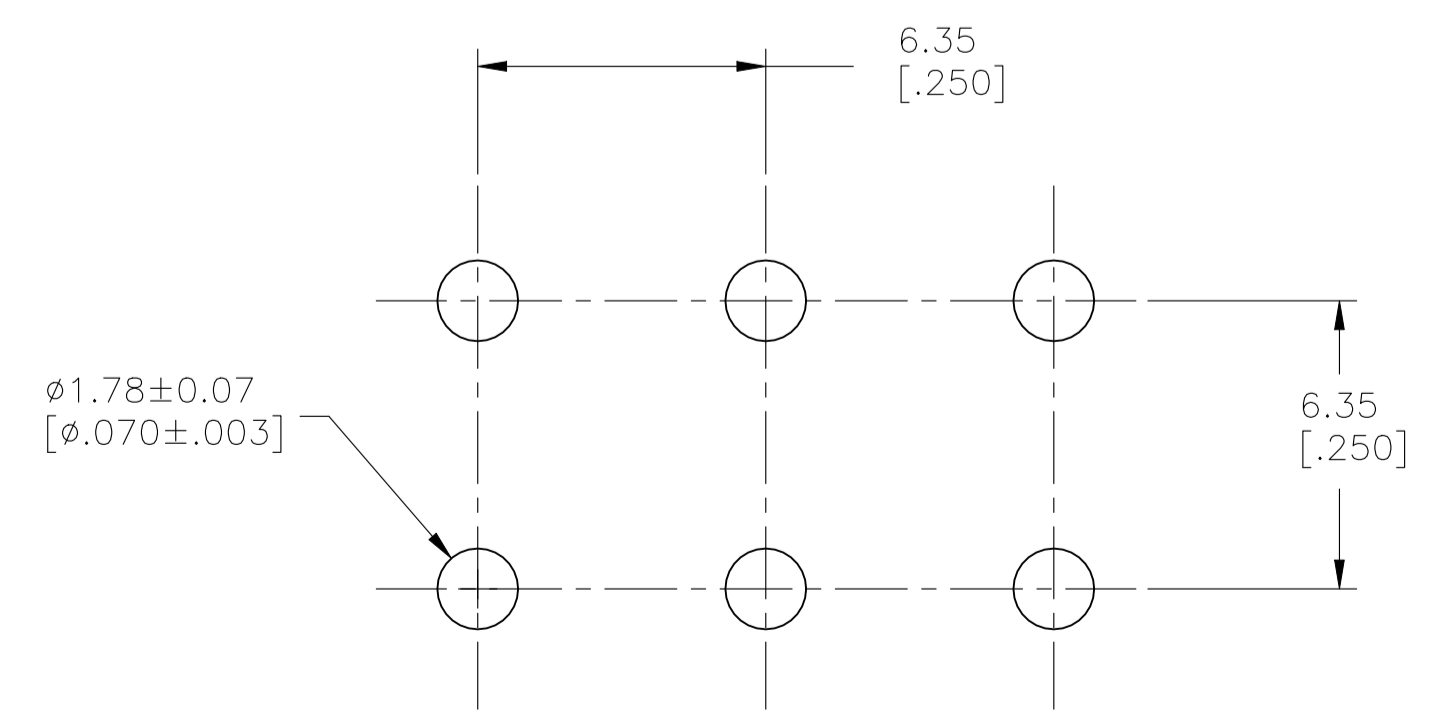
REVISIONS					
REV	DATE	DESCRIPTION	BY	CHK	APP'D
A2	02NOV2021	REVISED PER ECR-21-119230	SS	VS	



- PARTS MATE WITH HOUSING 1586846
- PARTS COMPLY TO AMP SOLDERABILITY SPECIFICATION 109-11-3.
- CIRCUIT IDENTIFICATION CHARACTERS ARE ADJACENT TO THE INDICATED CAVITIES, BUT LOCATION AND ORIENTATION MAY DIFFER FROM PRINT.
- FLAMMABILITY UL V-0 FOR THICKNESS 0.4, 0.45, 0.8, 1.6, AND 3.0 PER IEC 60695-11-10.
- GLOW WIRE FLAMMABILITY (GWF): 960°C FOR THICKNESS 0.45, 0.8, 1.6, AND 3.0 PER IEC 60695-2-12.
- GLOW WIRE IGNITION (GWIT): 825°C FOR THICKNESS 0.45, 800°C FOR THICKNESS 0.8, 775°C FOR THICKNESS 1.6 AND 3.0 PER IEC 60695-2-13.
- DIMENSIONS SHOWN REPRESENT PRODUCT IN DRY CONDITION. ADDITIONAL 2% GROWTH DUE TO END USE LOCATION MOISTURE ABSORPTION MAY OCCUR AND SHOULD BE ACCOUNTED FOR.



3 DIMENSIONAL MODEL  
SCALE 4:1



RECOMMENDED MOUNTING HOLE PATTERN  
FOR 1.57[.062] THICK P.C. BOARD

PHOSPOR BRONZE, PRE-TIN		NYLON, UL V-0 GW, NATURAL		1969814-1	
PIN CONTACT MATERIAL AND FINISH		HOUSING MATERIAL AND COLOR		PART NUMBER	
THIS DRAWING IS A CONTROLLED DOCUMENT.		DIN 28DEC2015 EASVESH WARAD		TE Connectivity	
DIMENSIONS: mm [INCHES]		TOLERANCES UNLESS OTHERWISE SPECIFIED:		NAME: PIN HEADER ASSEMBLY, 6 CIRCUIT, UNIVERSAL MATE-N-LOK	
0. PLC ± -		1. PLC ± -		SIZE: A1	
1. PLC ± -		2. PLC ± 0.13[.005]		CAGE CODE: 00779	
2. PLC ± -		3. PLC ± -		DRAWING NO: 1969814	
3. PLC ± -		4. PLC ± -		RESTRICTED TO: -	
4. PLC ± -		ANGLES ± α° 30°		WEIGHT: 0.000000	
MATERIAL: SEE TABLE		FINISH: SEE TABLE		CUSTOMER DRAWING	
		SCALE: 5:1		SHEET 1 OF 1	
				REV A2	