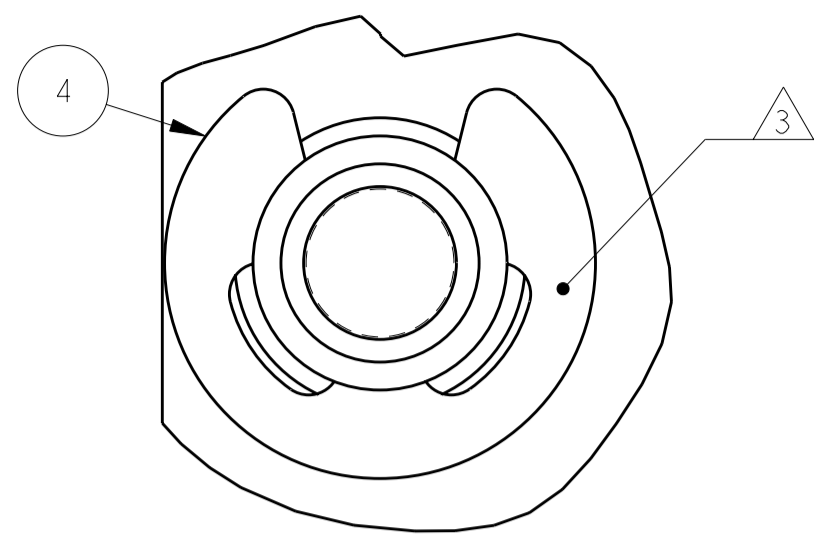
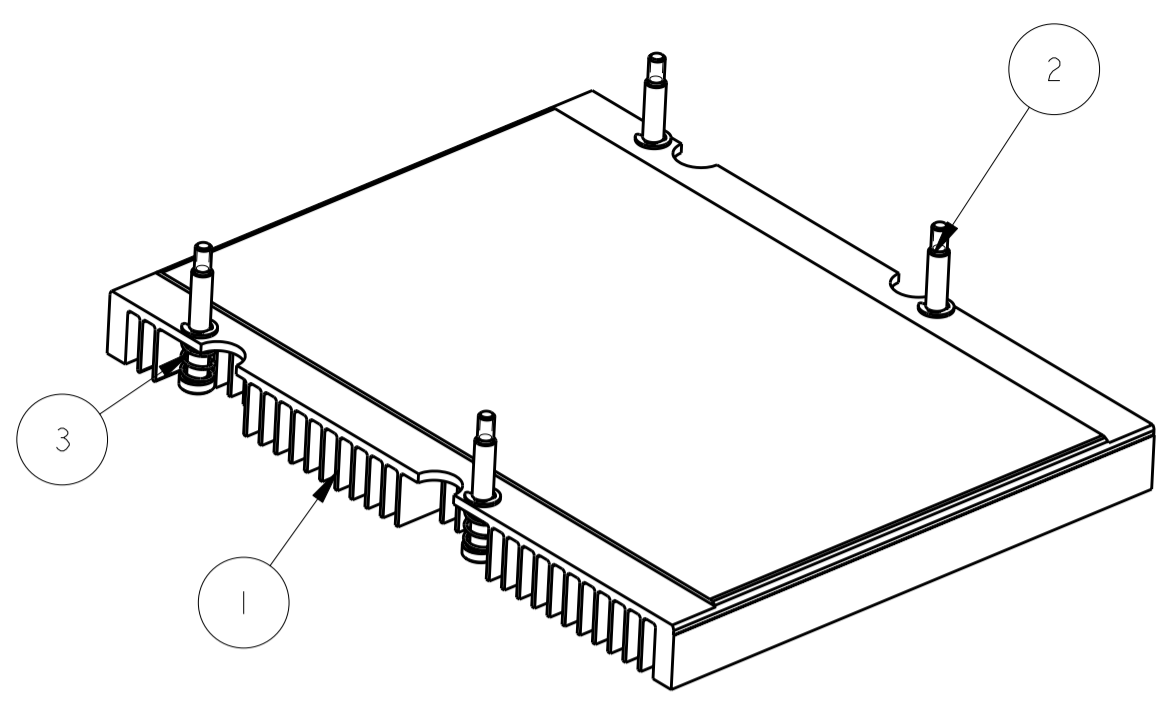


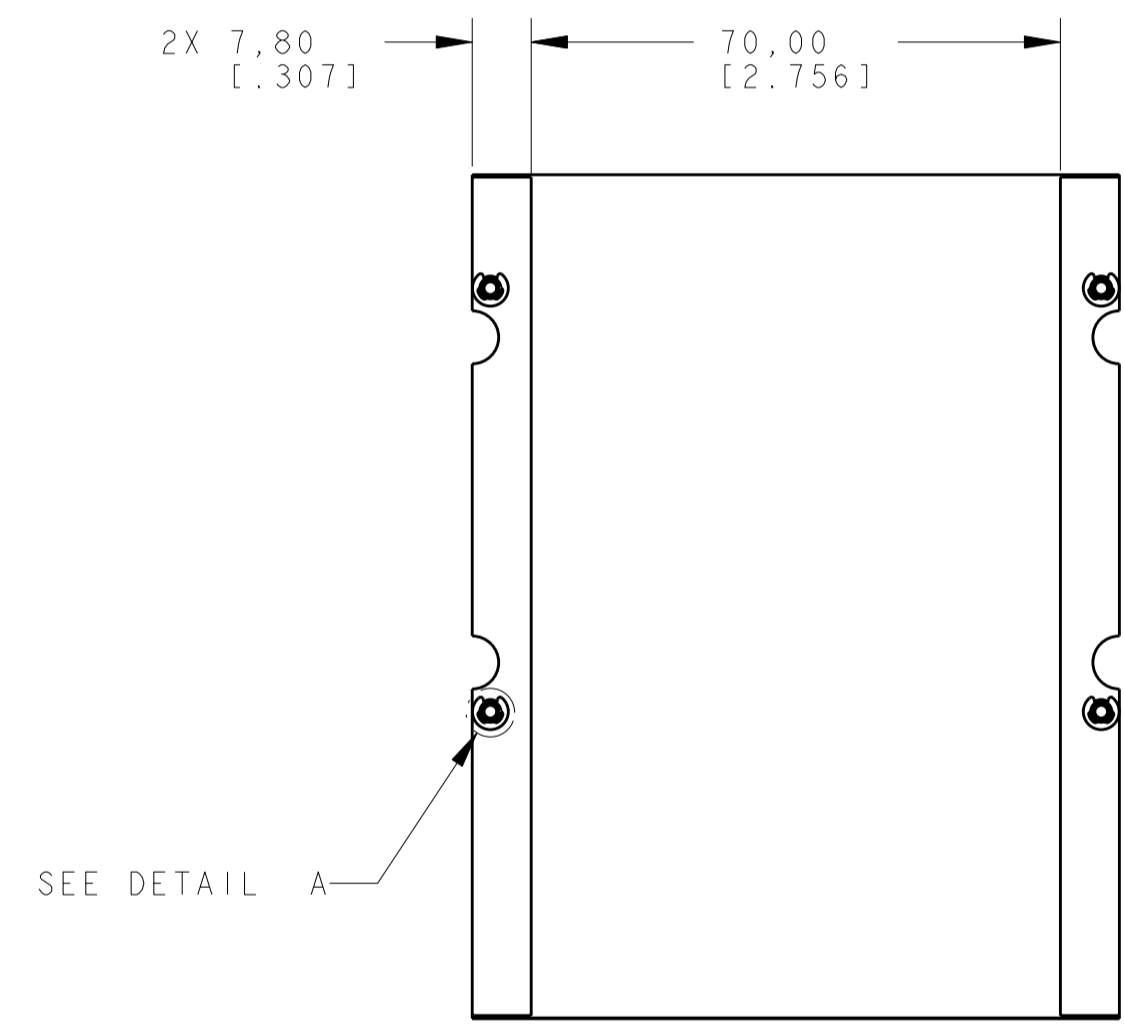
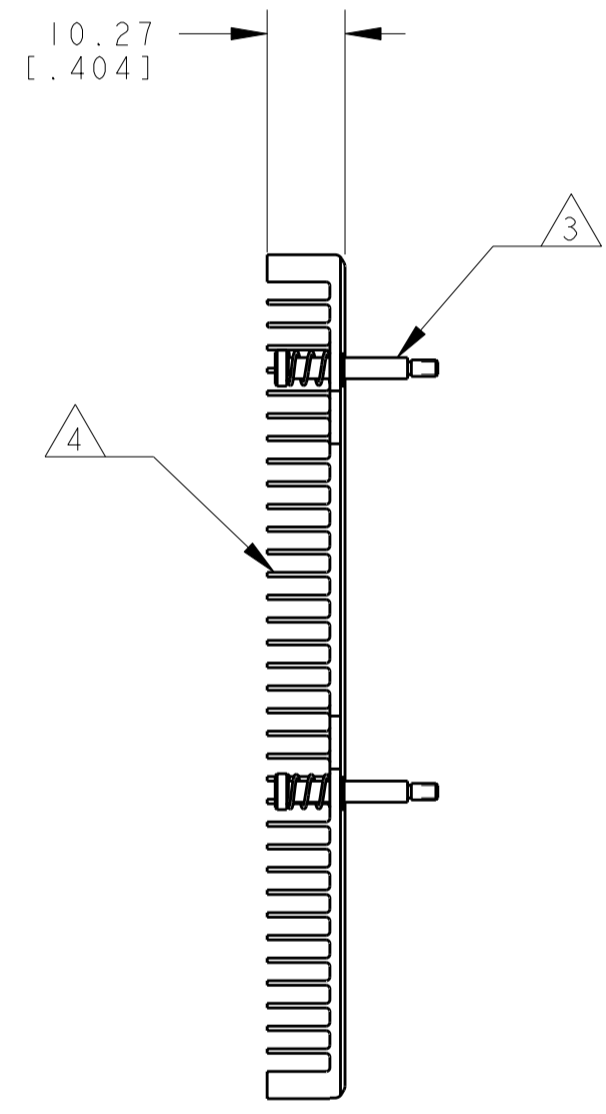
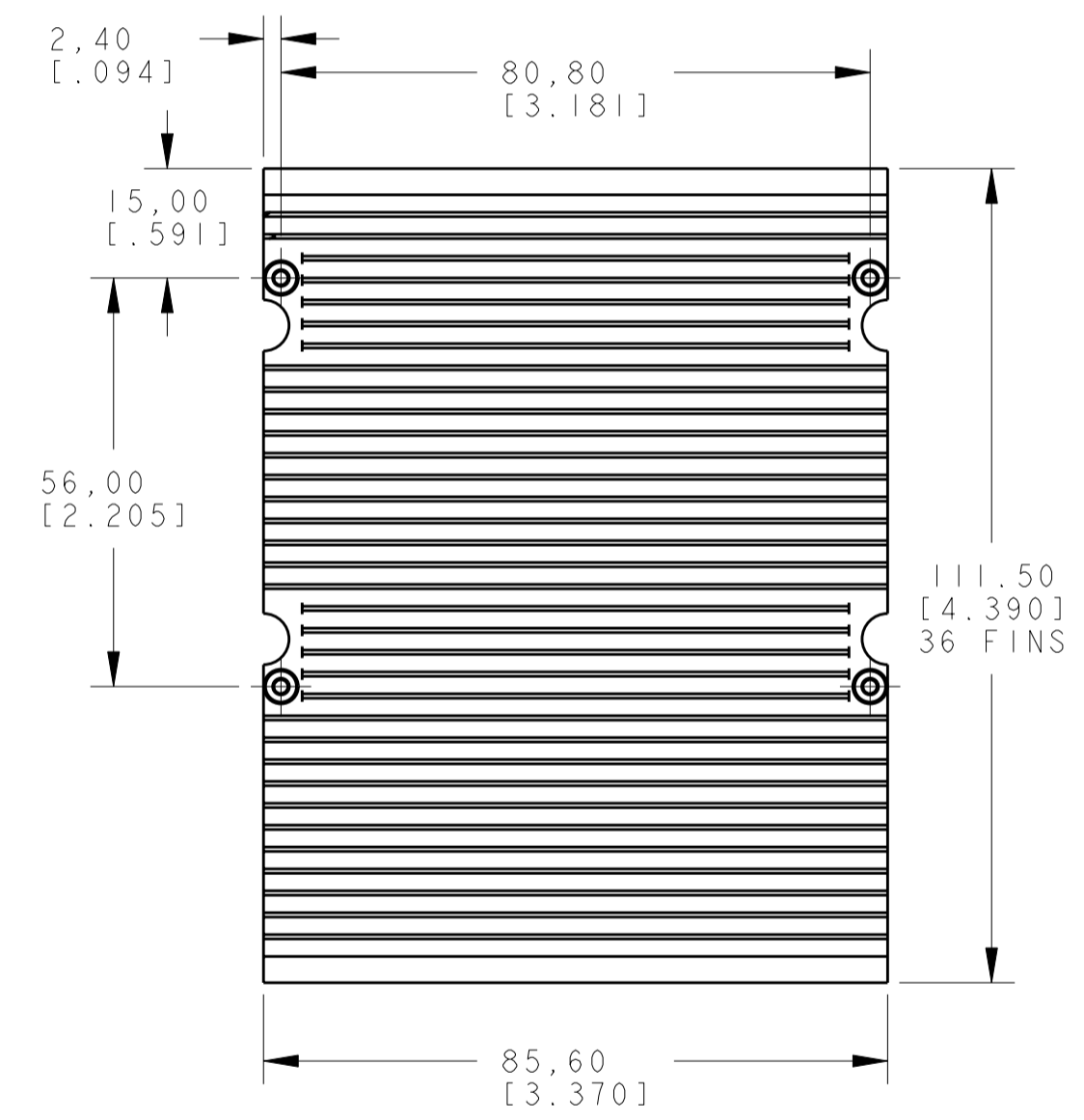
| LOC | DIST | REVISIONS | | | |
|-----|------|---------------------------|-----------|-----|------|
| P | LTR | DESCRIPTION | DATE | DWN | APVD |
| C2 | | REVISED PER ECO-11-004587 | 11MAR2011 | RK | HMR |
| D | | REVISED ECR-11-020698 | 25OCT2011 | C.D | C.W |



DETAIL A
SCALE 12.000

- 1 AS SHOWN

- NOTES: UNLESS OTHERWISE SPECIFIED:
- ① HEATSINK MATERIAL: ALUMINUM ALLOY
 - ② FINISH: ANNOXIDIZED
 - ③ 2-56 SHOULDER BOLT AND SPRING PRE-ASSEMBLED AND HELD IN PLACE WITH CLIP
 - ④ FULL ROUND PERMITTED ON TOP OF HEATSINK FINS

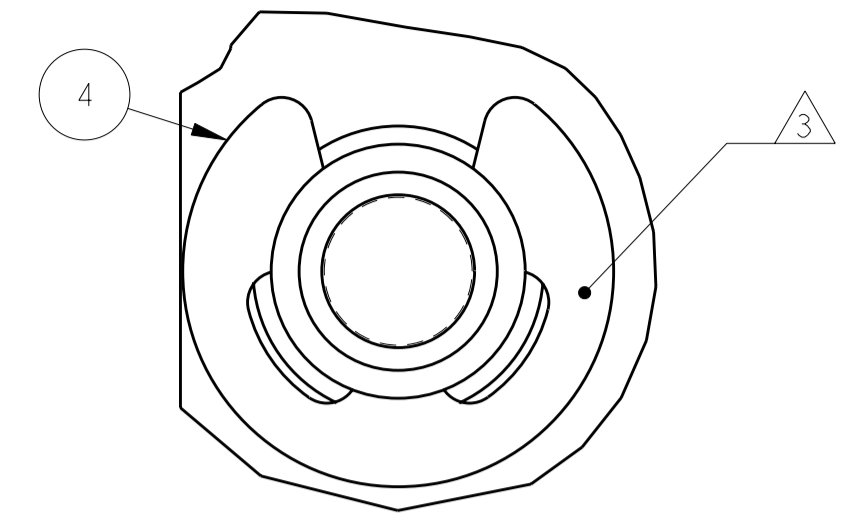
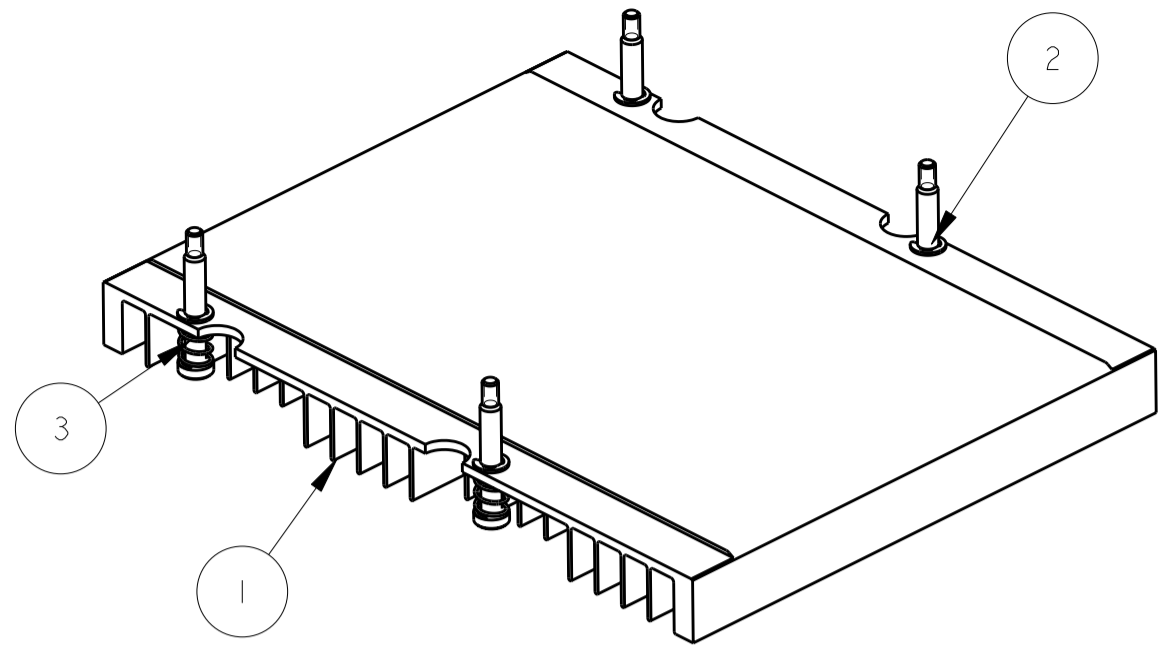


| QTY | UNIT | DESCRIPTION | ITEM NO. |
|-----|------|---------------------|----------|
| 4 | 4 | E-CLIP | 4 |
| 4 | 4 | SPRING | 3 |
| 4 | 4 | 2-56 SHOULDER SCREW | 2 |
| 1 | - | HEAT SINK (22 FINS) | 1 |
| - | 1 | HEAT SINK (36 FINS) | |
| -2 | -1 | DESCRIPTION | ITEM NO. |

| | | | | |
|--|--------------|---------------------------|---|-----------|
| THIS DRAWING IS A CONTROLLED DOCUMENT. | | DWN BM 3-5-09 | STE TE Connectivity | |
| DIMENSIONS: mm (inch) | | CHK B. STRATTON 3-5-09 | | |
| TOLERANCES UNLESS OTHERWISE SPECIFIED: | | APVD J. FARY 5-11-09 | NAME HEAT SINK ASSEMBLY 100 GIG PLUGGABLE | |
| 0 PLC ± | 1 PLC ±0.5 | PRODUCT SPEC | SIZE | CAGE CODE |
| 2 PLC ±0.25 | 3 PLC ±0.125 | APPLICATION SPEC | A20779 | C-1963856 |
| 4 PLC ±0.0001 | ANGLES ±° | WEIGHT | SCALE | SHEET |
| FINISH | | CUSTOMER DRAWING | 1.000 | 1 OF 2 |

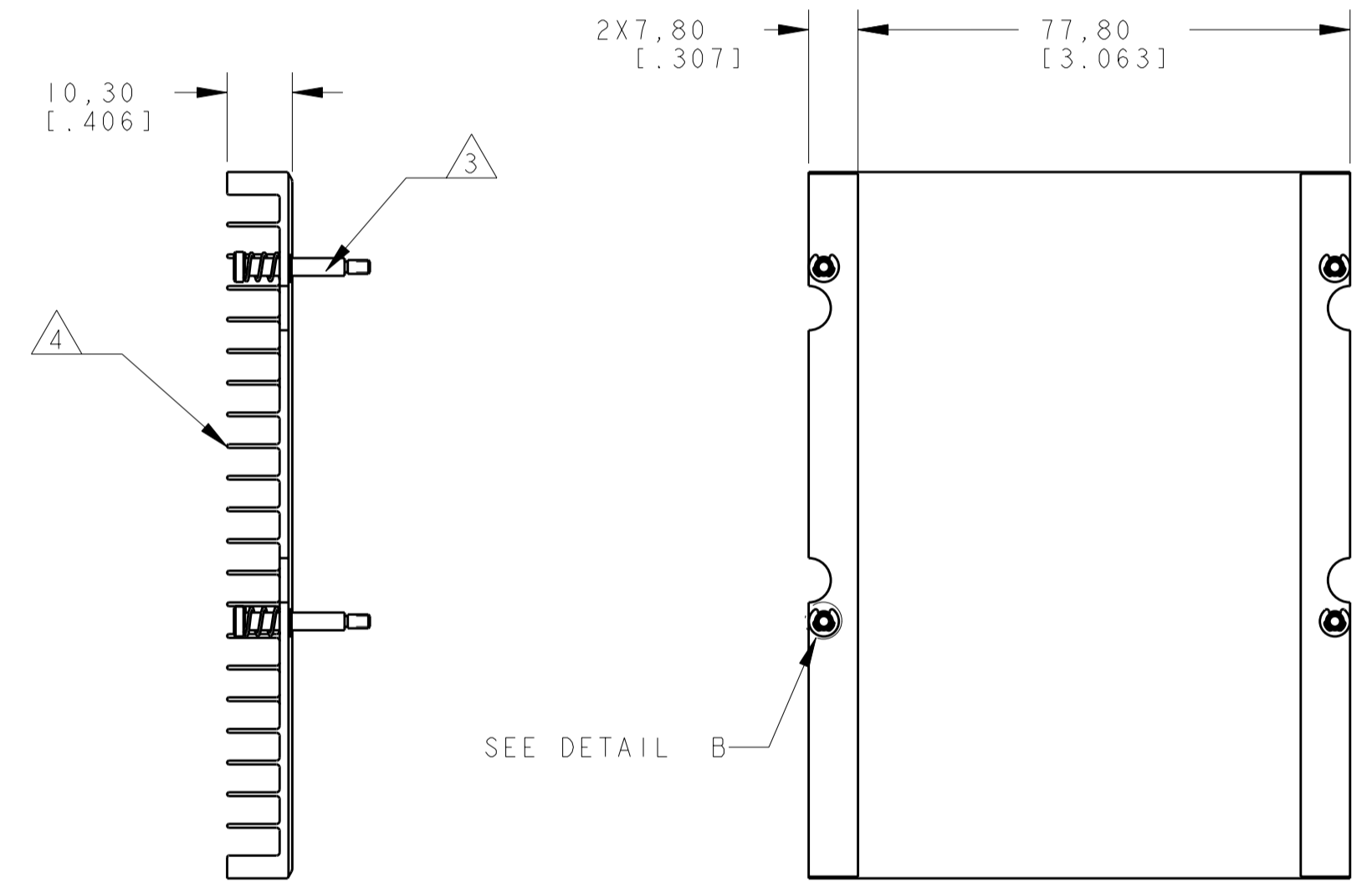
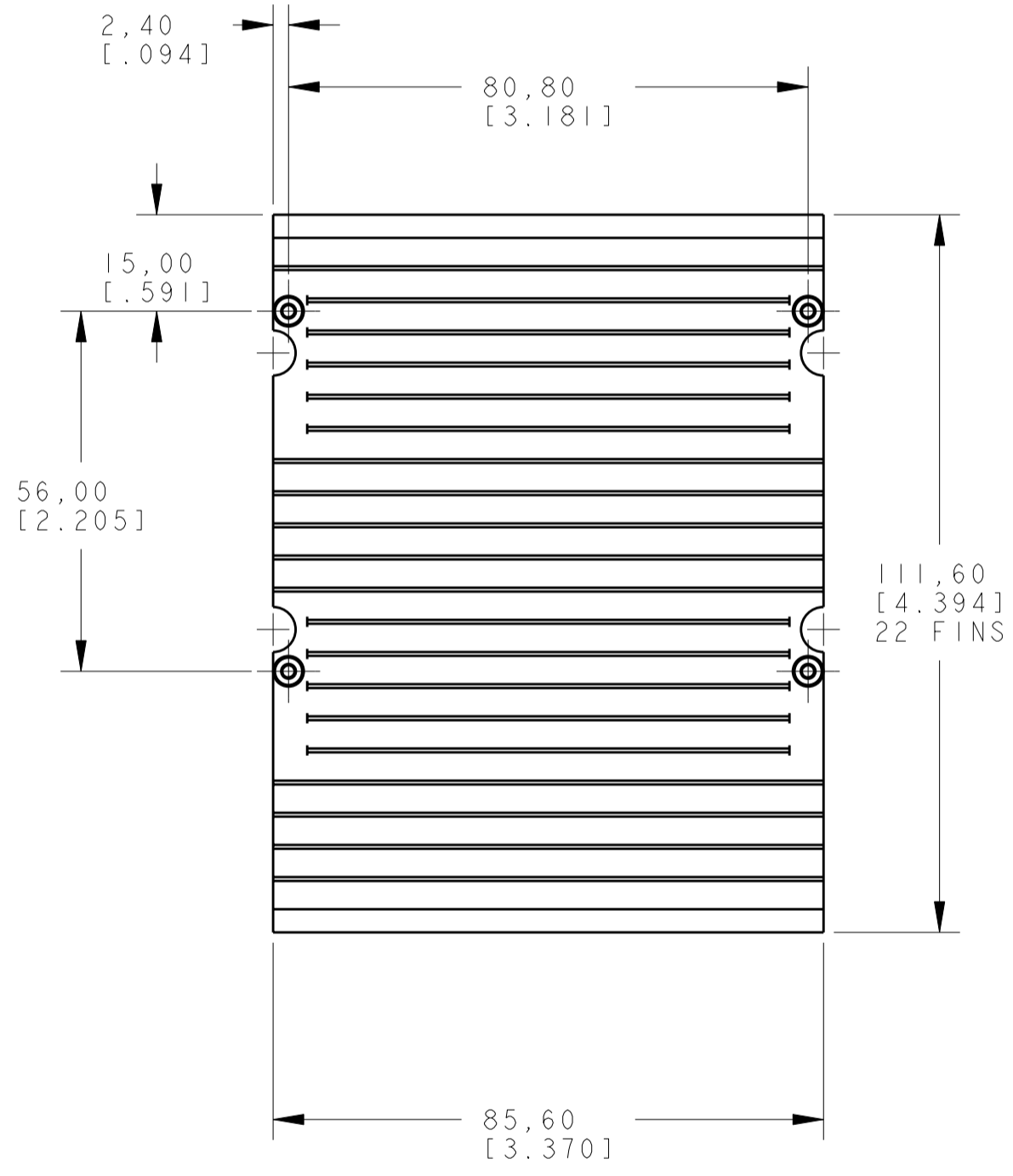
THIS DRAWING IS UNPUBLISHED. RELEASED FOR PUBLICATION 20
 © COPYRIGHT 20 BY - ALL RIGHTS RESERVED.

| LOC | | DIST | | REVISIONS | | | |
|-----|-----|-------------|------|-----------|------|--|--|
| P | LTR | DESCRIPTION | DATE | DWN | APVD | | |
| - | - | SEE SHEET 1 | - | - | - | | |



- 2 AS SHOWN

DETAIL B
SCALE 12.000



SEE DETAIL B

| | | | | | |
|--|--|------------------|-----------|---|--|
| THIS DRAWING IS A CONTROLLED DOCUMENT. | | DWN C.D | 25OCT2011 | TE Connectivity | |
| DIMENSIONS: mm (inch) | | CHK C.W | 25OCT2011 | | |
| TOLERANCES UNLESS OTHERWISE SPECIFIED: | | APVD C.W | 25OCT2011 | NAME HEAT SINK ASSEMBLY 100 GIG PLUGGABLE | |
| 0 PLC ± | | PRODUCT SPEC | | SIZE | |
| 1 PLC ±0.5 | | APPLICATION SPEC | | CAGE CODE | |
| 2 PLC ±0.25 | | WEIGHT | | DRAWING NO | |
| 3 PLC ±0.125 | | CUSTOMER DRAWING | | A20779C-1963856 | |
| 4 PLC ±0.0001° | | SCALE | | RESTRICTED TO | |
| ANGLES ± | | 1.000 | | - | |
| FINISH | | SHEET | | OF | |
| | | 2 | | 2 | |
| | | REV | | D | |