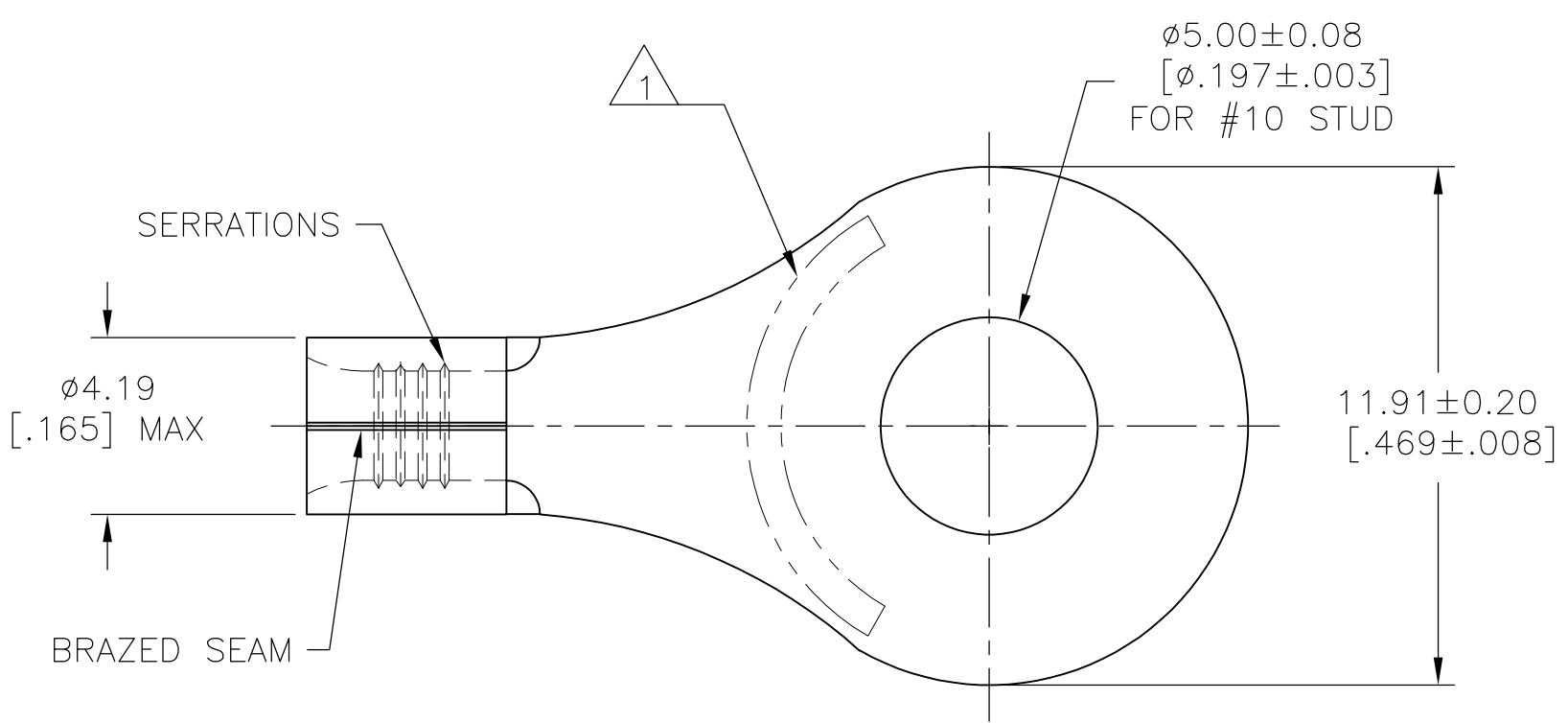


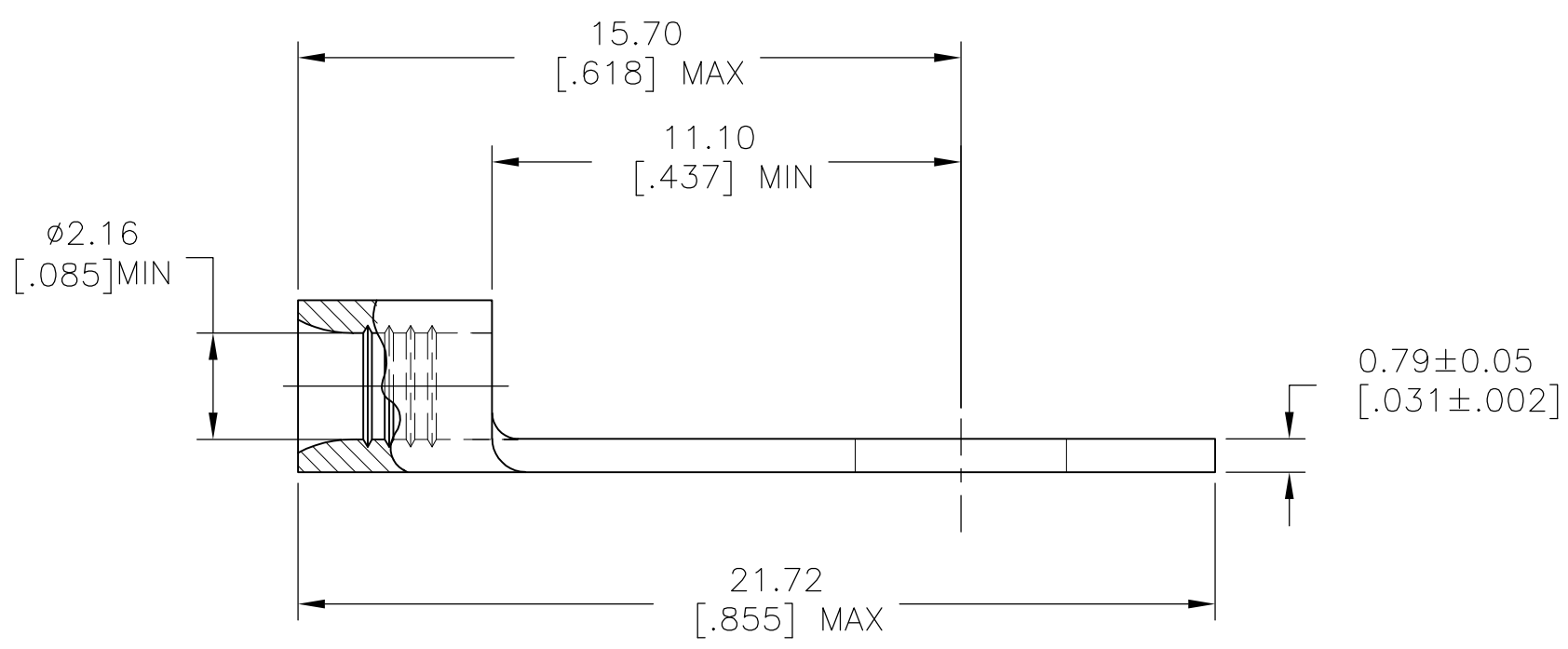
THIS DRAWING IS UNPUBLISHED. RELEASED FOR PUBLICATION  
 © COPYRIGHT - By - ALL RIGHTS RESERVED.

LOC	DIST	REVISIONS					
G	14	P	LTR	DESCRIPTION	DATE	DWN	APVD
		A		REVISED PER ECO-13-008848	25MAY2013	KH	DR



**AMP**  
 WIRE RANGE  
 16-14 AWG  
 SOLID OR STRANDED

- 1 STAMP AMP 16-14\* APPROX AS SHOWN
- 2 MATERIAL: COPPER PER ASTM B152, ANNEALED.
- 3 FINISH: NICKEL PLATE 0.00762[.000300] MIN EXT THK PER SAE AMS QQ-N-290



<b>AMP INCORPORATED CUSTOMER SERVICE SYSTEMS</b>		MAX RECOMMENDED OPERATING TEMPERATURE: 343°C[649°F]
FOR ADDITIONAL PRODUCT INFORMATION OR COPIES OF DRAWINGS AND TECHNICAL DOCUMENTS	PRODUCT INFORMATION CENTER 1-800-522-6752	VOLTAGE RATING: NOT APPLICABLE
FOR APPLICATION TOOLING INFORMATION	TOOLING ASSISTANCE CENTER 1-800-722-1111	WIRE CROSS SECTIONAL AREA RANGE: 1.04-2.62mm <sup>2</sup> [2,050-5,180] CIR MILS SOLID OR STRANDED
FOR ORDER ENTRY	1-800-526-5142	THIS DRAWING IS A CONTROLLED DOCUMENT FOR AMP INCORPORATED. IT IS SUBJECT TO CHANGE AND THE CONTROLLING ENGINEERING ORGANIZATION SHOULD BE CONTACTED FOR THE LATEST REVISION.

THIS DRAWING IS A CONTROLLED DOCUMENT.	
DIMENSIONS: mm [INCHES]	TOLERANCES UNLESS OTHERWISE SPECIFIED:
	0 PLC ± -
	1 PLC ± -
	2 PLC ± -
	3 PLC ± -
	4 PLC ± -
	ANGLES ± -
MATERIAL	FINISH
2	3

DWN	13APR2013
KIRAN HOLAL	
CHK	13APR2013
ROHDE, DANIEL	
APVD	13APR2013
ROHDE, DANIEL	
PRODUCT SPEC	
APPLICATION SPEC	
WEIGHT	-

1000	LOOSE PIECE	1958456-1
QTY	PACKAGE TYPE	PART NO
<b>STE</b> TE Connectivity		
NAME TERMINAL, RING TONGUE, HEAT RESISTANT STRATO THERM		
SIZE	CAGE CODE	DRAWING NO
A3	00779	C-1958456
CUSTOMER DRAWING		RESTRICTED TO
SCALE 8:1		REV A
SHEET 1 OF 1		