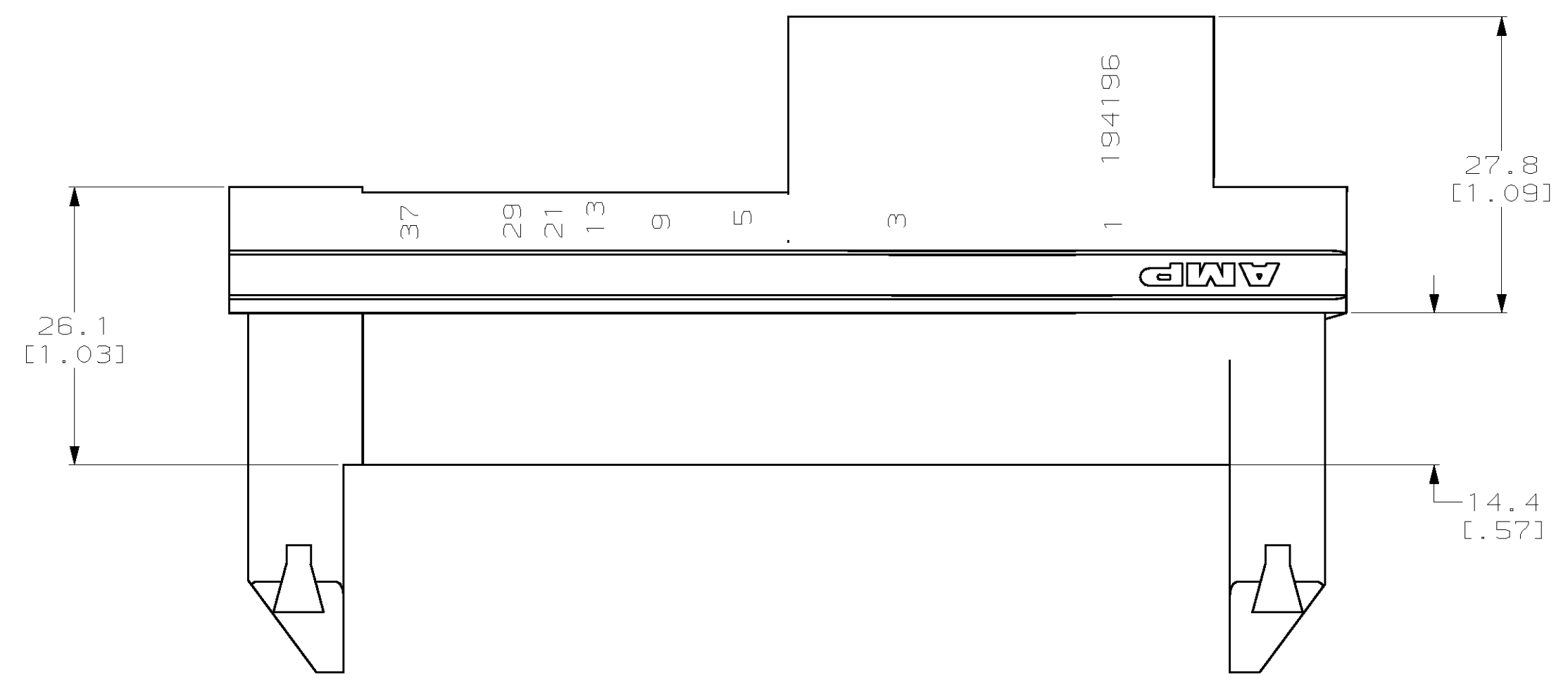
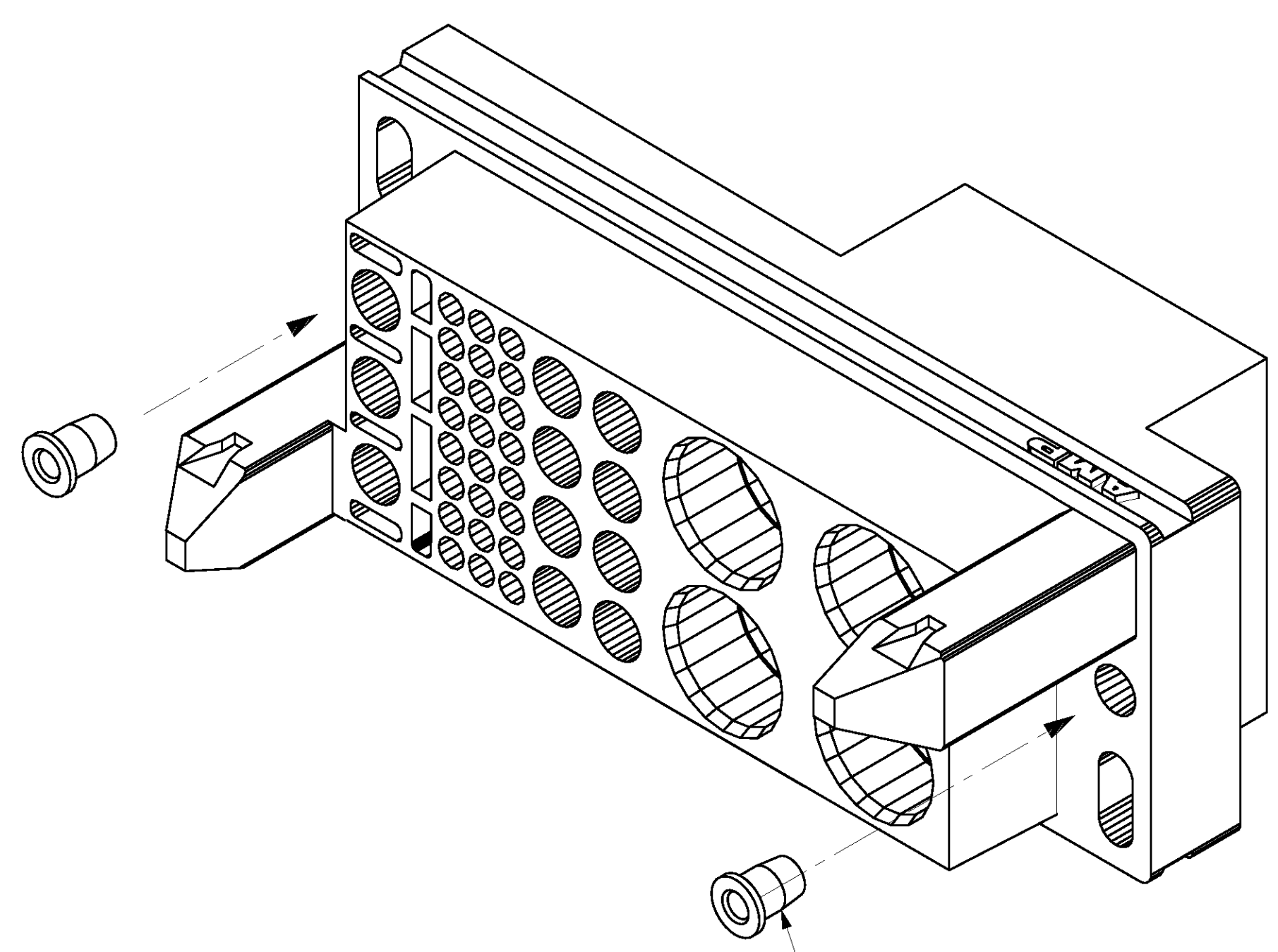


REVOLUTIONS		DATE	OWN	APPD
CH	11			
A	ECN96122001	PRODUCT RELEASE	12/DEC/96	DAP -
B	ECN97010801		08/JAN/97	DAP -
C	OB20-0195-97		07/FEB/97	RNP RAR
D	OB20-0304-97		04/MAR/97	RNP RAR
E	ECN OB20-0320-97		14/MAR/97	RNP RAR
F	ECN OB20-0126-98		22/JAN/98	DAP RAR

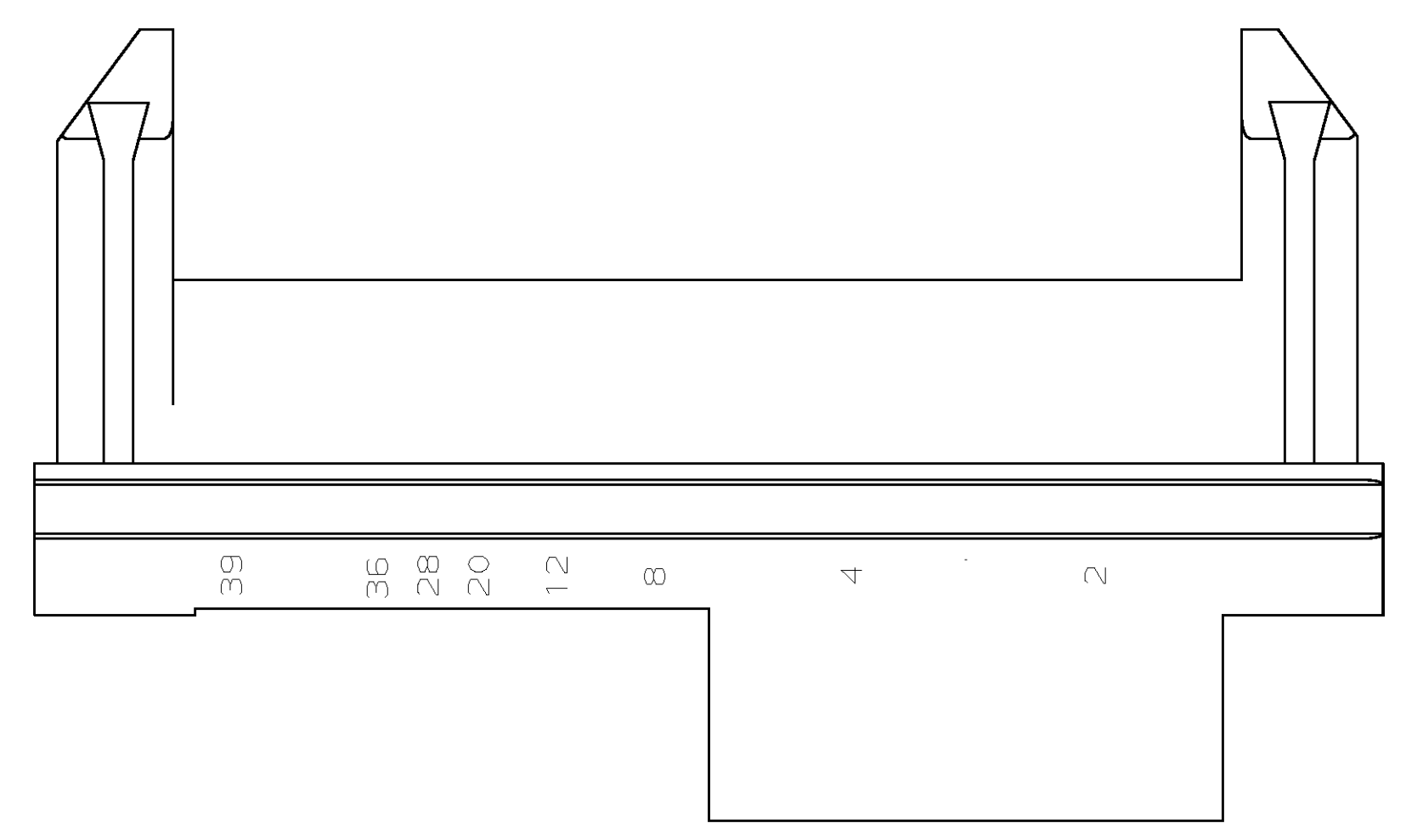
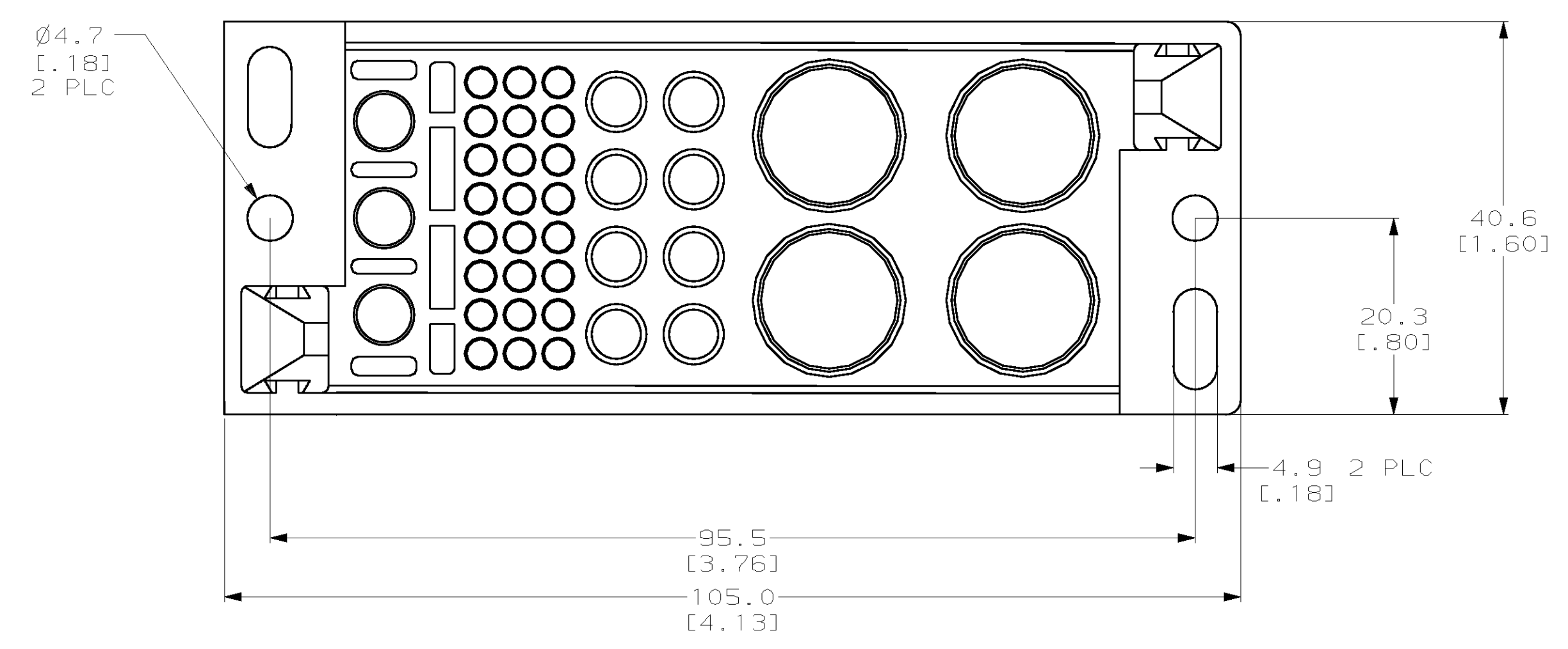
\* AMPOWER is a trademark



1. MATERIAL: POLYESTER PCT; BLACK.
2. POSITIONS 1-4 ARE FOR 9mm CONTACTS.
3. POSITIONS 5-12 ARE FOR 3mm CONTACTS.
4. POSITIONS 13-36 ARE FOR SIZE 16 CONTACTS.
5. POSITIONS 37-39 ARE FOR 3mm CONTACTS.
6. INSERTS ARE NOT REQUIRED WHEN FLOAT MOUNTING.
7. ALL DIMENSIONS ARE REFERENCE ONLY.

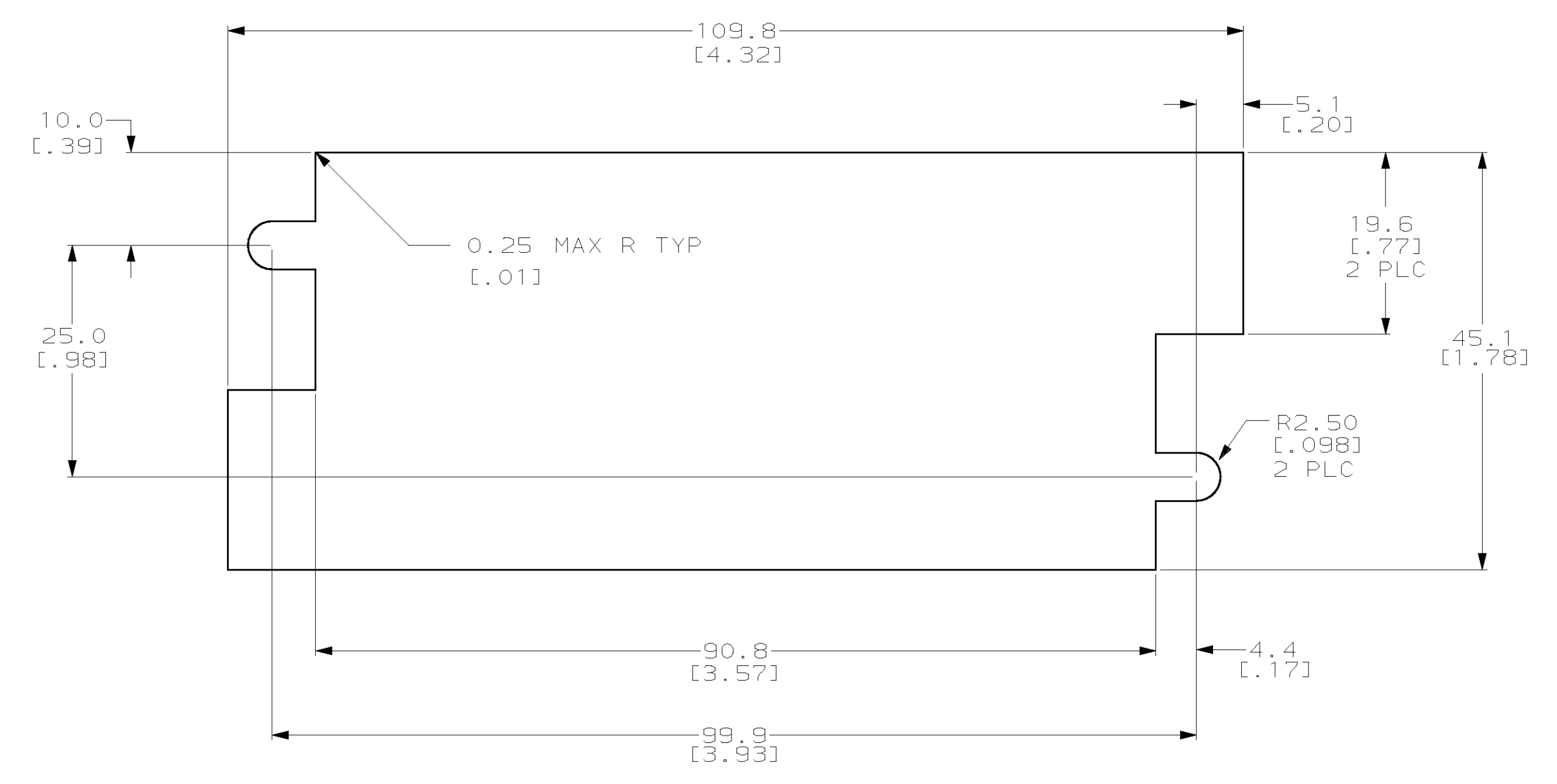


INSERTS NOT PROVIDED WITH 194196-1 SEE CHART

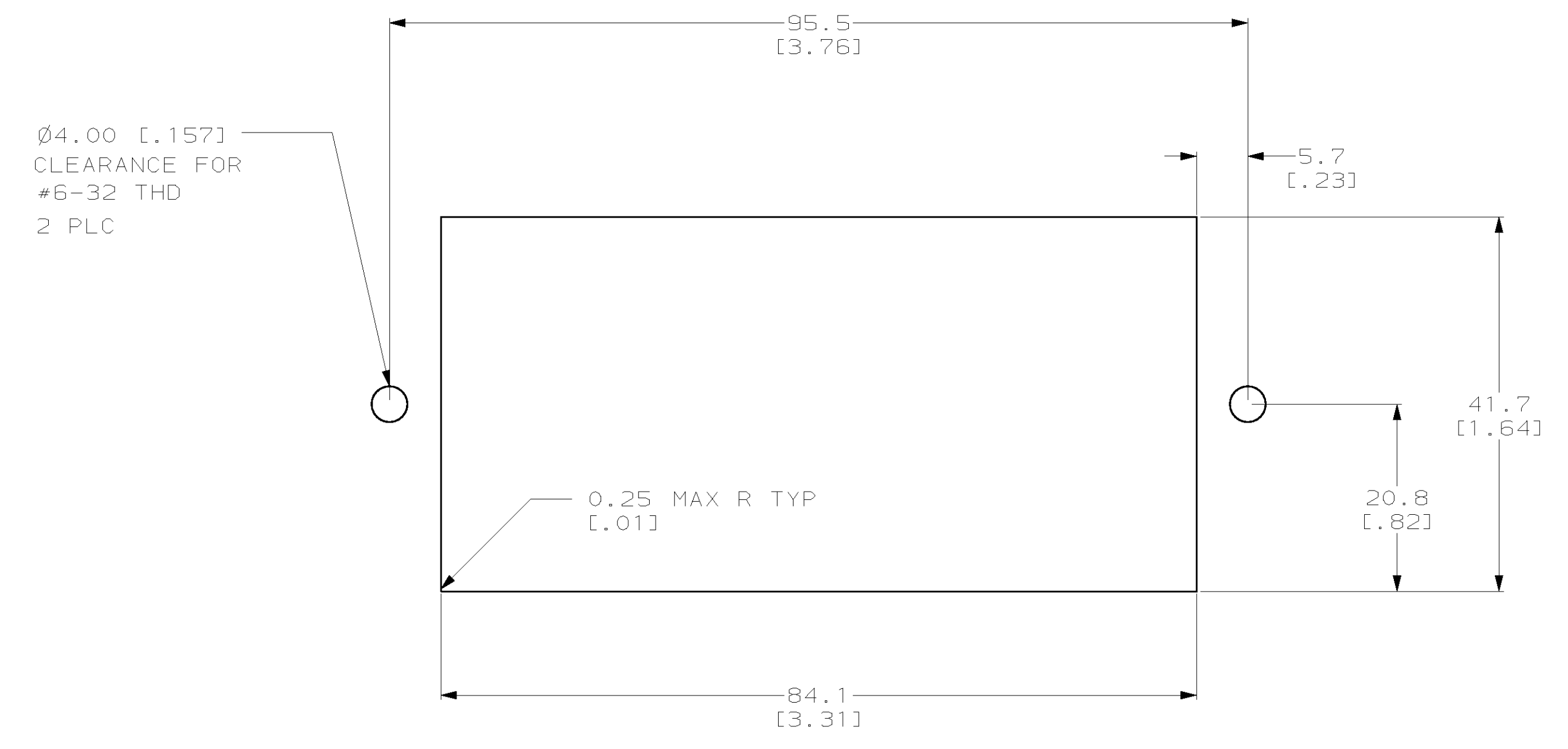


DESCRIPTION	PART NO
#6-32 THREADED INSERT	194196-3
NOT USED	194196-2
Ø4.79 [.189] HOLE	194196-1

<small>THIS DRAWING IS A CONTROLLED DOCUMENT AND IS UNPUBLISHED. IT IS SUBJECT TO CHANGE AND THE CONTROLLING ENGINEERING DEPARTMENT SHALL BE CONTACTED FOR THE LATEST REVISION.</small>		DWN: D.A. PUERNER CHK: - DATE: 18/OCT/96
DIMENSIONS: mm [in]		AMP Incorporated Harrisburg, PA 17105-3608
TOLERANCES UNLESS OTHERWISE SPECIFIED: Ø PLG ±.01 1 PLG ±.01 2 PLG ±.01 3 PLG ±.01 4 PLG ±.01 5 PLG ±.01 6 PLG ±.01 7 PLG ±.01 8 PLG ±.01 9 PLG ±.01 10 PLG ±.01 11 PLG ±.01 12 PLG ±.01 13 PLG ±.01 14 PLG ±.01 15 PLG ±.01 16 PLG ±.01 17 PLG ±.01 18 PLG ±.01 19 PLG ±.01 20 PLG ±.01 21 PLG ±.01 22 PLG ±.01 23 PLG ±.01 24 PLG ±.01 25 PLG ±.01 26 PLG ±.01 27 PLG ±.01 28 PLG ±.01 29 PLG ±.01 30 PLG ±.01 31 PLG ±.01 32 PLG ±.01 33 PLG ±.01 34 PLG ±.01 35 PLG ±.01 36 PLG ±.01 37 PLG ±.01 38 PLG ±.01 39 PLG ±.01		AMPPOWER* Multi Pin Plus HOUSING, PLUG 39 POSITION
MATERIAL: - FINISH: -		SIZE: A1 CAGE CODE: 00779 DRAWING NO: C=194196
CUSTOMER DRAWING		SCALE: - SHEET: 12 OF 12 REV: F



RECOMMENDED FLOAT MOUNT PANEL CUTOUT #3  
 EXTERNAL VIEW



RECOMMENDED STATIONARY MOUNT PANEL CUTOUT #4  
 EXTERNAL VIEW

THIS DRAWING IS A CONTROLLED DOCUMENT.		DWN R CHK	N POLK 11/DEC/96	AMP Incorporated Harrisburg, PA 17105-3608
DIMENSIONS: mm (in)		TOLERANCES UNLESS OTHERWISE SPECIFIED:		
		0 PLC	±	NAME
		1 PLC	±	AMPOWER* Multi Pin Plus
		2 PLC	±	HOUSING, PLUG
		3 PLC	±	39 POSITION
		4 PLC	±	
		ANGLES	±	
MATERIAL	FINISH	WEIGHT		SIZE
				A1
CUSTOMER DRAWING		SCALE	2/1	DRAWING NO
		SHEET	2	C-194196
		REV	F	