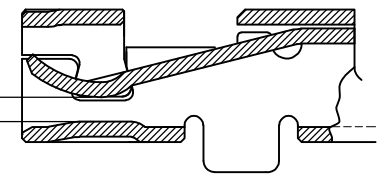
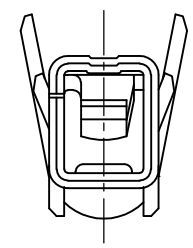
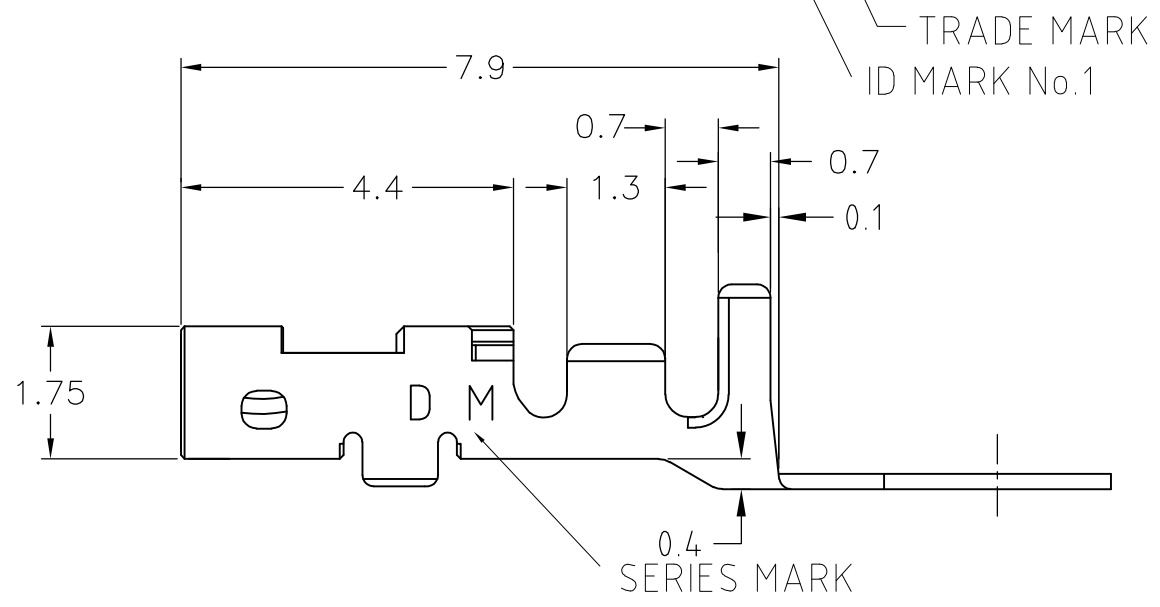
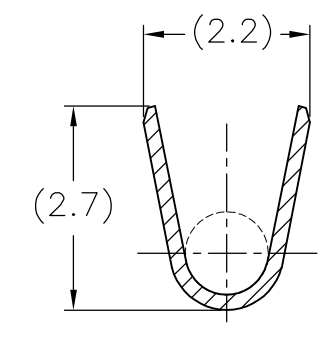
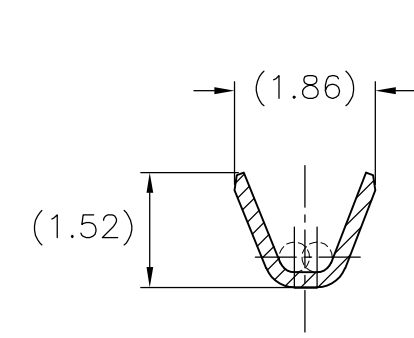
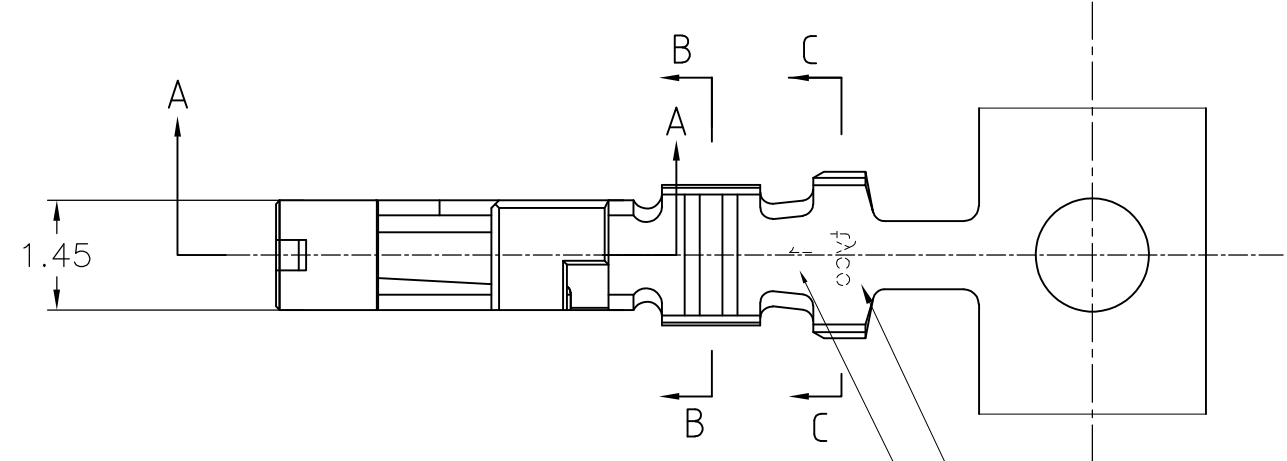


THIS DRAWING IS UNPUBLISHED. RELEASED FOR PUBLICATION
 © COPYRIGHT BY TYCO ELECTRONICS CORPORATION. ALL INTERNATIONAL RIGHTS RESERVED.

LOC	DIST	REVISIONS			DATE	DWN	APVD
J	—	P	LTR	DESCRIPTION			
			B	REVISED	26AUG10	T.T	T.M



0.5tタブにかん合
MATE WITH 0.5t TAB

断面 A-A
SECT.

AWG#28~#22 0.08~0.38mm ²	φ1.08~φ1.6	COPPER ALLOY, FINISH: CONTACT AREA Au 0.76μm MIN, OVER Ni 1.27μm MIN 材料: 銅合金, 下地: Niめっき1.27μm以上, 接点部: 金めっき0.76μm以上	1939991-2
WIRE RANGE 導体断面積	INSULATION DIA 被覆外径	MATERIAL 材料	PART No. 型番
THIS DRAWING IS A CONTROLLED DOCUMENT.		DWN M.MAEBASHI 25APR2007	Tyco Electronics Corporation Kawasaki, Japan
		CHK T.KUDO 25APR2007	
DIMENSIONS: 単位: 耗 mm		APVD D.MITSUGI 25APR2007	NAME 名称 DYNAMIC D1000 SERIES REC CONTACT M TYPE REEL
TOLERANCES UNLESS OTHERWISE SPECIFIED: 一般公差		PRODUCT SPEC 製品規格 108-78414	
0 PLQ ± 0.3 1 PLC ± 2 PLC ± 3 PLC ± 4 PLG ± ANGLES ± 3deg		APPLICATION SPEC 取付適用規格 114-5405	SIZE A3
MATERIAL 材料	FINISH 仕上	WEIGHT —	CAGE CODE 00779
		DRAWING NO 番号 G-1939991	RESTRICTED TO —
CUSTOMER DRAWING			SCALE 尺度 10:1
			SHEET 1 OF 1
			REV B