

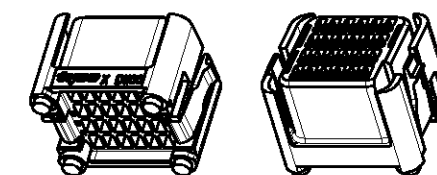
THIS DRAWING IS UNPUBLISHED. RELEASED FOR PUBLICATION MAR. 2007
 © COPYRIGHT 2007 BY TYCO ELECTRONICS CORPORATION. ALL RIGHTS RESERVED.

LOC	DIST	REVISIONS					
		P	LTR	DESCRIPTION	DATE	DWN	APVD
J	-		A	RELEASED	15MAR2007	T.S	D.M

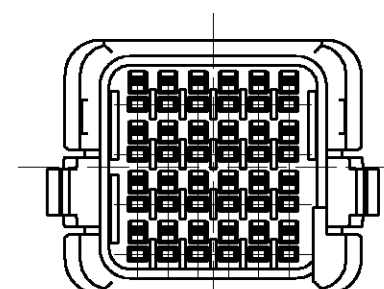
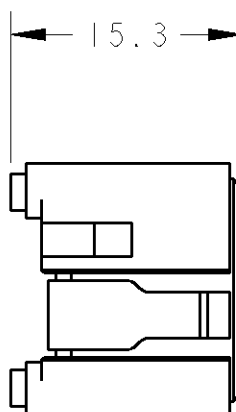
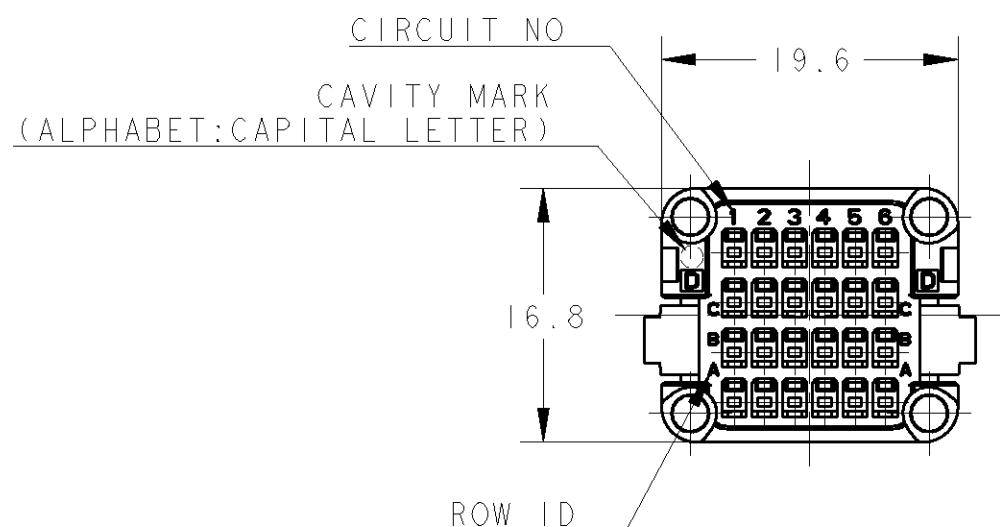
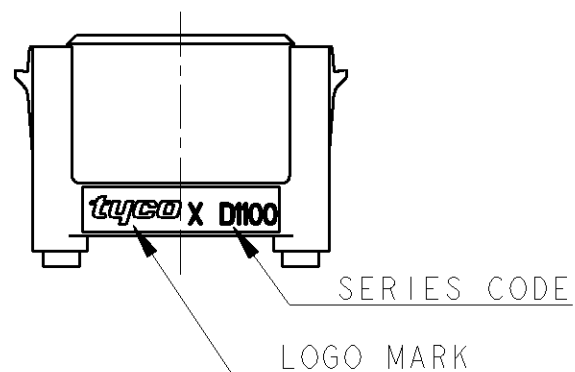
△ MATERIAL:
 HOUSING: POLYBUTYLEN TEREPHTHALATE (94V-0)
 COLOR: BLACK
 RUBBER: NITRILE-BUTADIENE RUBBER
 COLOR: BLACK
 2. THE SHAPE, SIZE AND POSITION OF THE CHARACTER
 SHOW THE OUTLINE. THEY DON'T SHOW DETAILS.

- 1 : AS SHOWN

△ 材料:
 ハウジング: ポリアチレンテレフタレート(94V-0)
 色: 黒
 ゴム: ニトリルアジエンゴム
 色: 黒
 2. 文字の形状、大きさ、および位置については、大略を示すものであり、
 詳細を示すものではありません。



SCALE 1:1



<small>THIS DRAWING IS A CONTROLLED DOCUMENT FOR TYCO ELECTRONICS CORPORATION IT IS SUBJECT TO CHANGE AND THE CONTROLLING ENGINEERING ORGANIZATION SHOULD BE CONTACTED FOR THE LATEST REVISION.</small>		DWN T.SAMI 15MAR2007 CHK D.MITSUGI 15MAR2007 APVD D.MITSUGI 15MAR2007		tyco Tyco Electronics AMP K.K. Electronics Kawasaki, Japan	
DIMENSIONS: 単位: 耗 mm		TOLERANCES UNLESS OTHERWISE SPECIFIED: 一般公差 ±0.3, ±3° 0-PLC ± 1-PLC ± 2-PLC ± 3-PLC ± 4-PLC ± ANGLES ±		NAME 名称 MULTI ENCLOSURE CONN (M) DYNAMIC D1100 TYPE REC ASSY 24POS	
		PRODUCT SPEC 製品規格 108-78417		SIZE CAGE CODE DRAWING NO RESTRICTED TO 番号 A300779 C-1939850 -	
MATERIAL 材料 		FINISH 仕上		APPLICATION SPEC 取付適用規格 411-78262 WEIGHT 3.10 g	
CUSTOMER DRAWING				SCALE 2:1 SHEET 1 OF 1 REV A	