

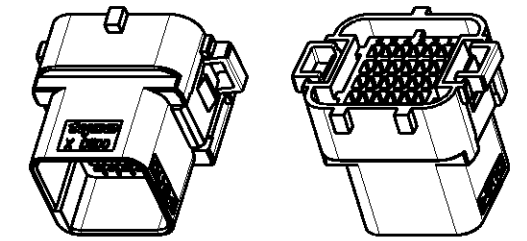
THIS DRAWING IS UNPUBLISHED. RELEASED FOR PUBLICATION MAR. 2007
 © COPYRIGHT 2007 BY TYCO ELECTRONICS CORPORATION. ALL RIGHTS RESERVED.

LOC	DIST	REVISIONS			
P	LTR	DESCRIPTION	DATE	DWN	APVD
J	-	B	REVISED	22FEB2008	T.S D.M

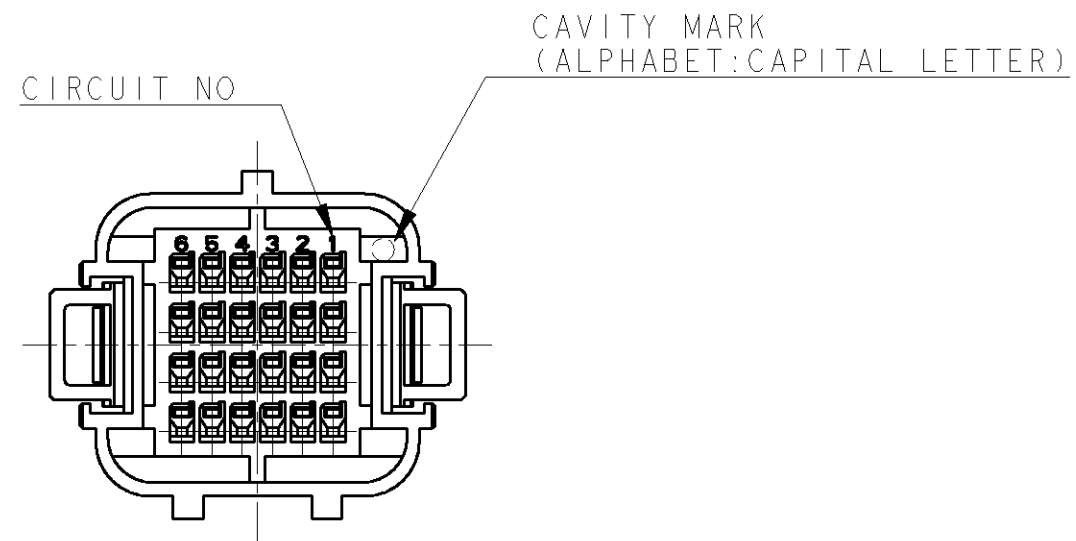
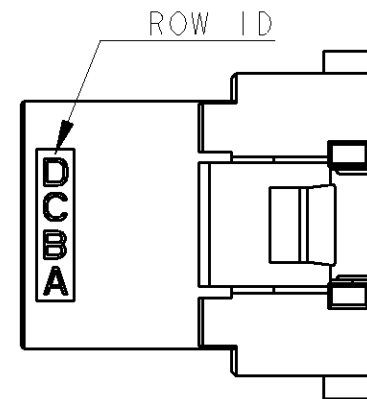
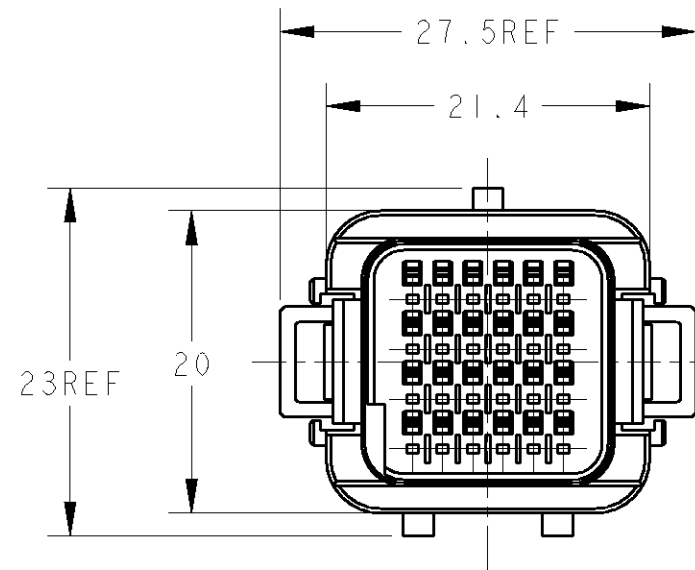
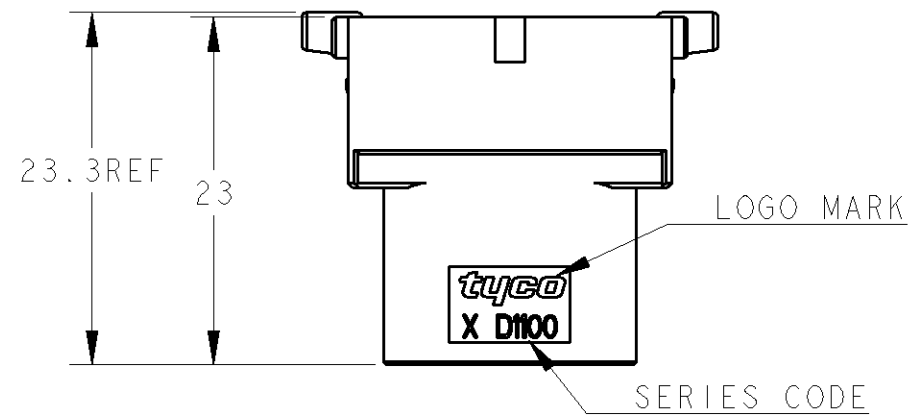
①. MATERIAL: POLYBUTYLEN TEREPHTHALATE (94V-0)
 COLOR: BLACK
 2. THE SHAPE, SIZE AND POSITION OF THE CHARACTER
 SHOW THE OUTLINE. THEY DON'T SHOW DETAILS.

①. 材料: ポリアチレンテレフタレート(94V-0)
 色: 黒
 2. 文字の形状、大きさ、および位置については、大略を示すものであり、詳細を示すものではありません。

- 1 : AS SHOWN



SCALE 1:1



THIS DRAWING IS A CONTROLLED DOCUMENT FOR TYCO ELECTRONICS CORPORATION IT IS SUBJECT TO CHANGE AND THE CONTROLLING ENGINEERING ORGANIZATION SHOULD BE CONTACTED FOR THE LATEST REVISION.		DWN T.SAMI 15MAR2007 CHK D.MITSUGI 15MAR2007 APVD D.MITSUGI 15MAR2007		tyco Tyco Electronics AMP K.K. Electronics Kawasaki, Japan	
DIMENSIONS: 単位: 概 mm		TOLERANCES UNLESS OTHERWISE SPECIFIED: 一般公差 ±0.3, ±3° 0-PLC ± 1-PLC ± 2-PLC ± 3-PLC ± 4-PLC ± ANGLES ±		NAME 名称 MULTI ENCLOSURE CONN (M) DYNAMIC D1100 TYPE TAB HSG 24POS	
MATERIAL 材料		FINISH 仕上		PRODUCT SPEC 108-78417 APPLICATION SPEC 取付適用規格	
		WEIGHT 4.87 g		SIZE A3 CAGE CODE 00779 DRAWING NO C-1939839 RESTRICTED TO -	
CUSTOMER DRAWING				SCALE 2:1 SHEET 1 OF 1 REV B	