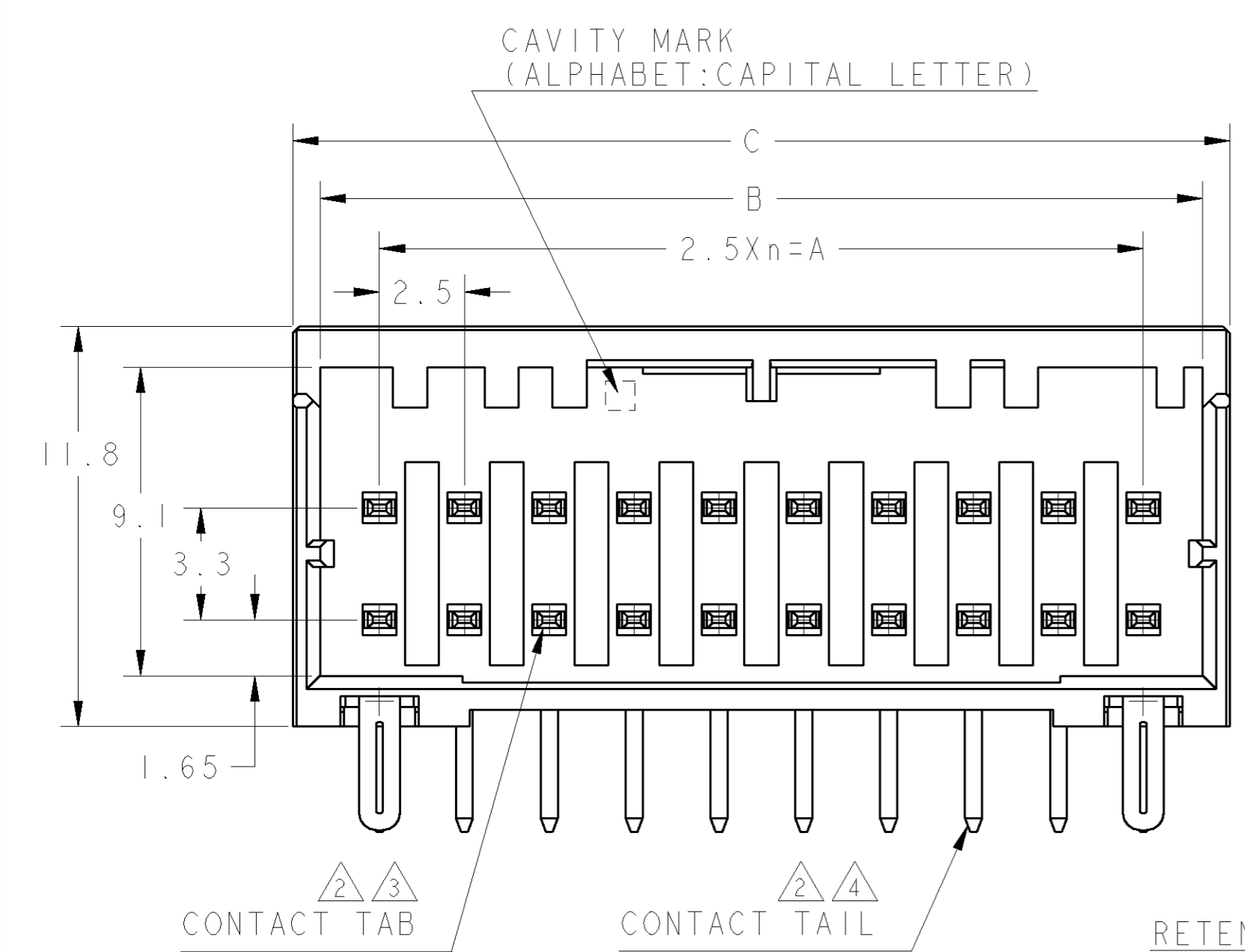
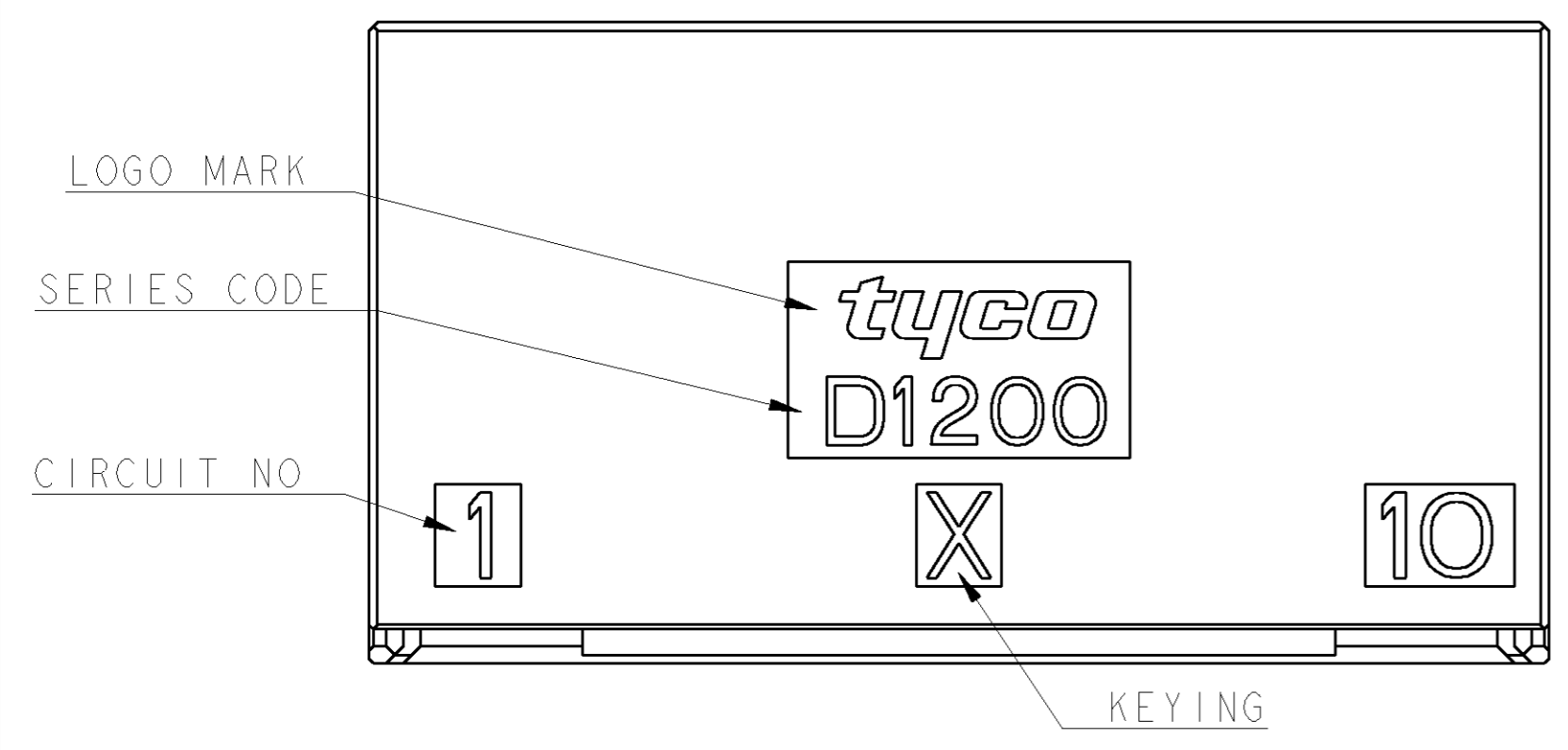
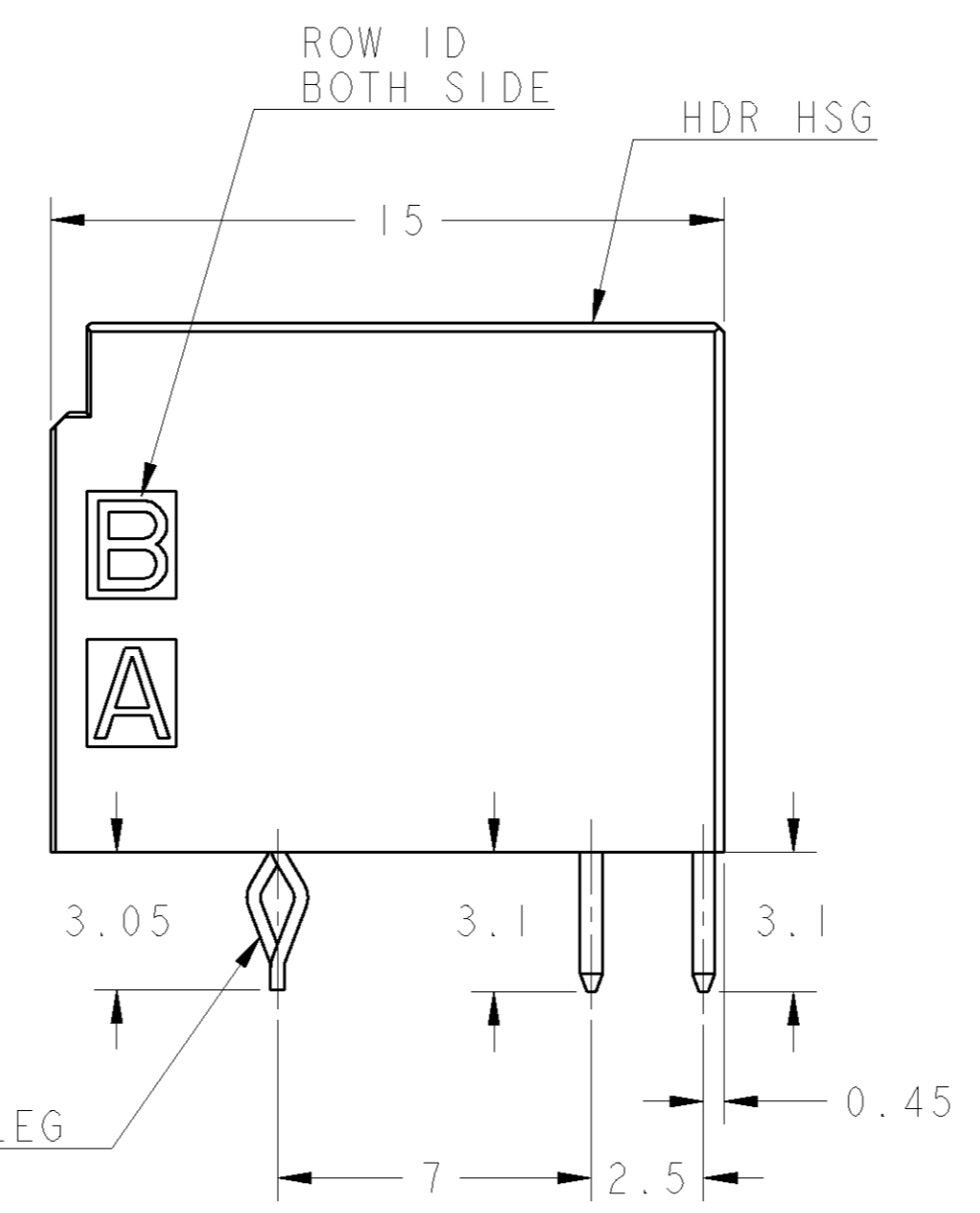


THIS DRAWING IS UNPUBLISHED. RELEASED FOR PUBLICATION 20
 © COPYRIGHT 20 BY TYCO ELECTRONICS CORPORATION. ALL RIGHTS RESERVED.

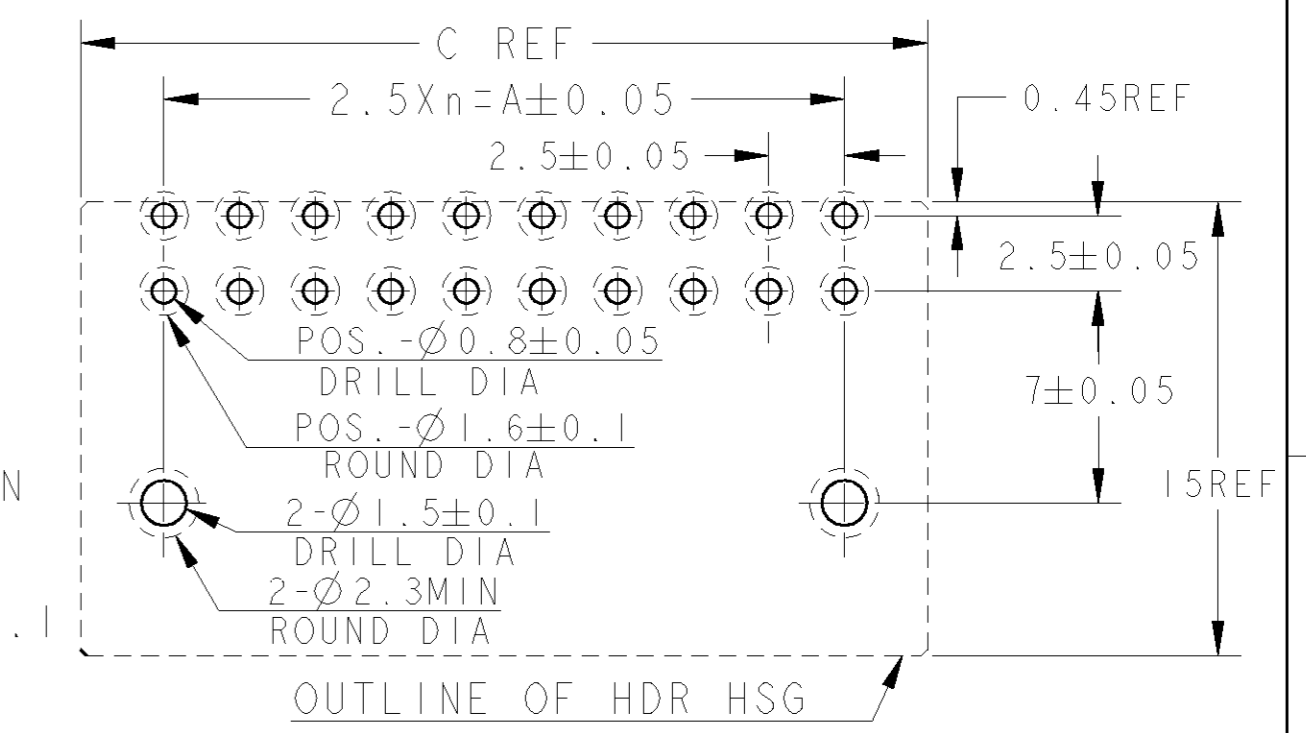


1. 材料
 ハウジング：ガラス入り熱可塑性ポリエステル樹脂（94V-0）
 色：黒以外
 コンタクト：銅合金
 リテンションレグ：錫めっき済銅合金
- △2. めっき-全面：ニッケル下地めっき1.27μm以上
 △3. めっき-接触部：△2の上に金めっき0.38μm以上
 △4. めっき-コンタクト半田付部：△2の上に錫めっき2μm以上
 5. 文字の形状、大きさ、および位置については、大略を示すものであり詳細を示すものではありません。
 6. Y KEY形状は、X KEY形状と左右対称

RECOMMEND PC BOARD HOLE PATTERN
 : CONNECTOR MOUNT SIDE
 (NOT ACCUMULATE TOLERANCE)
 PC BOARD THICKNESS : 1.0~1.6±0.1
 推奨基板取付寸法：コネクタ搭載面（非累積公差）
 PC基板厚：1.0~1.6±0.1



LOC		DIST		REVISIONS				
J		P	LTR	DESCRIPTION	ECN	DATE	DWN	APVD
			A	RELEASED		23MAR2007	M.M	D.M



- 4-1939818-□ : YELLOW (Y-KEY)
 3-1939818-□ : YELLOW (X-KEY)
 2-1939818-□ : NATURAL (Y-KEY)
 1-1939818-□ : NATURAL (X-KEY)

20	9	Y	22.5	26.0	27.6	4-1939818-0(YELLOW)
20	9	X	22.5	26.0	27.6	3-1939818-0(YELLOW)
20	9	Y	22.5	26.0	27.6	2-1939818-0(NATURAL)
20	9	X	22.5	26.0	27.6	1-1939818-0(NATURAL)
12	5	Y	12.5	16.0	17.6	4-1939818-6(YELLOW)
12	5	X	12.5	16.0	17.6	3-1939818-6(YELLOW)
12	5	Y	12.5	16.0	17.6	2-1939818-6(NATURAL)
12	5	X	12.5	16.0	17.6	1-1939818-6(NATURAL)
8	3	Y	7.5	11.0	12.6	4-1939818-4(YELLOW)
8	3	X	7.5	11.0	12.6	3-1939818-4(YELLOW)
8	3	Y	7.5	11.0	12.6	2-1939818-4(NATURAL)
8	3	X	7.5	11.0	12.6	1-1939818-4(NATURAL)
6	2	Y	5.0	8.5	10.1	4-1939818-3(YELLOW)
6	2	X	5.0	8.5	10.1	3-1939818-3(YELLOW)
6	2	Y	5.0	8.5	10.1	2-1939818-3(NATURAL)
6	2	X	5.0	8.5	10.1	1-1939818-3(NATURAL)
4	1	Y	2.5	6.0	7.6	4-1939818-2(YELLOW)
4	1	X	2.5	6.0	7.6	3-1939818-2(YELLOW)
4	1	Y	2.5	6.0	7.6	2-1939818-2(NATURAL)
4	1	X	2.5	6.0	7.6	1-1939818-2(NATURAL)
POS	n	KEY	A	B	C	PART NO

- 20POS(X-KEY):
 1-1939818-0(NATURAL)
 3-1939818-0(YELLOW)

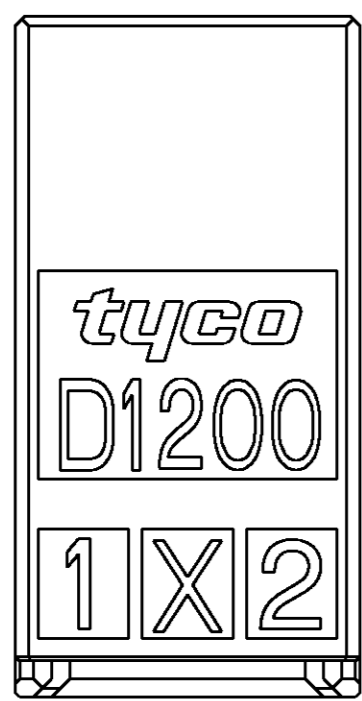
1. MATERIAL
 HOUSING: GLASS FILED THERMO PLASTIC POLYESTER(94V-0)
 COLOR: EXCLUDING BLACK
 CONTACT: COPPER ALLOY
 RETENTION LEG: PRE-TIN COPPER ALLOY

- △2. FINISH(ALL OVER): NICKEL PLATING 1.27μmMIN
 △3. FINISH(CONTACT AREA): GOLD PLATING 0.38μmMIN AFTER △2
 △4. FINISH(CONTACT TAIL): TIN PLATING 2μmMIN AFTER △2
 5. THE SHAPE, SIZE AND POSITION OF THE CHARACTER SHOW THE OUTLINE. THEY DON'T SHOW DETAILS.
 6. THE KEYING ARRANGEMENT OF "Y" IS SYMMETRIC WITH "X".

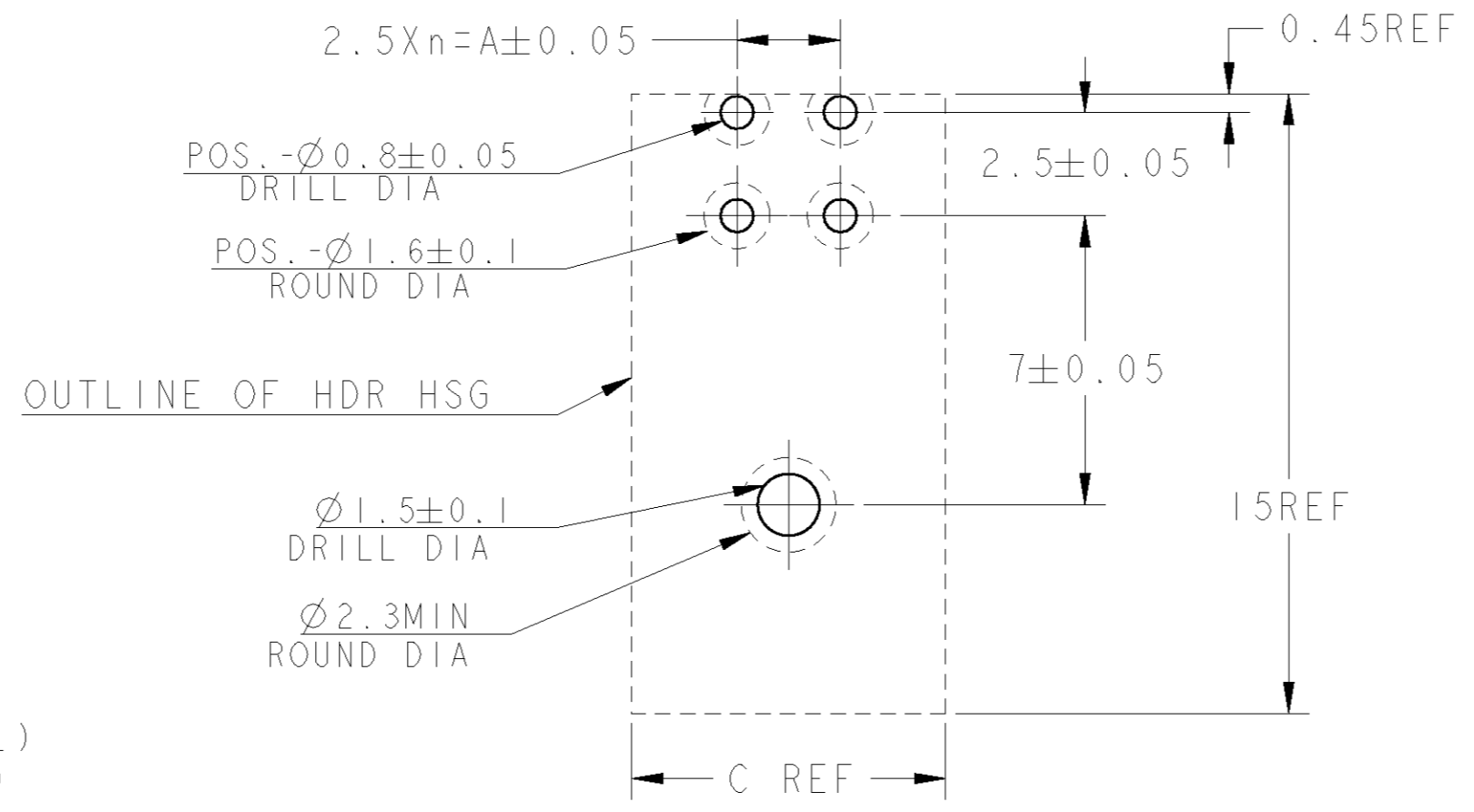
THIS DRAWING IS A CONTROLLED DOCUMENT FOR TYCO ELECTRONICS CORPORATION IT IS SUBJECT TO CHANGE AND THE CONTROLLING ENGINEERING ORGANIZATION SHOULD BE CONTACTED FOR THE LATEST REVISION.		DWN M. MAEBASHI 23MAR2007	Tyco Electronics AMP K.K. Kawasaki, Japan	
DIMENSIONS: 単位: 純 mm		CHK T. KUDO 23MAR2007	NAME D. MITSUGI	
TOLERANCES UNLESS OTHERWISE SPECIFIED: 一般公差 ±0.3, ±3° 0-PLC ±0.5 1-PLC ±0.5 2-PLC ±0.13 3-PLC ±0.013 4-PLC ±0.0001 ANGLES ±		APVD D. MITSUGI 23MAR2007	PRODUCT SPEC 108-78268	
MATERIAL 材料		APPLICATION SPEC 取付適用規格 114-5377	DRAWING NO C-1939818	
		WEIGHT -	SIZE A2	RESTRICTED TO -
CUSTOMER DRAWING		SCALE 6:1	SHEET 1 OF 3	REV A

THIS DRAWING IS UNPUBLISHED. RELEASED FOR PUBLICATION 20
 © COPYRIGHT 20 BY TYCO ELECTRONICS CORPORATION. ALL RIGHTS RESERVED.

LOC	DIST	REVISIONS					
J	-	P	LTR	DESCRIPTION	DATE	DWN	APVD
				SEE SHEET 1 OF 3			



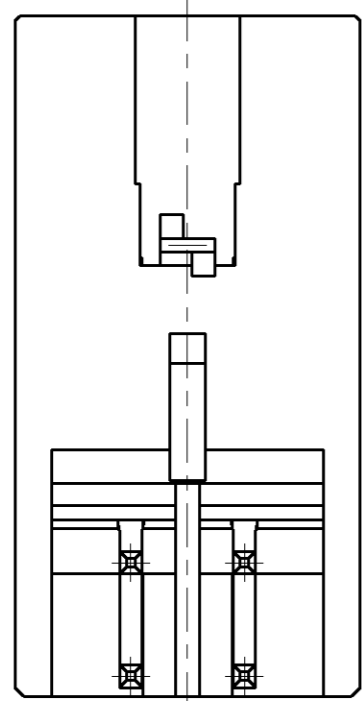
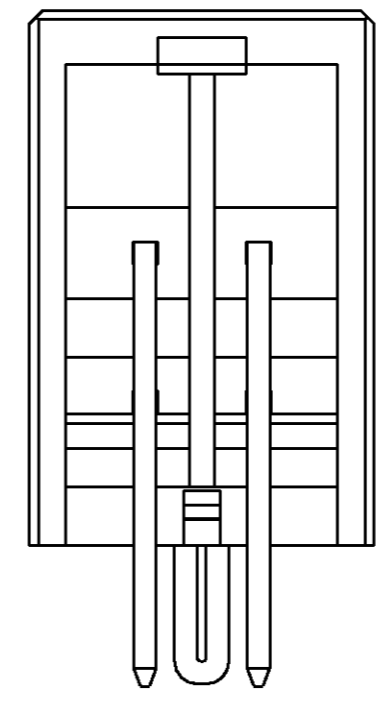
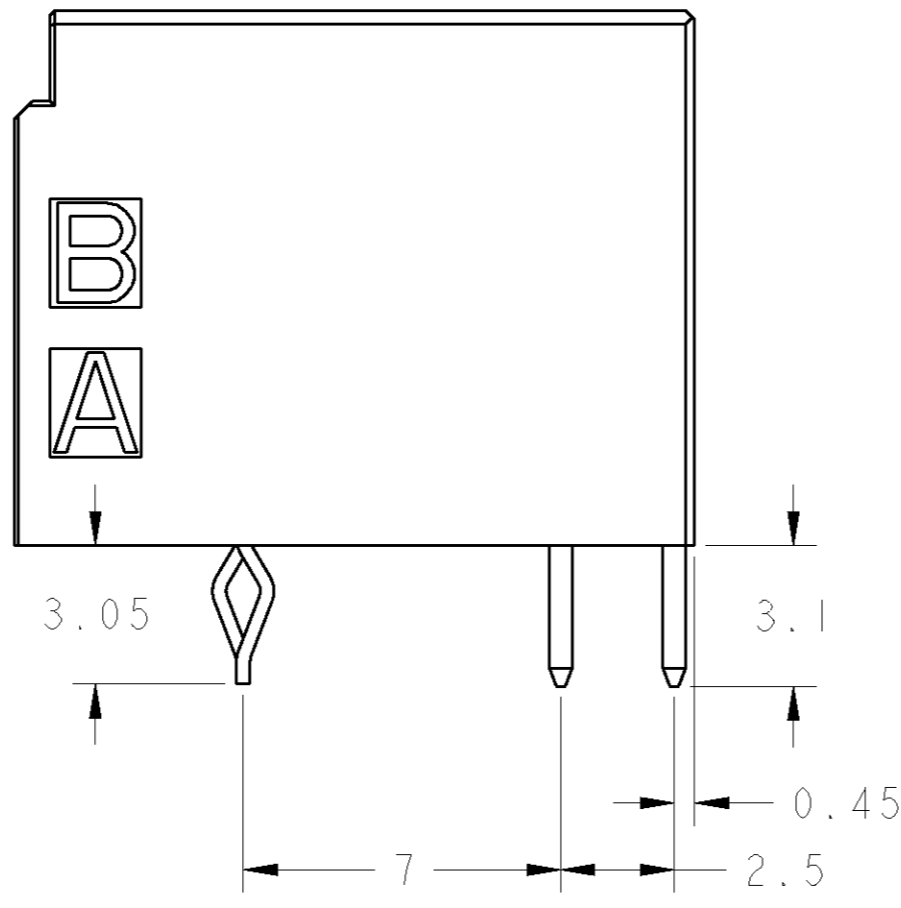
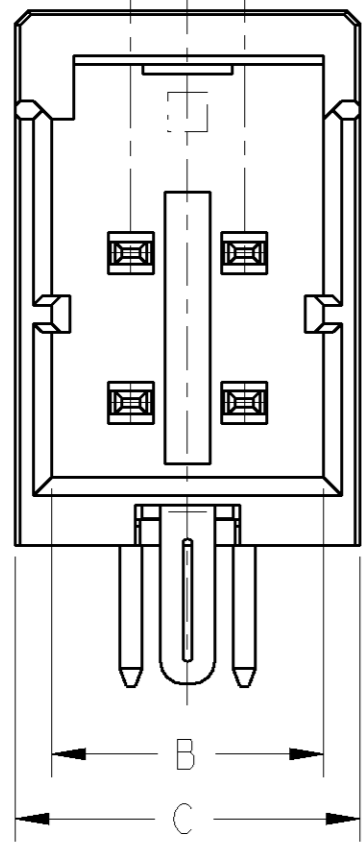
4POS (X-KEY):
 1-1939818-2 (NATURAL)
 3-1939818-2 (YELLOW)



推奨基板取付穴寸法: コネクタ搭載面 (非累積公差)
 PC基板厚: 1.0~1.6±0.1

RECOMMEND PC BOARD HOLE PATTERN
 : CONNECTOR MOUNT SIDE (NOT ACCUMULATE TOLERANCE)
 PC BOARD THICKNESS : 1.0~1.6±0.1

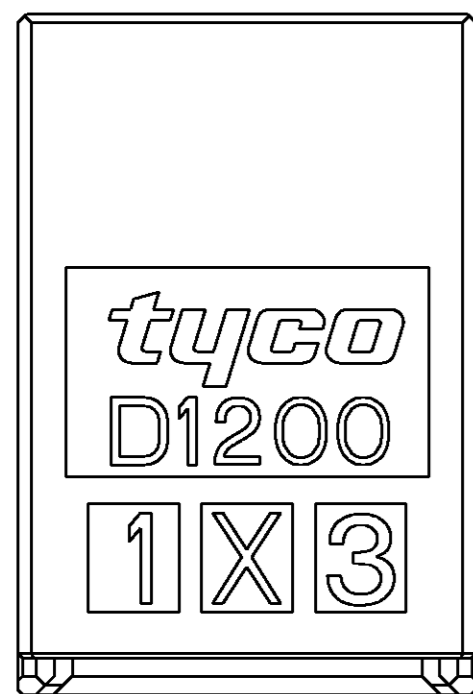
2.5Xn=A



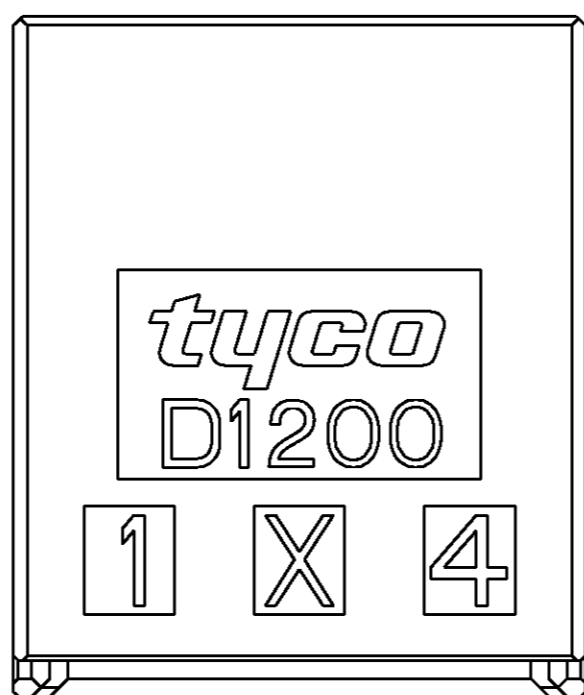
ONLY 4POS

THIS DRAWING IS A CONTROLLED DOCUMENT FOR TYCO ELECTRONICS CORPORATION. IT IS SUBJECT TO CHANGE AND THE CONTROLLING ENGINEERING ORGANIZATION SHOULD BE CONTACTED FOR THE LATEST REVISION.		DWN M. MAEBASHI 23MAR2007	Tyco Electronics AMP K.K. Kawasaki, Japan	
DIMENSIONS: mm		CHK T. KUDO 23MAR2007	NAME DYNAMIC D1200D 2.5mm PITCH HDR ASSY (H-TYPE) COLOR 4-20POS	
TOLERANCES UNLESS OTHERWISE SPECIFIED: 1. PLC ± 2. PLC ± 3. PLC ± 4. PLC ± ANGLES ± FINISH ±		APVD D. MITSUGI 23MAR2007	RESTRICTED TO	
MATERIAL		PRODUCT SPEC 108-78268	SIZE A2	CAGE CODE 00779
		APPLICATION SPEC 114-5377	DRAWING NO. 1939818	REV A
		WEIGHT -	SCALE 6:1 SHEET 2 OF 3	
		CUSTOMER DRAWING		

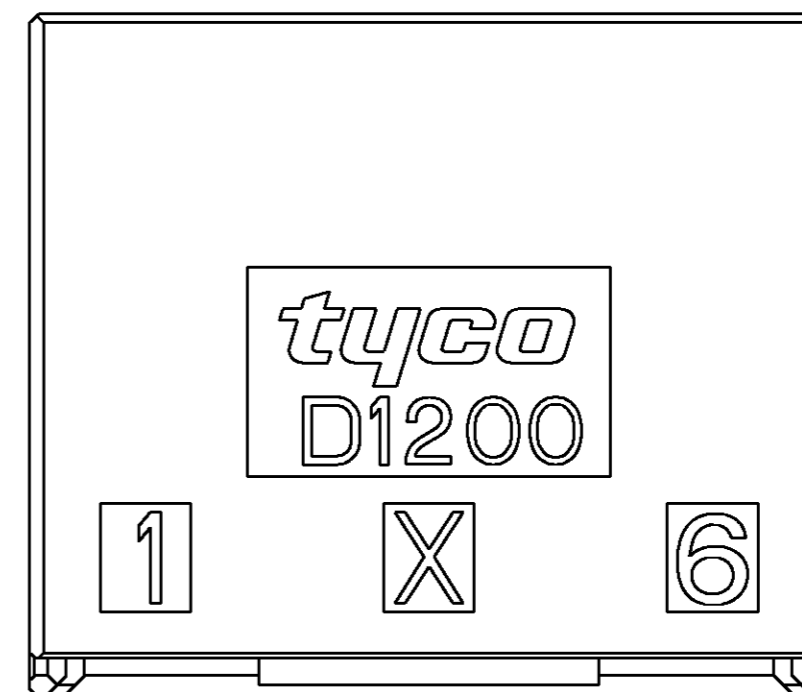
LOC	DIST	REVISIONS				
J	-	P	LTR	DATE	DWN	APVD
				DESCRIPTION		
				SEE SHEET 1 OF 3		



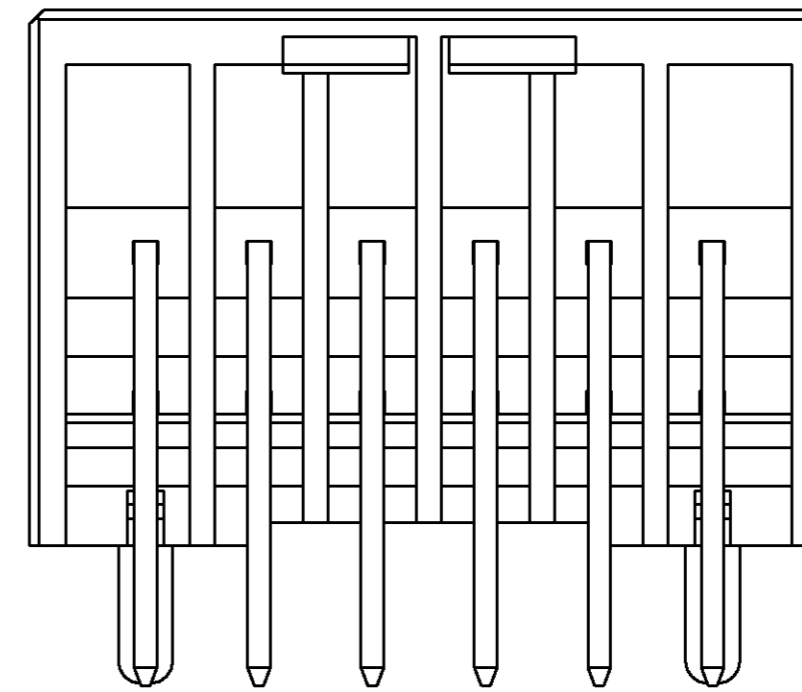
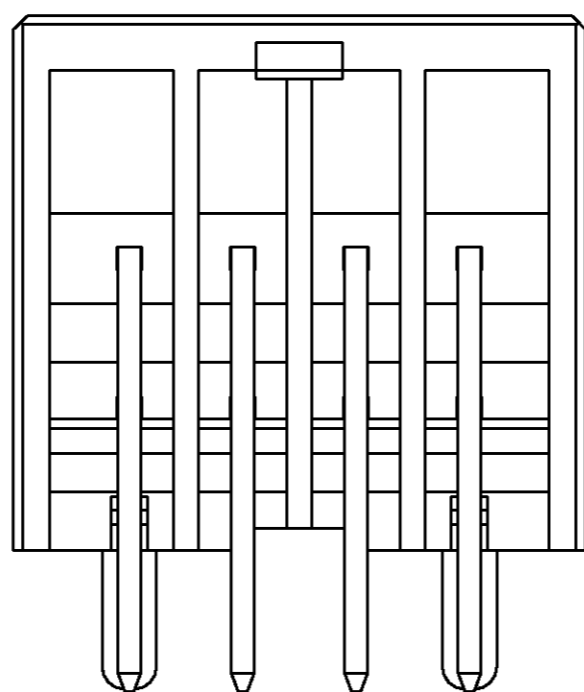
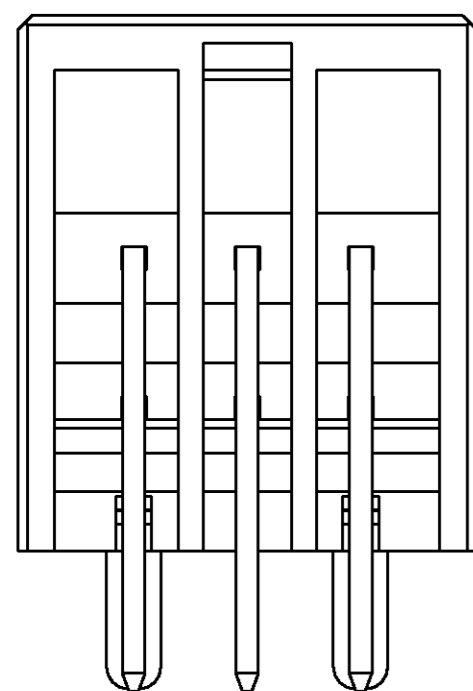
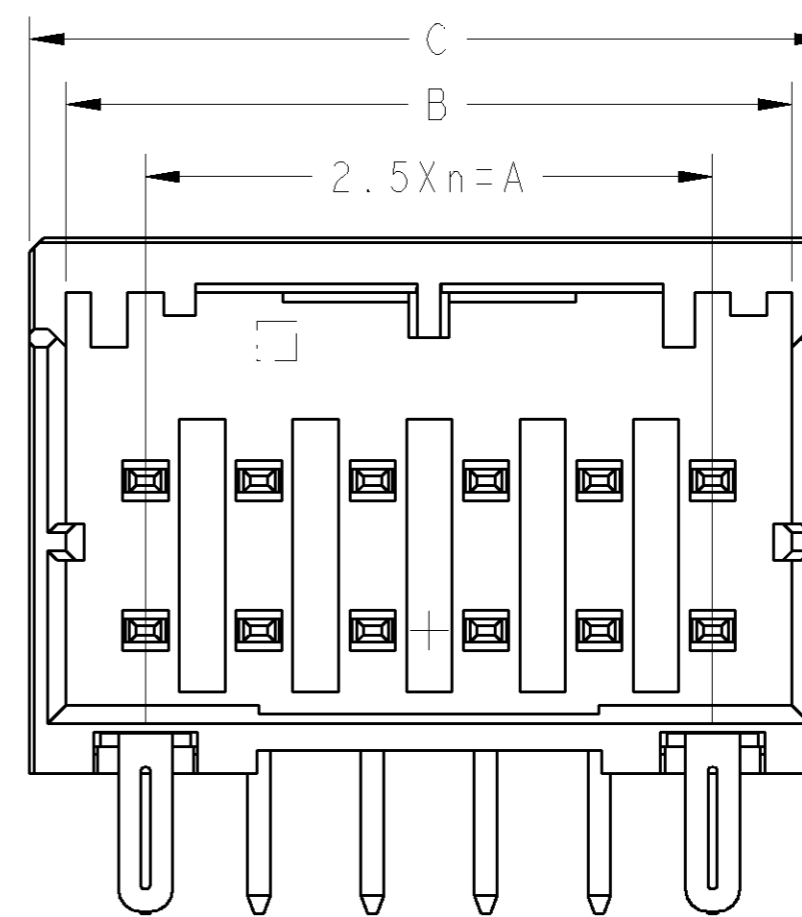
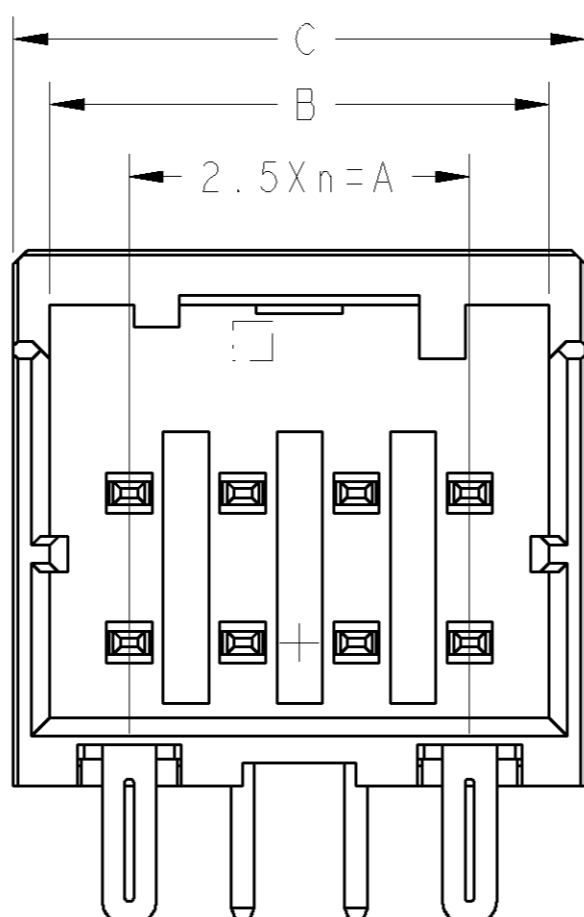
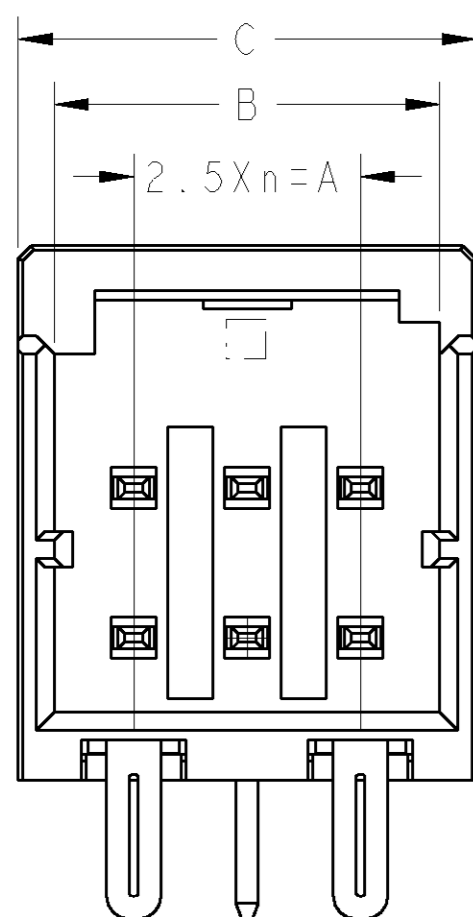
6 POS(X-KEY):
 1-1939818-3(NATURAL)
 3-1939818-3(YELLOW)



8 POS(X-KEY):
 1-1939818-4(NATURAL)
 3-1939818-4(YELLOW)



12 POS(X-KEY):
 1-1939818-6(NATURAL)
 3-1939818-6(YELLOW)



<small>THIS DRAWING IS A CONTROLLED DOCUMENT FOR TYCO ELECTRONICS CORPORATION. IT IS SUBJECT TO CHANGE AND THE CONTROLLING ENGINEERING ORGANIZATION SHOULD BE CONTACTED FOR THE LATEST REVISION.</small>		DWN M. MAEBASHI 23MAR2007 CHK T. KUDO 23MAR2007 APVD D. MITSUGI 23MAR2007	tyco Tyco Electronics AMP K.K. Electronics Kawasaki, Japan
DIMENSIONS: mm	TOLERANCES UNLESS OTHERWISE SPECIFIED: 1 PLC ± 2 PLC ± 3 PLC ± 4 PLC ± ANGLES ± FINISH ±	PRODUCT SPEC 108-78268 APPLICATION SPEC 114-5377 WEIGHT - CUSTOMER DRAWING	NAME DYNAMIC D1200D 2.5mm PITCH HDR ASSY (H-TYPE) COLOR 4-20POS SIZE A2 CAGE CODE 00779 C=1939818 DRAWING NO. 1939818 RESTRICTED TO - SCALE 6:1 SHEET 3 OF 3 REV A