

| LOC | DIST | REVISIONS | | | | | |
|-----|------|-----------|-----|---------------|-----------|-----|------|
| | | P | LTR | DESCRIPTION | DATE | DWN | APVD |
| J | - | | A | RELEASED | 26JUL2007 | S.F | Y.F |
| | | | B | REVISED | 10JUL2008 | S.F | Y.F |
| | | | | ECR-08-014436 | | | |

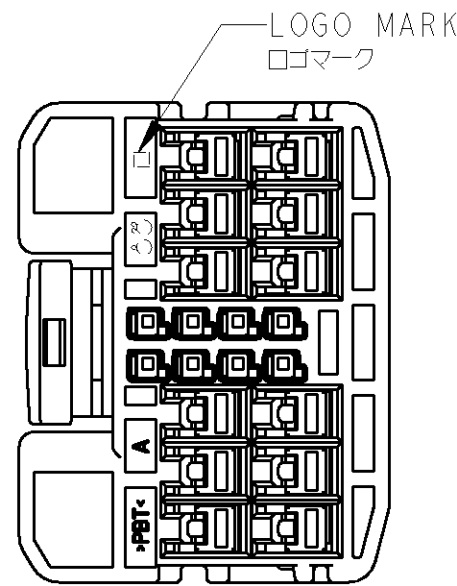
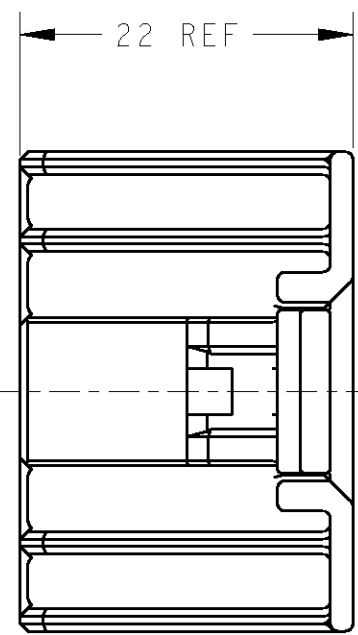
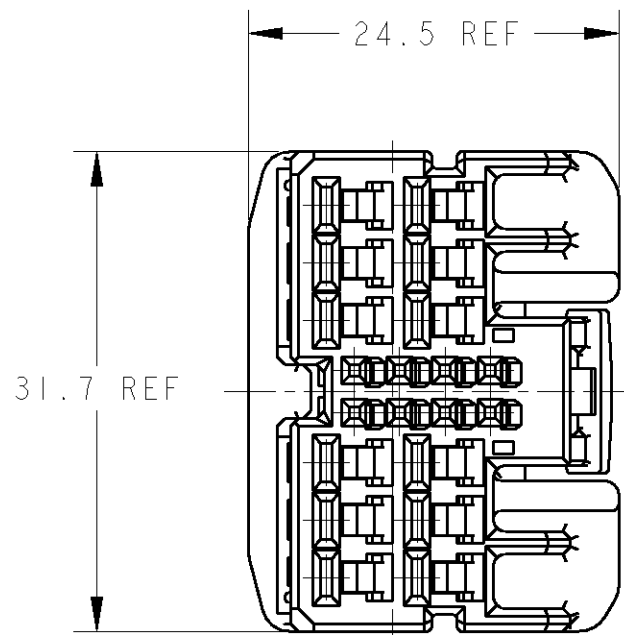
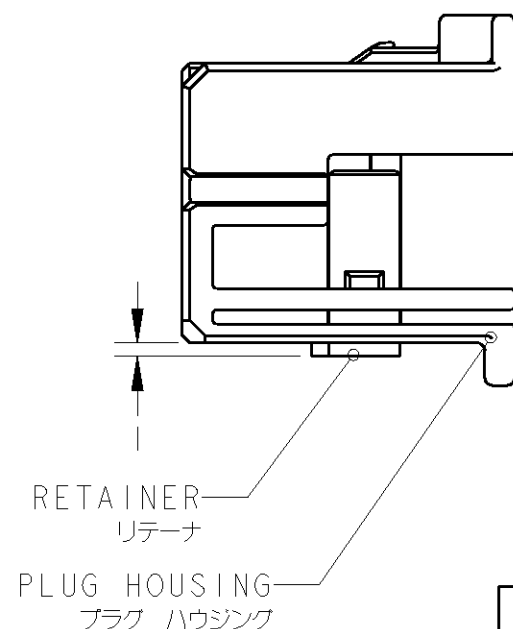


TABLE - 1

| POS. 極数 | CAP HOUSING P/N キャップハウジング型番 |
|------------|--------------------------------|
| 20 | 1939608-1 |

TABLE - 2

| TYPE 端子種類 | FINISH 仕上げ | APPLICABLE TERMINAL P/N 適用端子型番 | APPLICABLE WIRE RANGE 適用電線 (mm ²) |
|----------------|---------------|-----------------------------------|---|
| SIGNAL 0.64 | TIN | 1674311-1 | AVSS/AVSSH/AESSX 0.3~0.5 CAVS/CAVUS |
| POWER 2.3 | TIN | 1981341-1 | AVS/CAVS/AVSS/CAVUS 0.3~0.5 AVX/AEX/ABAVX 0.5f |
| | TIN | 1981341-2 | AVS/CAVS/CAVUS 0.85~1.25 AVSS 0.75f, 0.85~2.0 |



| PAPER BOX ダンボール箱 | PLASTIC BAG ビニール袋 | BLACK 黒色 | 1939605-1 |
|-----------------------|----------------------|-------------|---------------------|
| OUTER 外装 | INNER 内装 | COLOR 色 | PART NUMBER 製品型番 |
| PACKING STYLE 梱包形態 | | | |

1. プラグハウジングにリテーナを仮係止して出荷される。
2. 嵌合相手型番: TABLE - 1 参照。
3. 適用端子: TABLE - 2 参照。

1. RETAINER MUST BE SET TO THE PRE-ASSEMBLY POSITION WITHIN THE PLUG HOUSING WHEN SHIPPED TO THE CUSTOMER.
2. PART NUMBER OF CAP HOUSING TO BE MATED: SEE TABLE - 1.
3. APPLICABLE TERMINAL: SEE TABLE - 2.

| | | | | | |
|--|--|--|--|--|--|
| <small>THIS DRAWING IS A CONTROLLED DOCUMENT FOR TYCO ELECTRONICS CORPORATION. IT IS SUBJECT TO CHANGE AND THE CONTROLLING ENGINEERING ORGANIZATION SHOULD BE CONTACTED FOR THE LATEST REVISION.</small> | | DWN 26JUL2007 S. FURUYA CHK 26JUL2007 T. KOHNO APVD 26JUL2007 Y. FUJIWARA | | Tyco Electronics AMP K.K. Kawasaki, Japan | |
| DIMENSIONS: 単位: 概 mm | | TOLERANCES UNLESS OTHERWISE SPECIFIED: 一般公差 ±0.3 0-PLC ± 1-PLC ±0.5 2-PLC ±0.13 3-PLC ±0.013 4-PLC ±0.001 ANGLES ±3'00" | | NAME 名称 0.64/2.3 SERIES 20POS PLUG HOUSING ASSEMBLY | |
| MATERIAL 材料 PBT | | FINISH 仕上げ SEE TABLE | | PRODUCT SPEC 製品規格 108-78408 APPLICATION SPEC 取付適用規格 114-5329, 114-5411 WEIGHT 重量 8 g | |
| | | CUSTOMER DRAWING | | SIZE 寸法 A3 CAGE CODE 番号 00779 DRAWING NO 番号 C-1939605 RESTRICTED TO 制限 | |
| | | SCALE 尺度 2:1 | | SHEET 1 OF 1 REV B | |