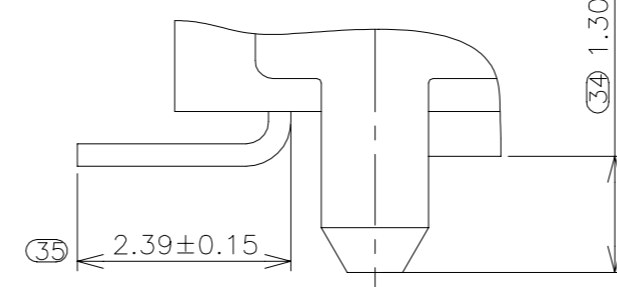
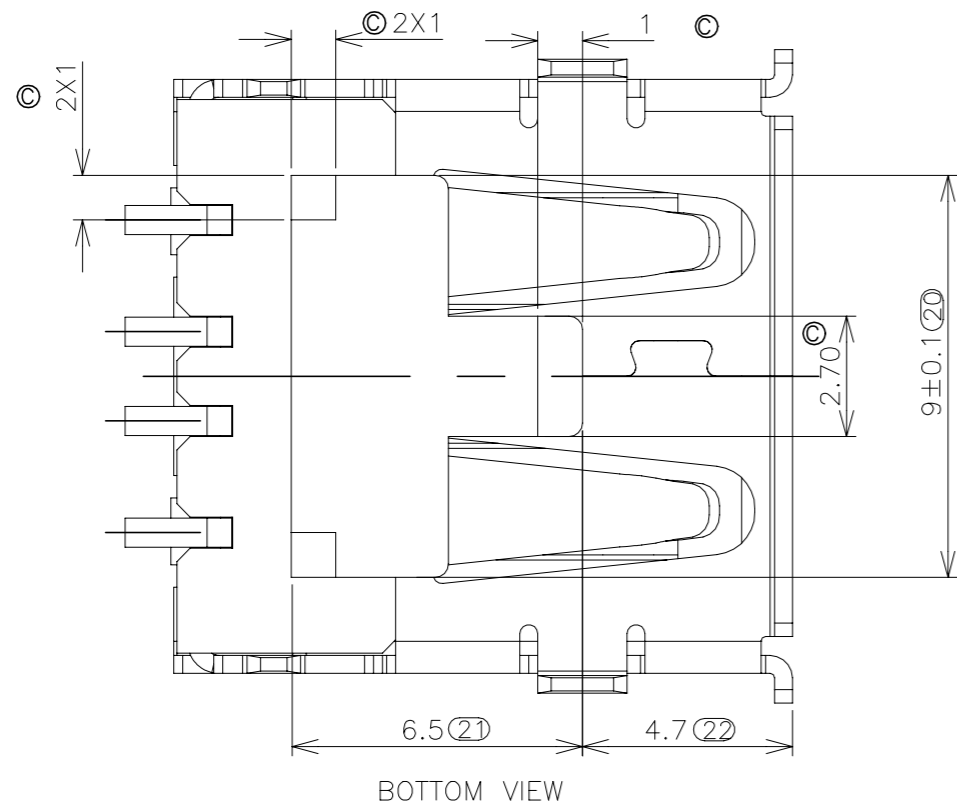
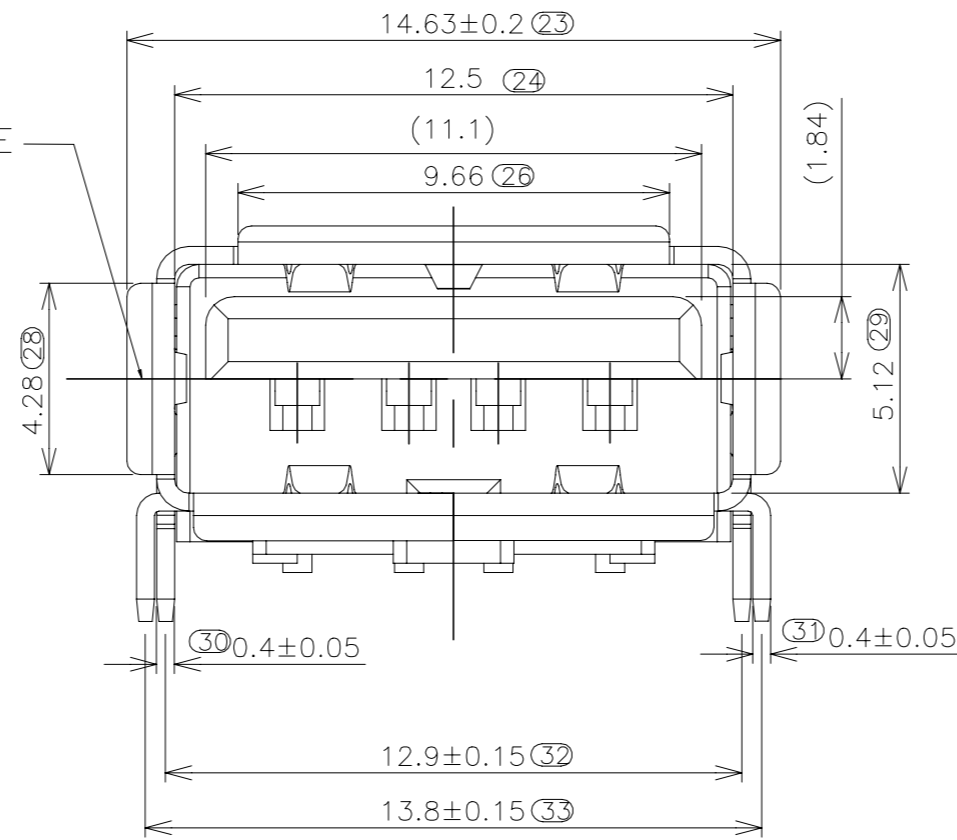
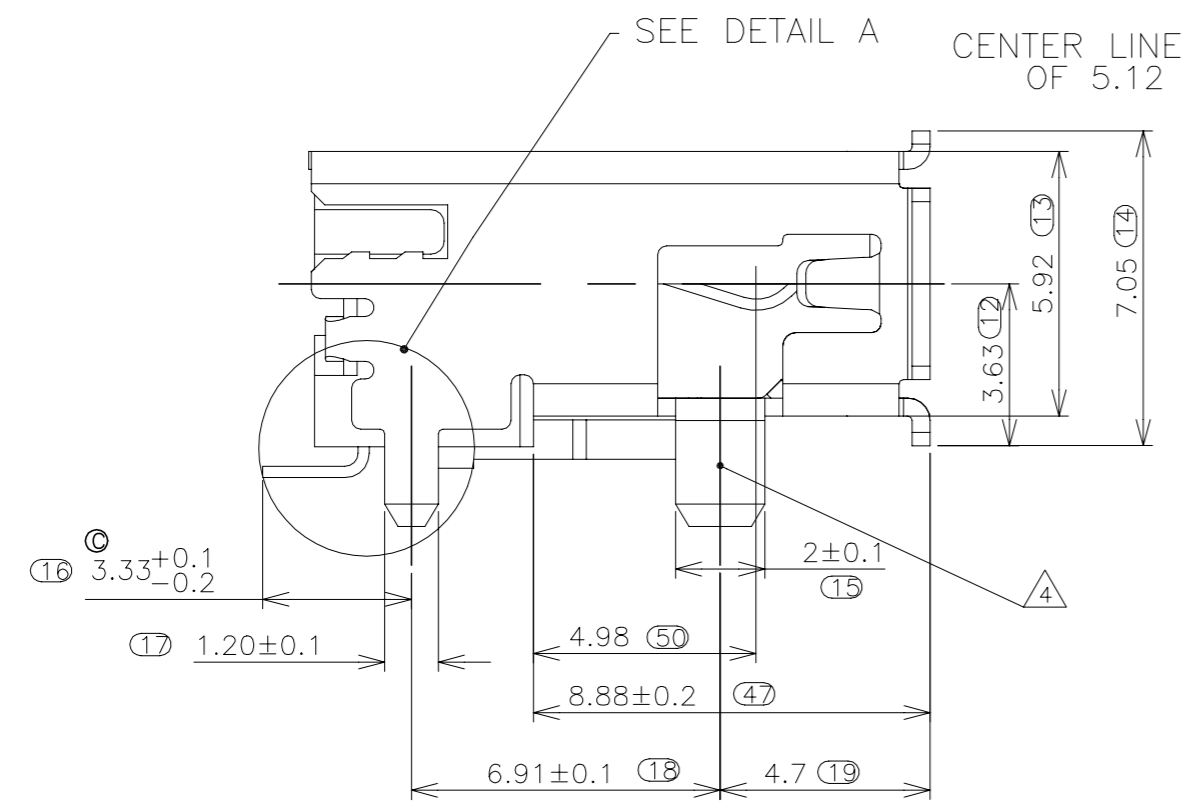
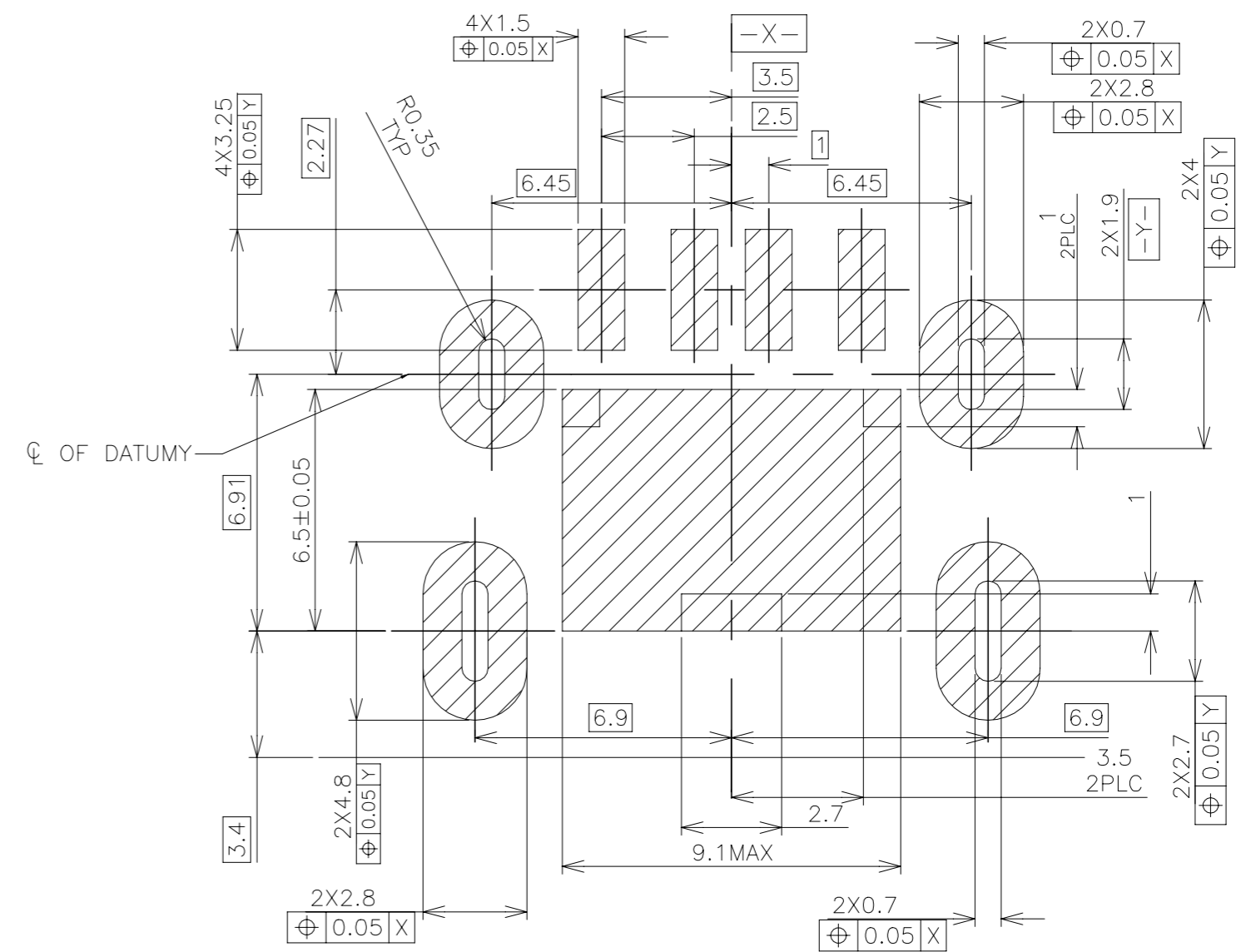
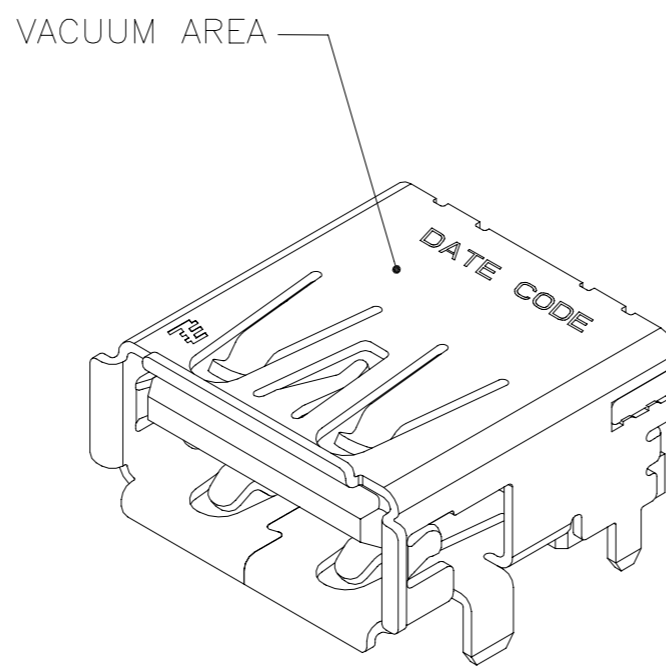
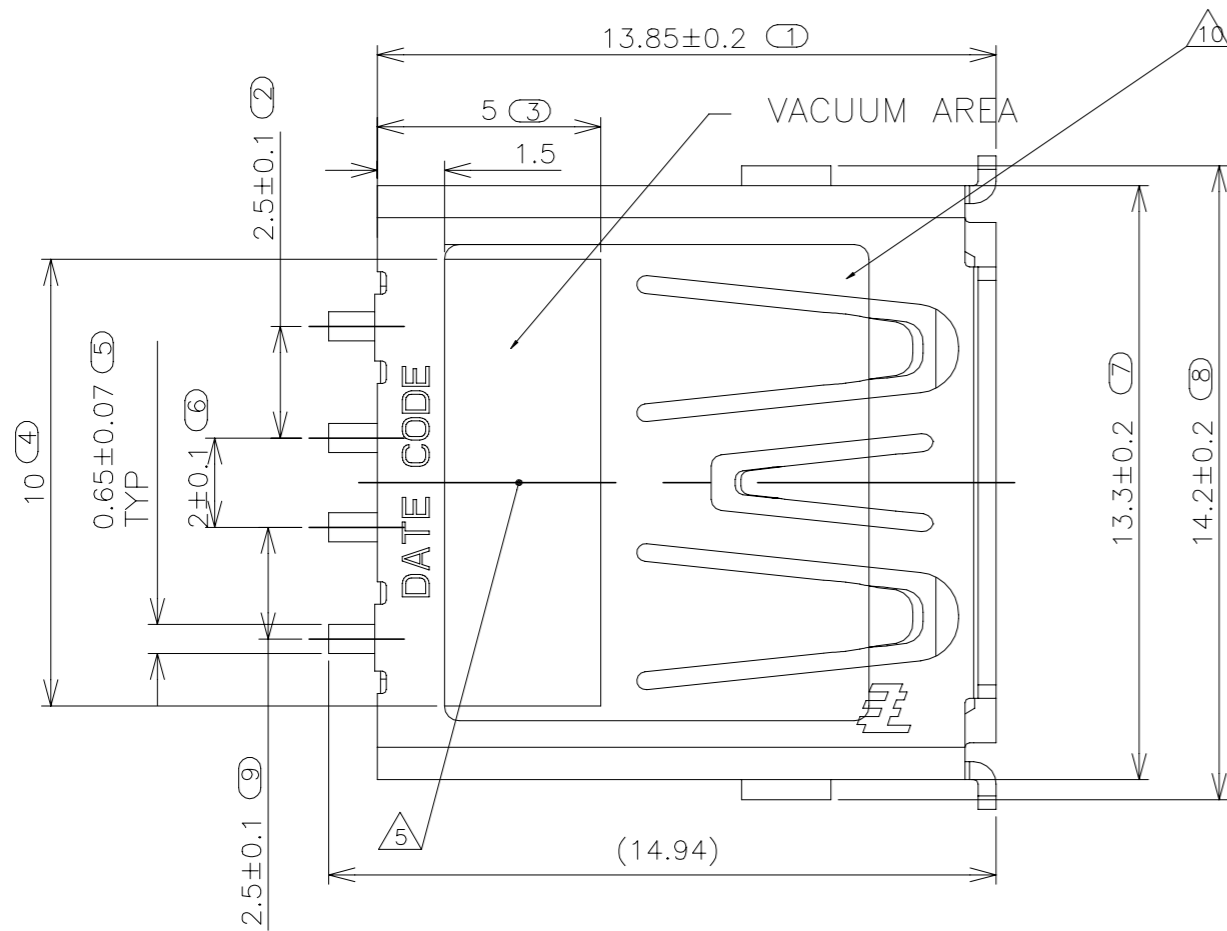


REVISIONS				
P	LTR	DESCRIPTION	DATE	DWN APVD
	K	REVISED PER ECN-22-169654	16AUG2022	AK SZ



NOTE

△ MATERIALS:
 △ HOUSING: LCP UL 94V-0 RATED ;COLOR:BLACK
 CONTACT (1932638-6): COPPER ALLOY, BRASS
 CONTACT (1932638-8) : COPPER ALLOY, PHOS BRONZE
 ① SHIELD: STAINLESS STEEL
 △ DELETED.

△ FINISH
 △ CONTACT : 0.76um MIN GOLD PLATING AND POROSITY SEALING TREATMENT ON CONTACT AREA
 3.8um MIN MATTE TIN ON SOLDER TAILS
 1.27um MIN NICKEL UNDER PLATING
 △ CONTACT : 0.05um MIN GOLD PLATING OVER 0.75um MIN Pd-Ni, AND POROSITY SEALING TREATMENT ON CONTACT AREA
 3.8um MIN MATTE TIN ON SOLDER TAILS
 1.27um MIN NICKEL UNDER PLATING
 SHIELD: POINT ④ IS 3um MIN AND POINT ⑤ IS 2.5um MAX
 MATTE TIN ALL OVER 1.0um MIN NICKEL.
 INCLUDES FRACTURE SURFACE(EDGE)
 △ TINE CORPLANARITY MUST BE UNDER 0.1 MAX

REV	DESCRIPTION	DATE	DWN	APVD	PART NUMBER
9					1932638-8
7					1932638-6
5					1932638-5
4					1932638-4
3					1932638-3
2					1932638-2

THIS DRAWING IS A CONTROLLED DOCUMENT.

DWN ADAMS LV 21SEP2013
 CHK MARTIN LI 21SEP2013
 APVD STEVEN YAO 21SEP2013

TE Connectivity
 RECEPTACLE ASSY,R/A,SMT, USB 2.0

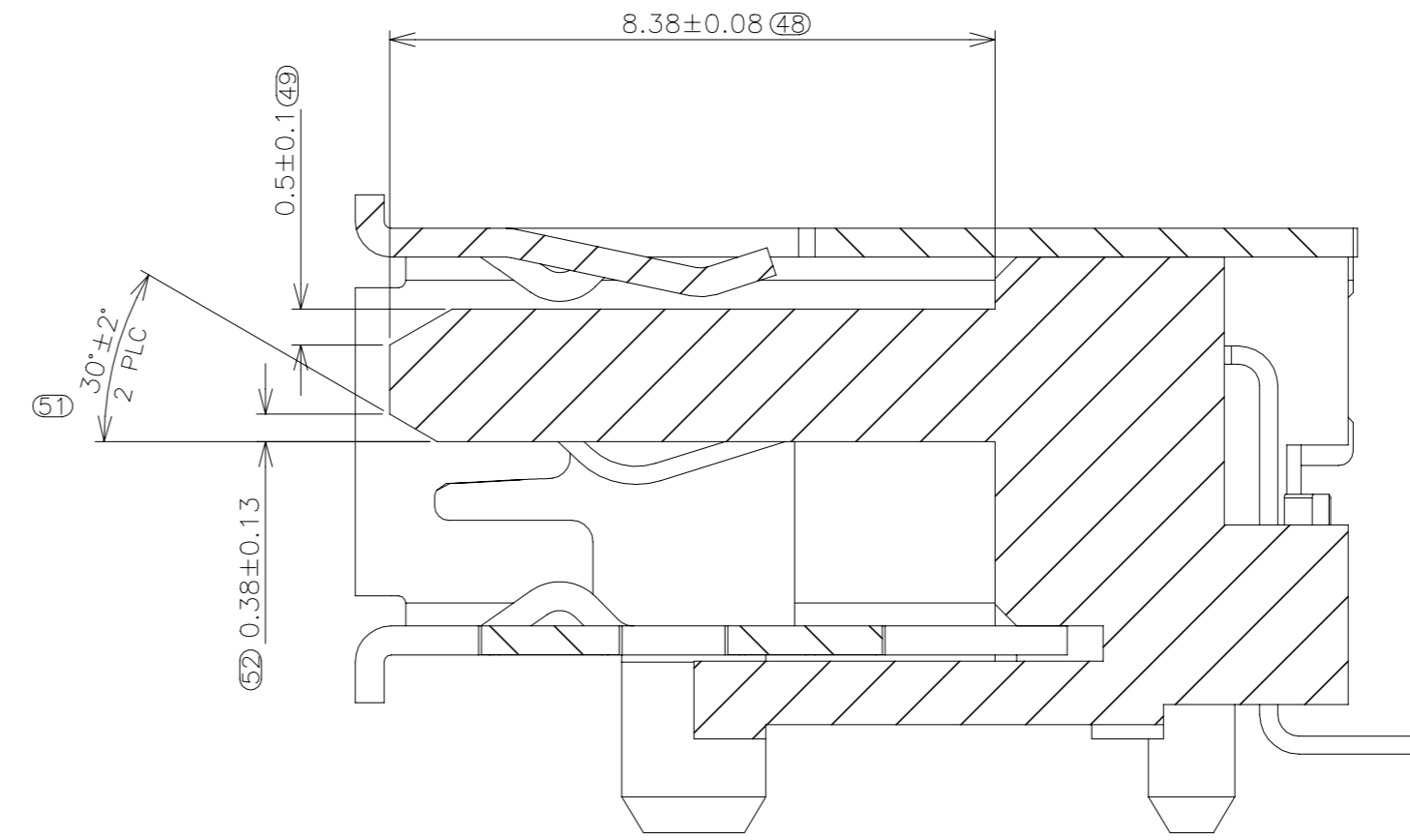
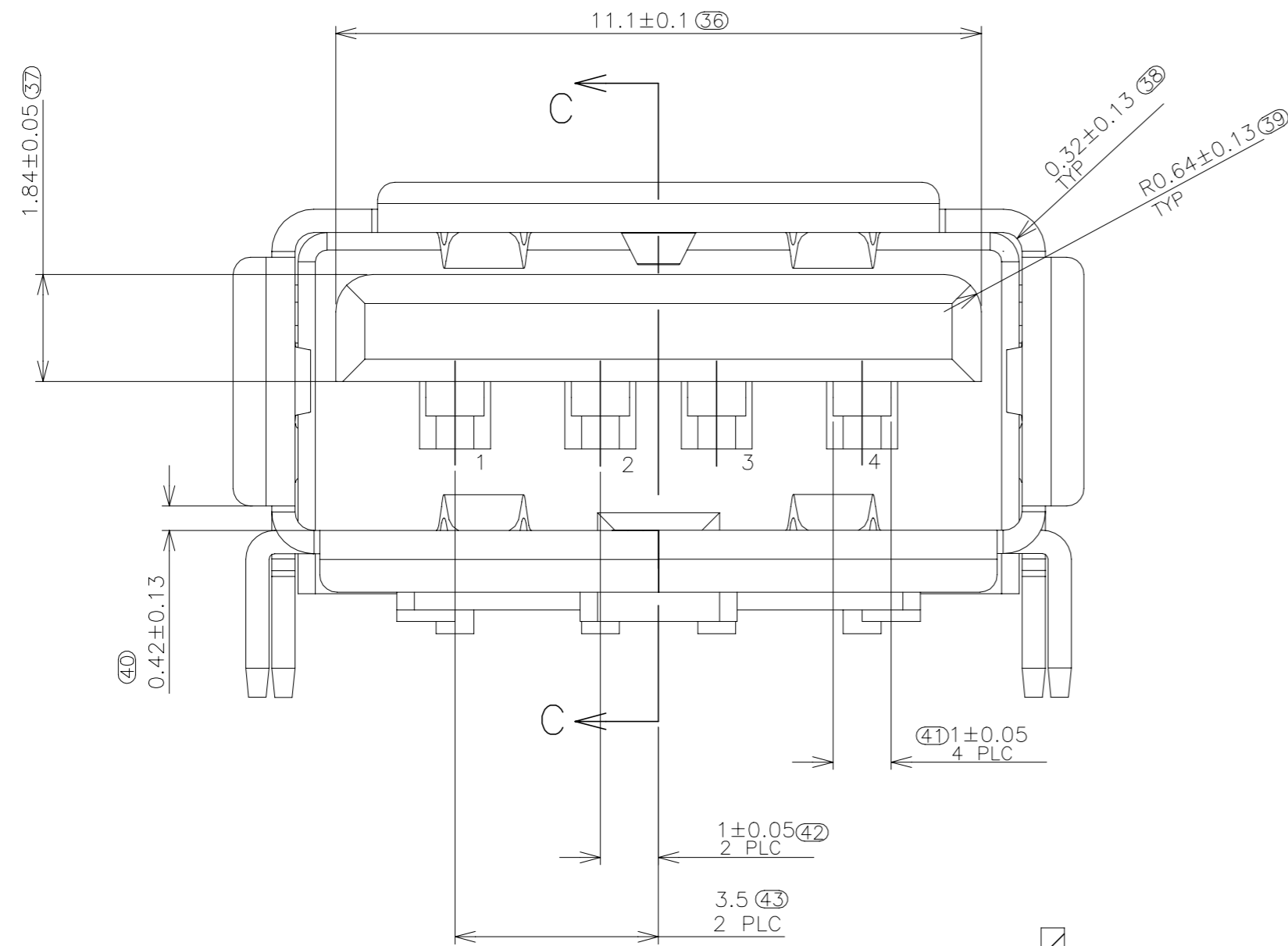
108-60034

SIZE A2 CAGE CODE 00779 DRAWING NO C=1932638 RESTRICTED TO -

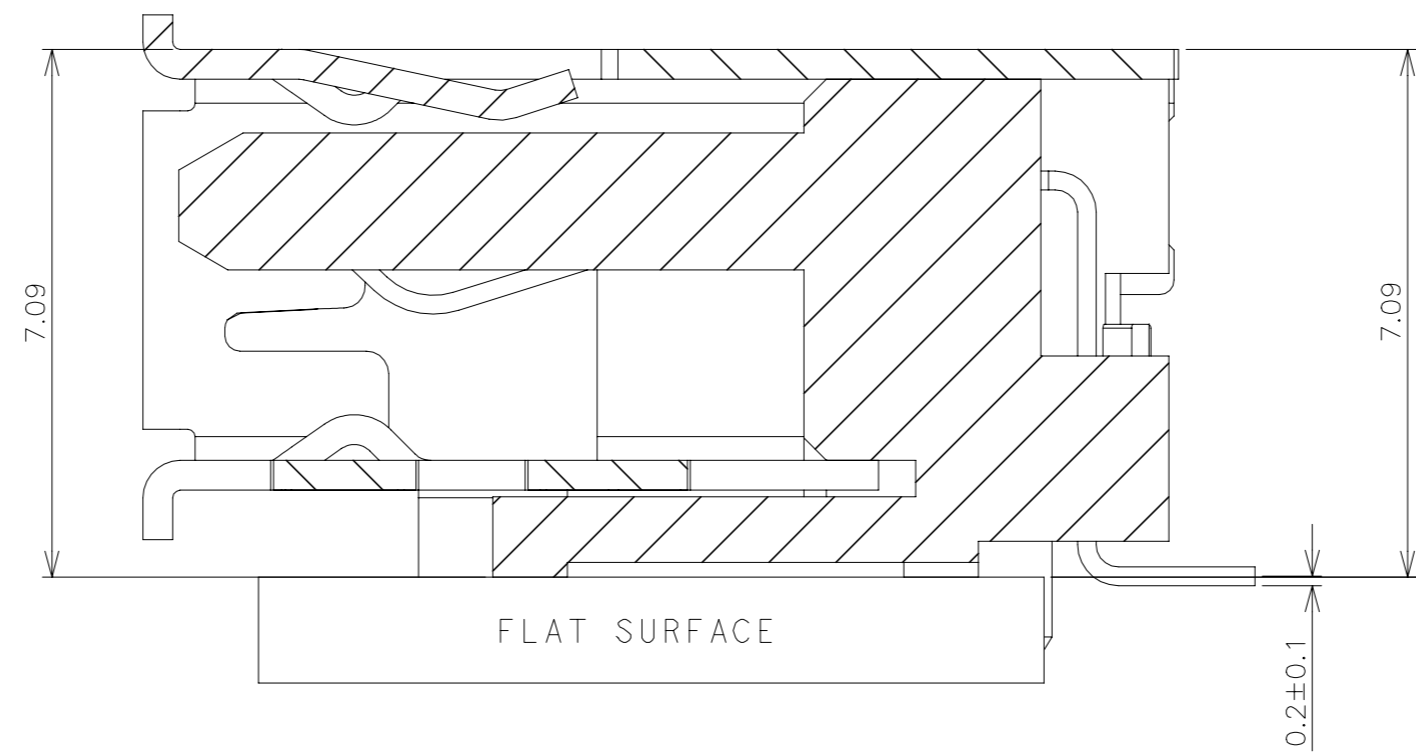
MATERIAL SEE NOTE FINISH SEE NOTE WEIGHT - SCALE 1:1 SHEET 1 of 3 REV K

CUSTOMER DRAWING

P	LTR	DESCRIPTION	DATE	DWN	APVD
		SEE SHEET 1.			



SECTION C-C

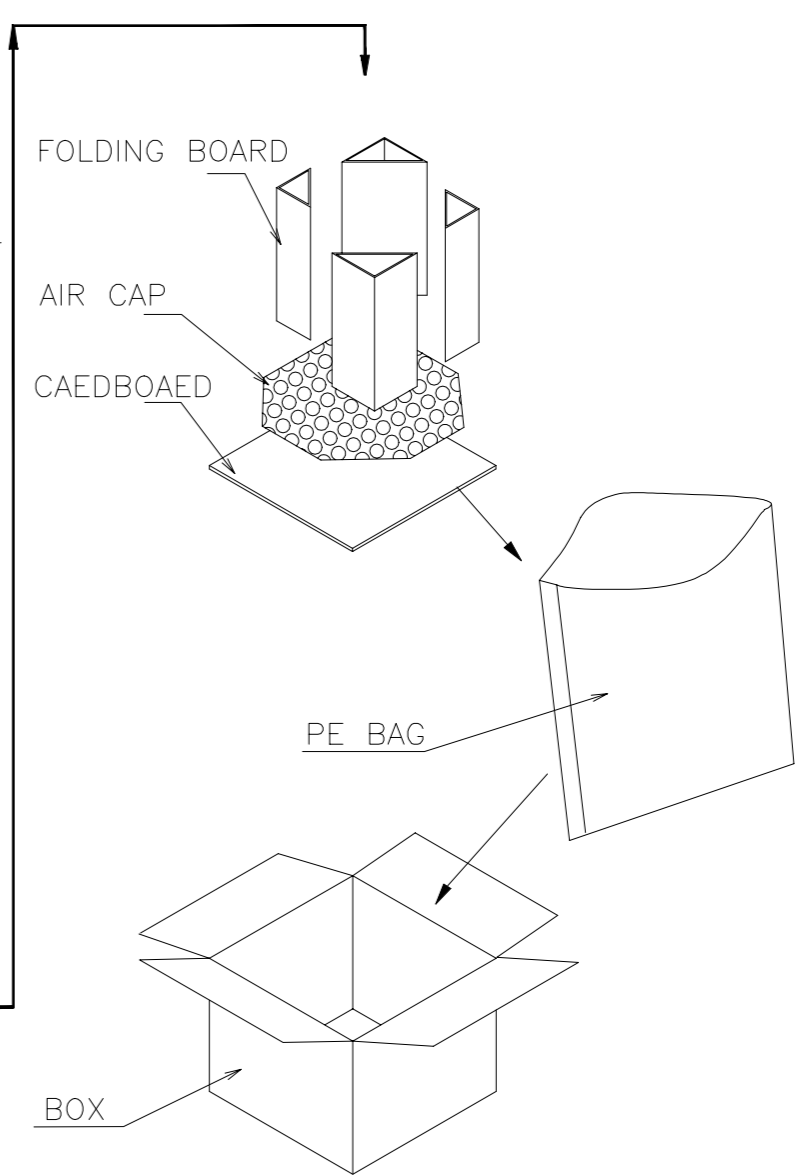
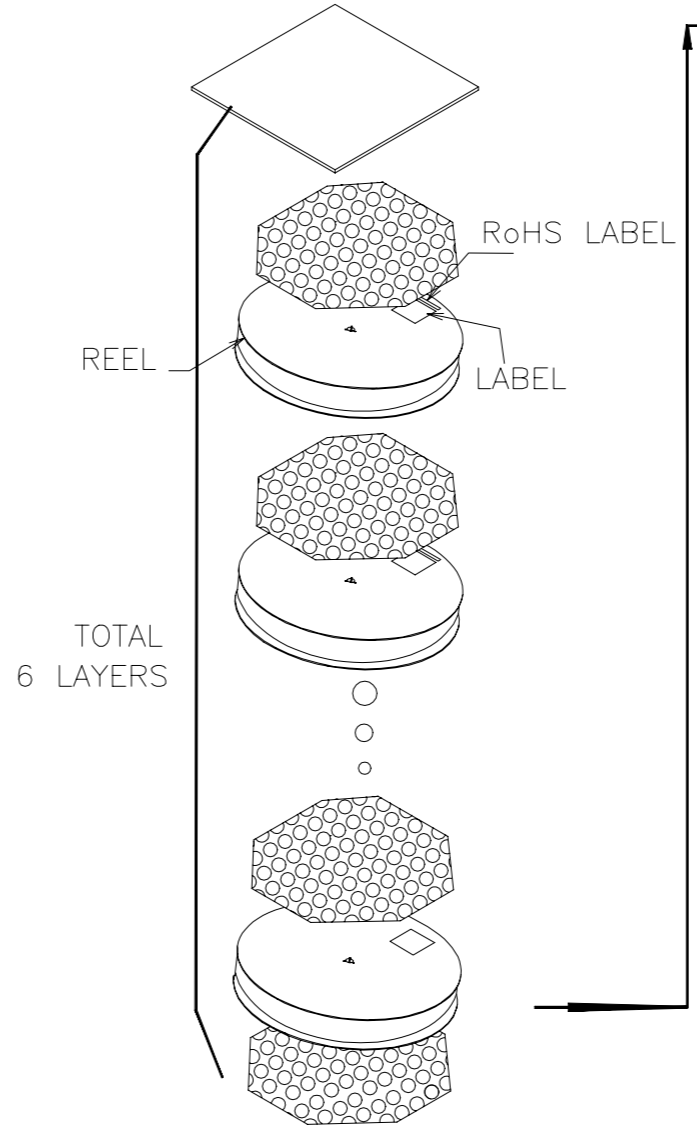
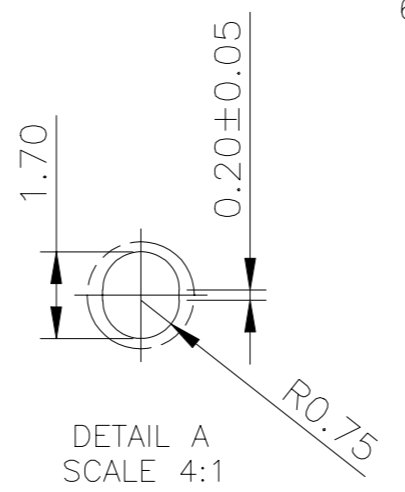
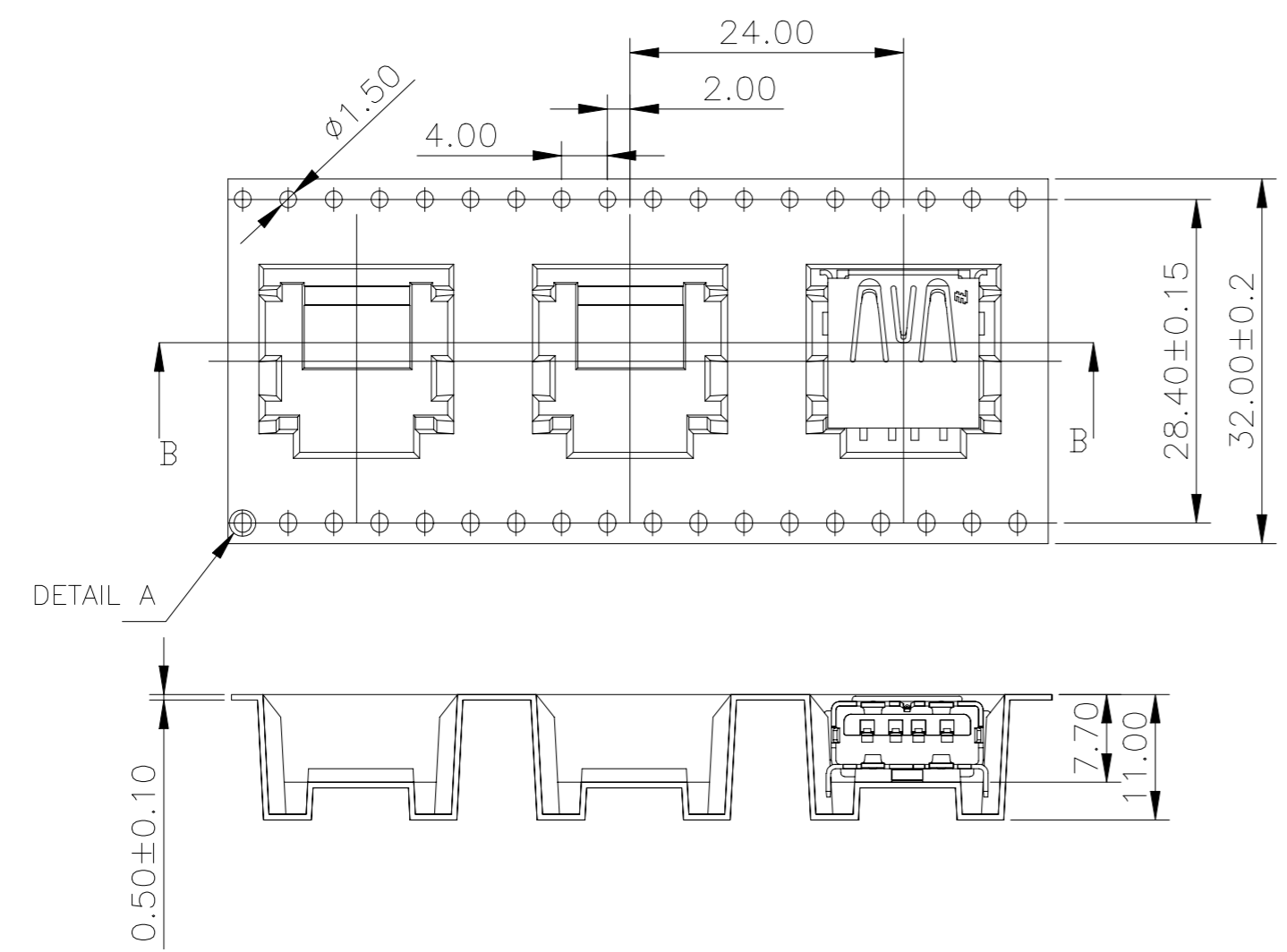
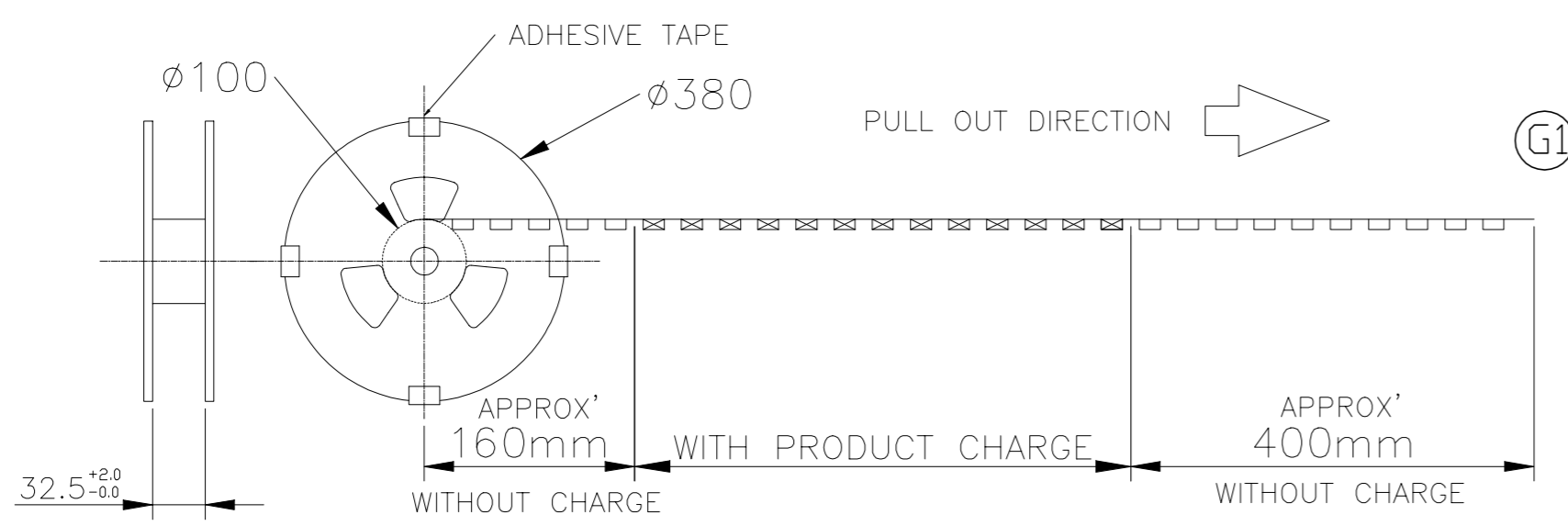


ONLY HOUSING STAND OFFS
ON THE FLAT SURFACE

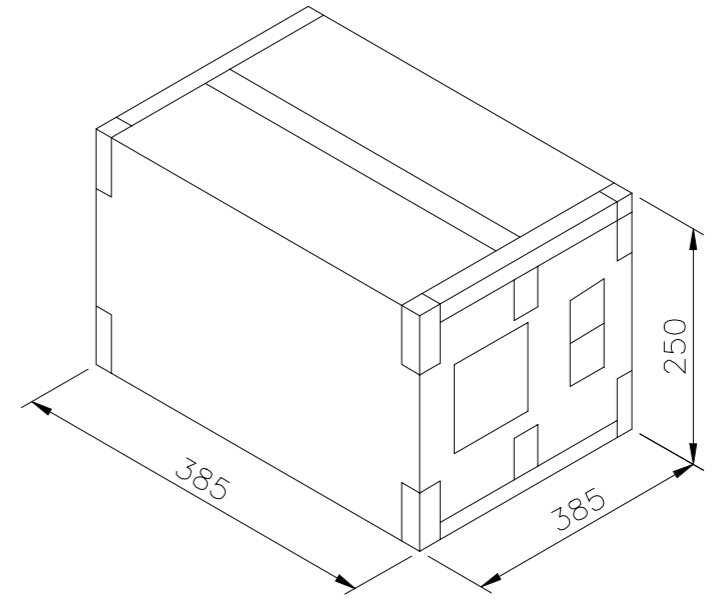
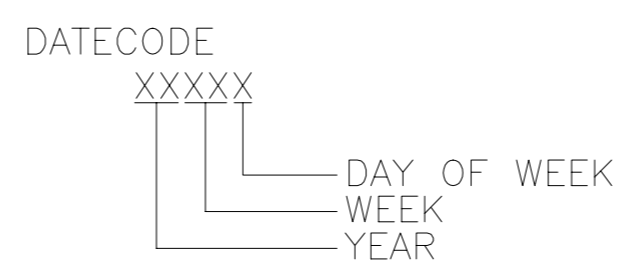
THIS DRAWING IS A CONTROLLED DOCUMENT.		DWN ADAMS LV 21SEP2013		
DIMENSIONS: mm		CHK MARTIN LI 21SEP2013		
TOLERANCES UNLESS OTHERWISE SPECIFIED:		APVD STEVEN YAO 21SEP2013	NAME RECEPTACLE ASSY,R/A,SMT, USB 2.0	
<ul style="list-style-type: none"> 0 PLC ± 0.25 1 PLC ± 0.20 2 PLC ± 0.20 3 PLC ± 0.15 4 PLC ± 0.15 ANGLES ± 3° 		PRODUCT SPEC 108-60034	RESTRICTED TO	
MATERIAL		FINISH	WEIGHT	SIZE A2
-		-	-	CAGE CODE 00779
-		-	DRAWING NO C=1932638	
CUSTOMER DRAWING			SCALE 1:1	SHEET 2 of 3
			REV K	

REVISIONS					
P	LTR	DESCRIPTION	DATE	DWN	APVD
		SEE SHEET 1.			

FOR 1932638-3/4/5/6/8 PACKAGE



8.42KG	4.284KG	350	6	2100
GROSS WEIGHT	NET WEIGHT	PCS/ REEL	REEL/ BOX	PCS/ BOX



- NOTES :
- PACKAGING MATERIAL IN PLASTIC, RUBBER, INK, PIGMENT AND PAINT MUST MEET CONTROLLED SUBSTANCES PER TEC-138-702
 - * CADMIUM AND CADMIUM COMPOUNDS NOT TO EXCEED: 5 PPM.
 - * LEAD, CADMIUM, CHROM VI AND MERCURY NOT TO EXCEED: 100 PPM (COMBINED).
 - * CARRIER TAPES, COVER TAPES, REELS AND TAPED COMPONENTS MUST MEET THE REQUIREMENTS DEFINED PER EIA-481-B.
 - MATERIAL :
 - COVER TAPE : PET MATERIAL, COLOR: TRANSPARENT.
 - CARRIER TAPE : HIPS, COLOR: BLACK.
 - REEL : PC BLUE
 - SHIPPING BOX: CORRUGATED FIBER

THIS DRAWING IS A CONTROLLED DOCUMENT.		DWN ADAMS LV 21SEP2013																
DIMENSIONS: mm		CHK MARTIN LI 21SEP2013																
TOLERANCES UNLESS OTHERWISE SPECIFIED:		APVD STEVEN YAO 21SEP2013	NAME RECEPTACLE ASSY,R/A,SMT, USB 2.0															
<table border="1"> <tr><td>0 PLC</td><td>± 0.25</td></tr> <tr><td>1 PLC</td><td>± 0.20</td></tr> <tr><td>2 PLC</td><td>± 0.20</td></tr> <tr><td>3 PLC</td><td>± 0.15</td></tr> <tr><td>4 PLC</td><td>± 0.15</td></tr> <tr><td>ANGLES</td><td>± 3°</td></tr> </table>		0 PLC	± 0.25	1 PLC	± 0.20	2 PLC	± 0.20	3 PLC	± 0.15	4 PLC	± 0.15	ANGLES	± 3°	PRODUCT SPEC 108-60034	SIZE A2	CAGE CODE 00779	DRAWING NO C=1932638	RESTRICTED TO -
0 PLC	± 0.25																	
1 PLC	± 0.20																	
2 PLC	± 0.20																	
3 PLC	± 0.15																	
4 PLC	± 0.15																	
ANGLES	± 3°																	
MATERIAL -		FINISH -	WEIGHT -	CUSTOMER DRAWING		SCALE 1:1	SHEET 3 of 3	REV K										