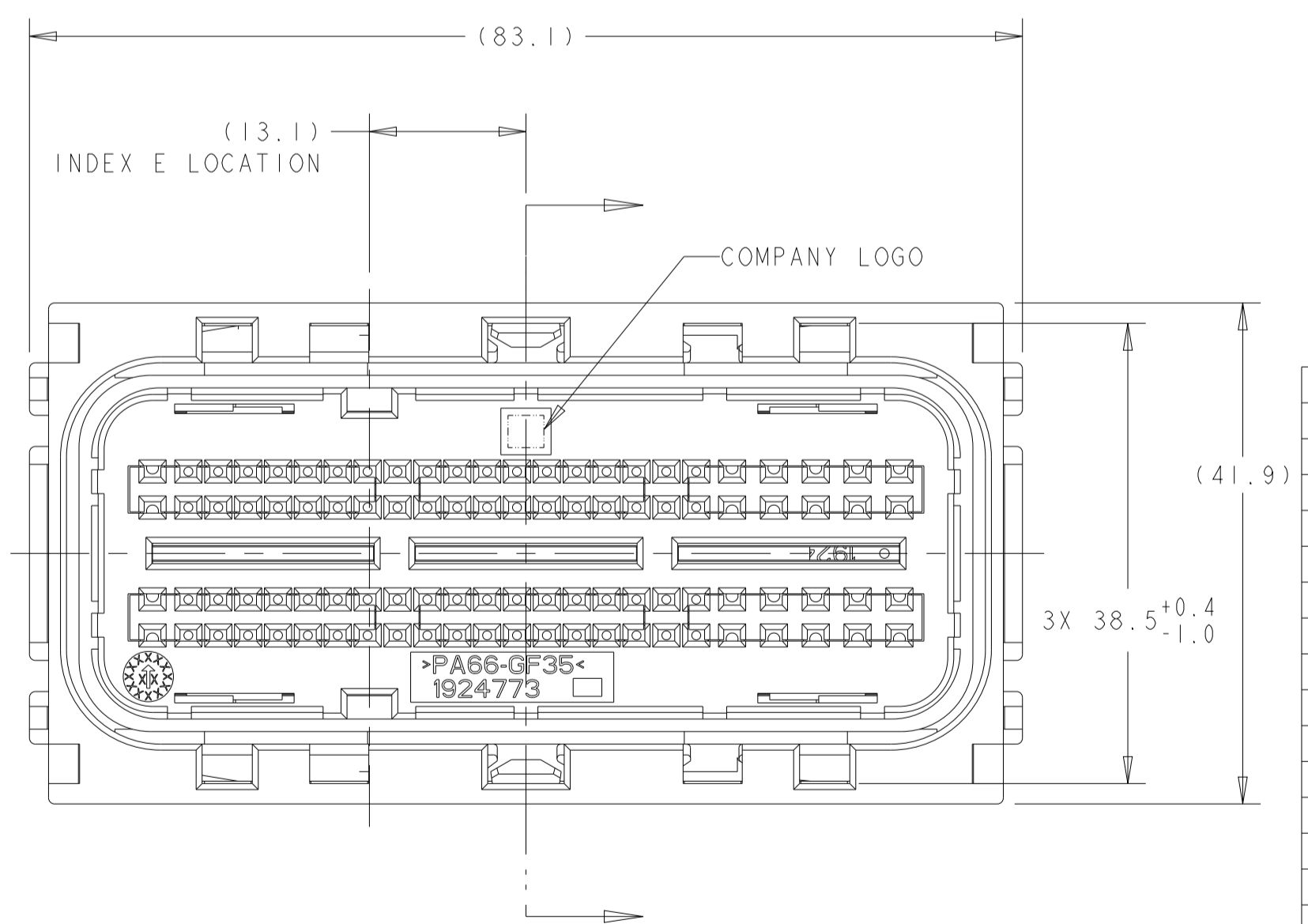
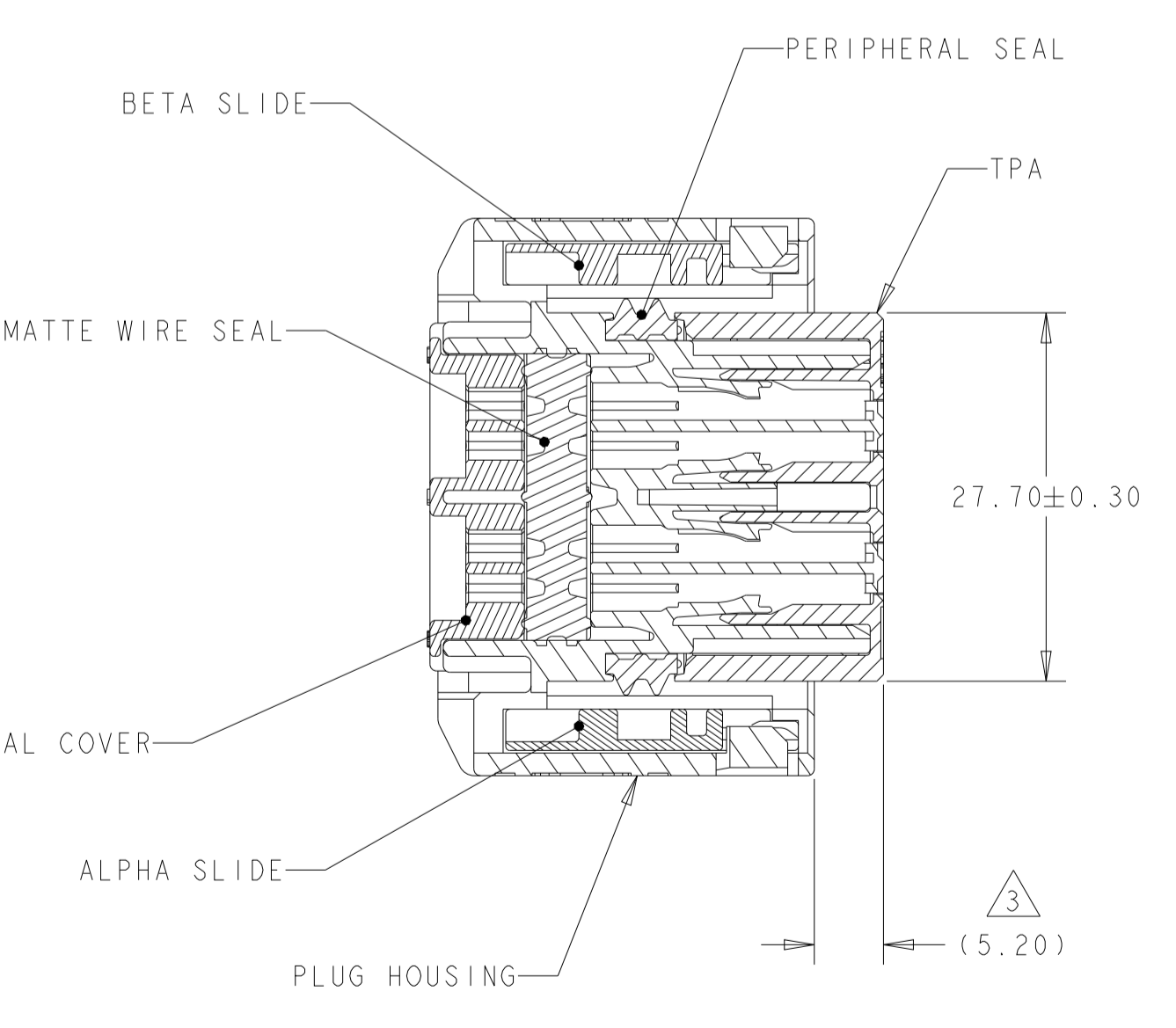
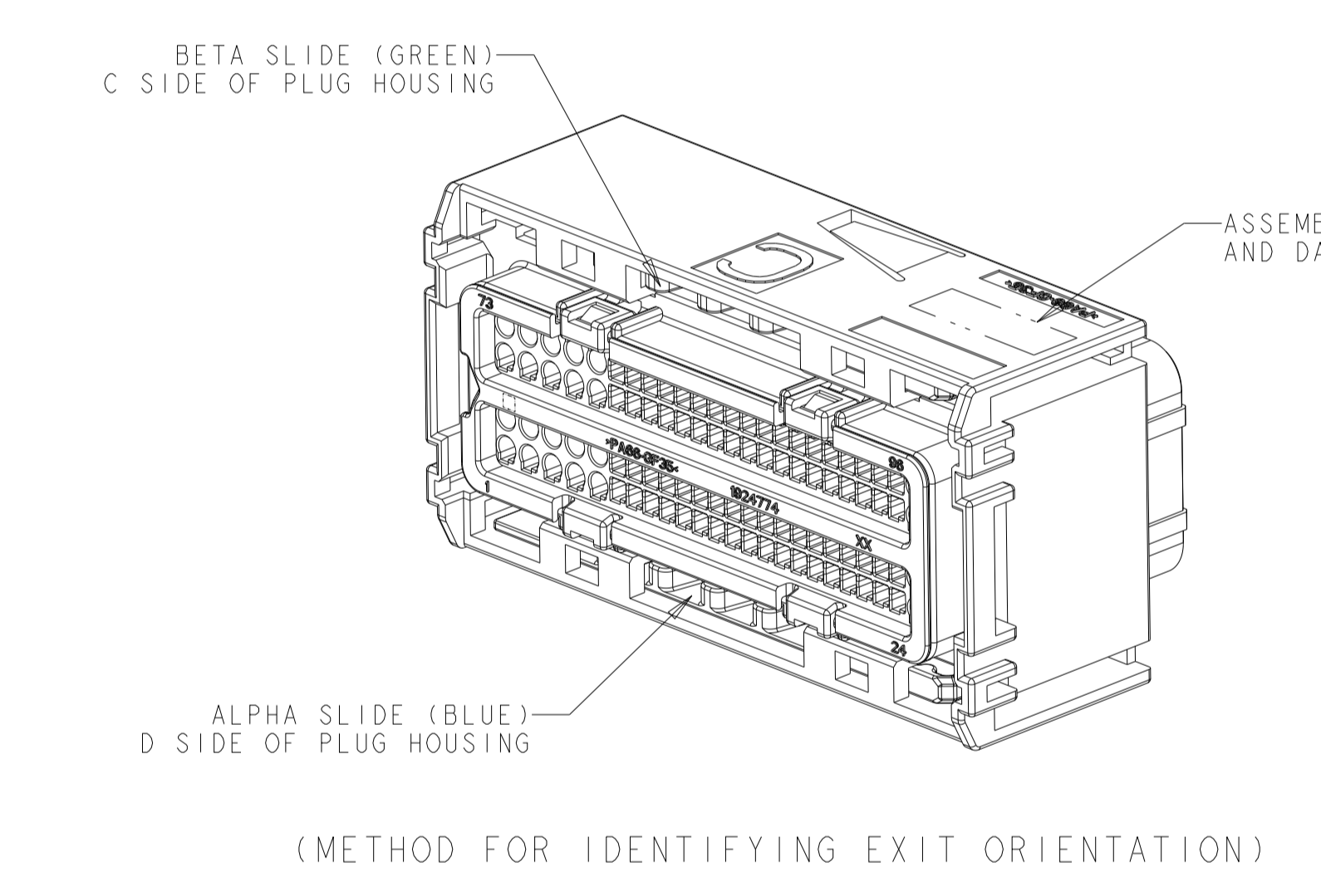
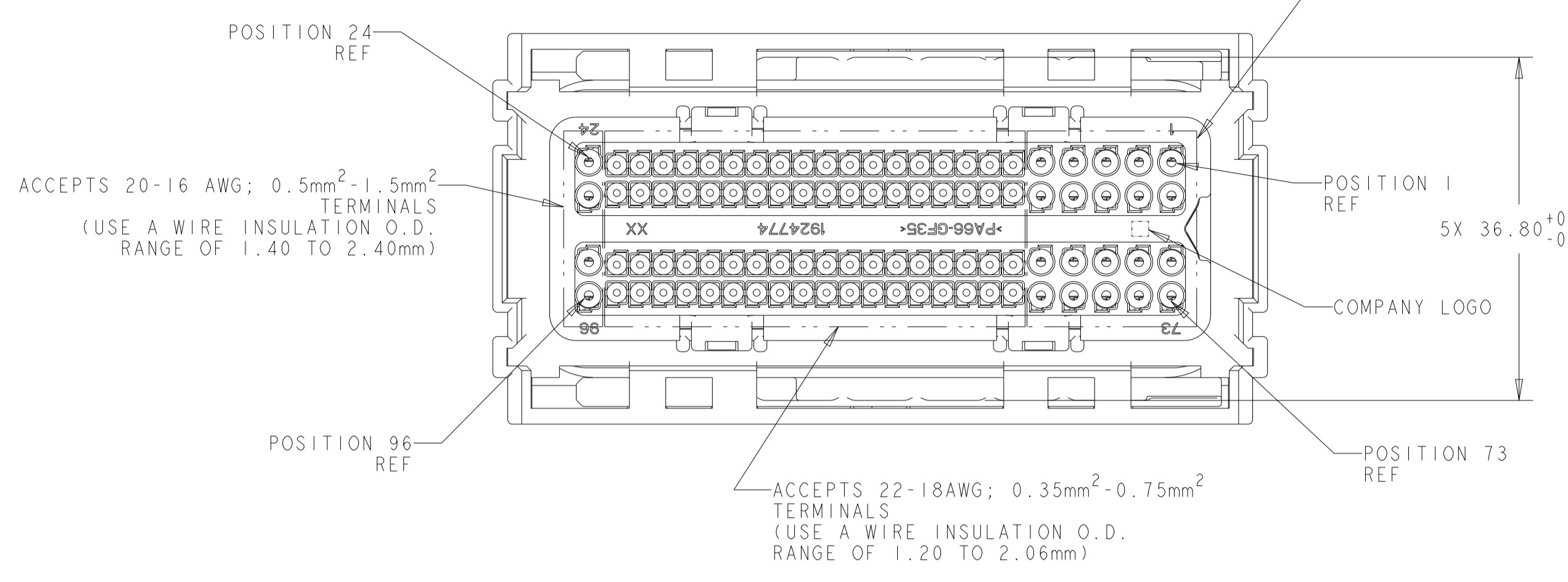
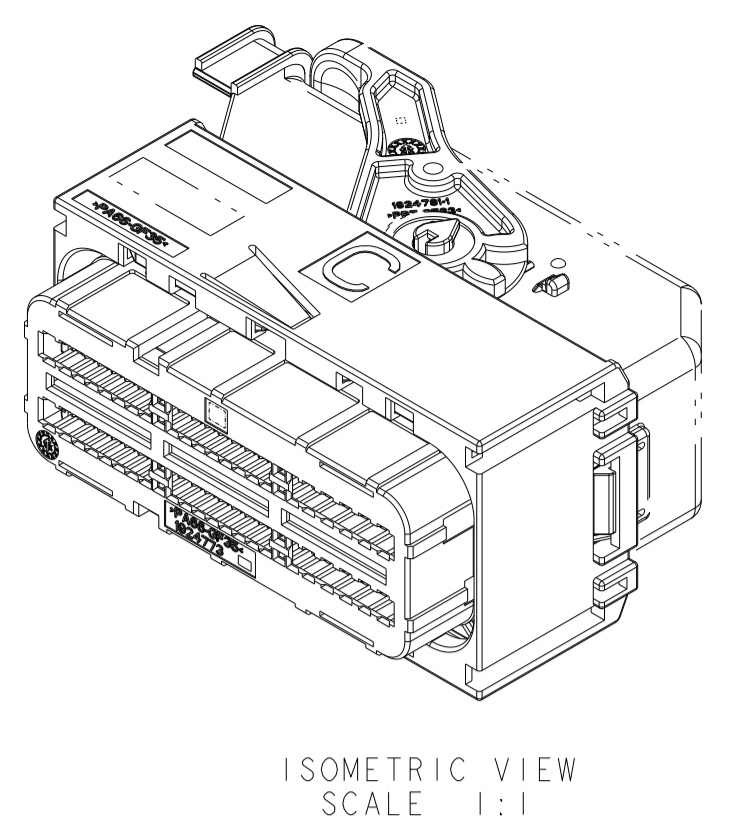
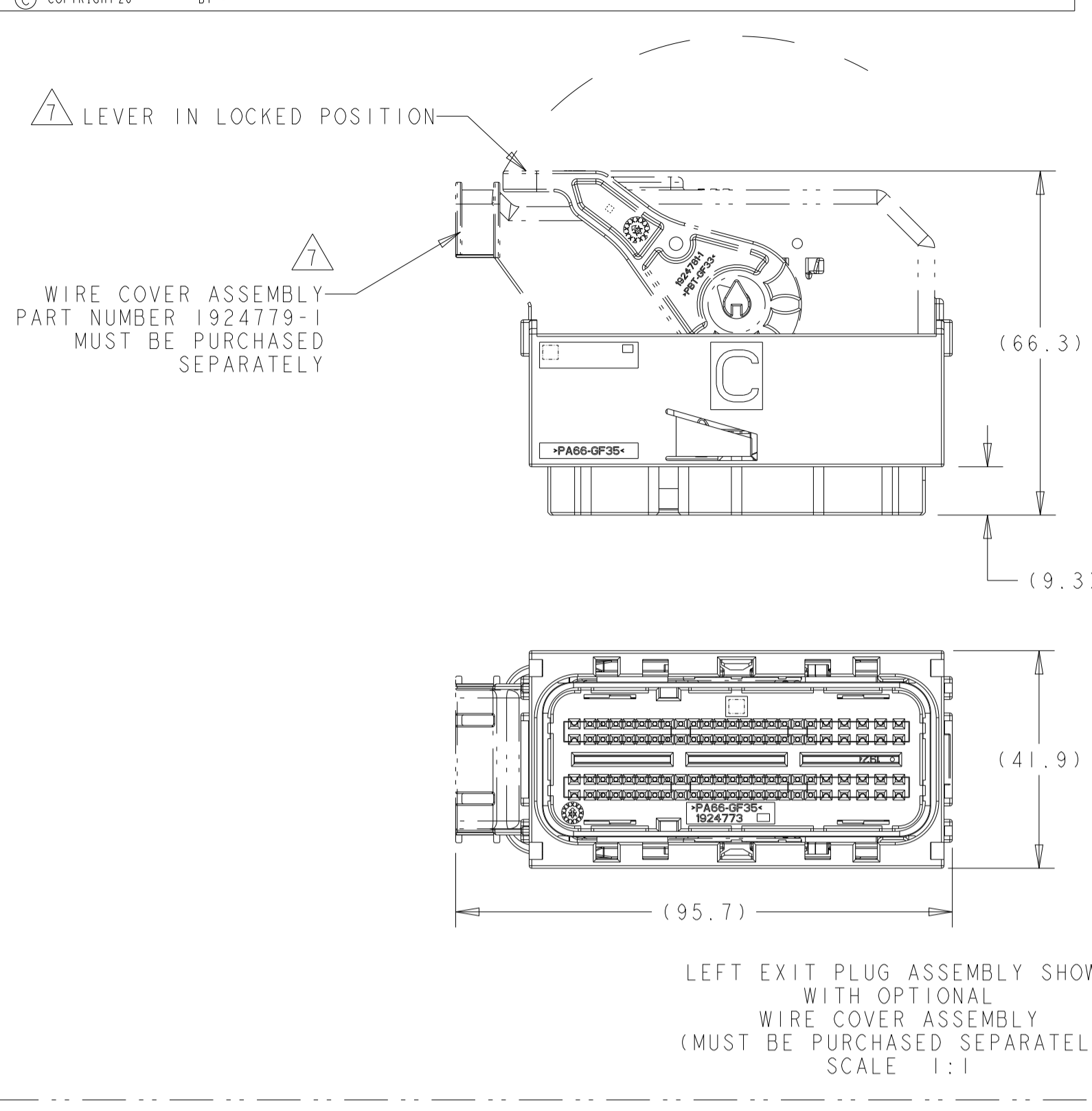


REVISIONS				
P	LTN	DESCRIPTION	DATE	OWN APVD
C		REVISED PER ECO-16-005492	11APR2016	DLD WEM
C1		REVISED PER ECO-16-012869	31AUG2016	DLD WEM
C2		REVISED PER ECN-24-278905	12AUG2024	CKM HC



- 1. PLUG HOUSING AND SEAL COVER: NYLON 6/6, BLACK. TPA: NYLON 6/6, COLOR - SEE TABLE. MATTE WIRE SEAL: SILICONE, LIGHT BLUE. PERIPHERAL SEAL: SILICONE, GREEN. ALPHA SLIDE: NYLON 6/6, BLUE. BETA SLIDE: NYLON 6/6, GREEN.
- 2. TPA SHOWN IN PRE-LATCHED, AS SHIPPED, POSITION.
- 3. TPA SHOWN IN CLOSED POSITION.
- 4. SEE TABLE ON SHEET 2 FOR SEAL COVER PIN OUT CONFIGURATION.
- 5. PLUG ASSEMBLY MATES WITH TE CONNECTIVITY INTERFACE DRAWING 1924771-INT, POLARIZATION E.
- 6. PLUG ASSEMBLY WILL ACCEPT THE FOLLOWING GET TERMINAL PART NUMBERS: 1393364-1 (GOLD 22AWG; 0.35mm<sup>2</sup>) 1393365-1 (GOLD 18-20AWG; 0.75mm<sup>2</sup>-0.5mm<sup>2</sup>) 1924878-1 (TIN/SILVER 22AWG; 0.35mm<sup>2</sup>) 1924879-1 (TIN/SILVER 18-20AWG; 0.75mm<sup>2</sup>-0.5mm<sup>2</sup>) 1924782-1 (TIN/SILVER 1.0mm<sup>2</sup>) 1924880-1 (TIN/SILVER 16AWG; 1.5mm<sup>2</sup>)
- 7. WIRE DRESS ASSEMBLY MUST BE INSTALLED ONTO PLUG ASSEMBLY WITH LEVER IN LOCKED POSITION.
- 8. APPLICATION SPEC'S: 408-10229, 408-10230.
- 9. NOTE DELETED.
- 10. FORCE TO SEAT TPA COMPONENT FROM PRE-SET TO LOCKED (FULLY LOADED W/ TERMINALS) TO BE 83N MAX.
- 11. FORCE TO MOVE TPA FROM FULLY LOCKED TO PRE-SET TO BE 115N MAX. FLAT BLADE SCREWDRIVER SUGGESTED FOR REMOVAL OF TPA

9-2359501-9	ALL CLOSED	BROWN	E	9-1924944-9
1-2359501-8	SEE TABLE, SH 2	BROWN	E	1-1924944-8
1-2359501-7	SEE TABLE, SH 2	BROWN	E	1-1924944-7
1-2359501-6	SEE TABLE, SH 2	BROWN	E	1-1924944-6
1-2359501-5	SEE TABLE, SH 2	BROWN	E	1-1924944-5
1-2359501-4	SEE TABLE, SH 2	BROWN	E	1-1924944-4
1-2359501-3	SEE TABLE, SH 2	BROWN	E	1-1924944-3
1-2359501-2	SEE TABLE, SH 2	BROWN	E	1-1924944-2
1-2359501-1	SEE TABLE, SH 2	BROWN	E	1-1924944-1
1-2359501-0	SEE TABLE, SH 2	BROWN	E	1-1924944-0
2359501-9	SEE TABLE, SH 2	BROWN	E	1924944-9
2359501-8	SEE TABLE, SH 2	BROWN	E	1924944-8
2359501-6	SEE TABLE, SH 2	BROWN	E	1924944-6
2359501-5	SEE TABLE, SH 2	BROWN	E	1924944-5
2359501-4	SEE TABLE, SH 2	BROWN	E	1924944-4
2359501-3	SEE TABLE, SH 2	BROWN	E	1924944-3
2359501-2	SEE TABLE, SH 2	BROWN	E	1924944-2
2359501-1	ALL OPEN	BROWN	E	1924944-1
SUPERSEDED BY	BLOCKED CIRCUITS	TPA COLOR	INDEX REF	PART NUMBER

**SUPERSEDED BY:**  
X-2359501-X

THIS DRAWING IS A CONTROLLED DOCUMENT.

OWN: DJ HARDY 29NOV2007  
CHK: AJ VASBINDER 03DEC2007  
APVD: AJ VASBINDER 03DEC2007

DIMENSIONS: mm  
TOLERANCES UNLESS OTHERWISE SPECIFIED:  
0 PLC ±  
1 PLC ±0.25  
2 PLC ±  
3 PLC ±  
4 PLC ±  
ANGLES FINISH

MATERIAL:

THIS DRAWING IS A CONTROLLED DOCUMENT. NAME: PLUG ASSEMBLY, 96 POSITION, INDEX E - LEFT EXIT, SEALED, GPEC 11

SIZE: A1 CAGE CODE: 100779 DRAWING NO: 1924944 SHEET 1 OF 2 REV C2

CUSTOMER DRAWING SCALE: 2:1

