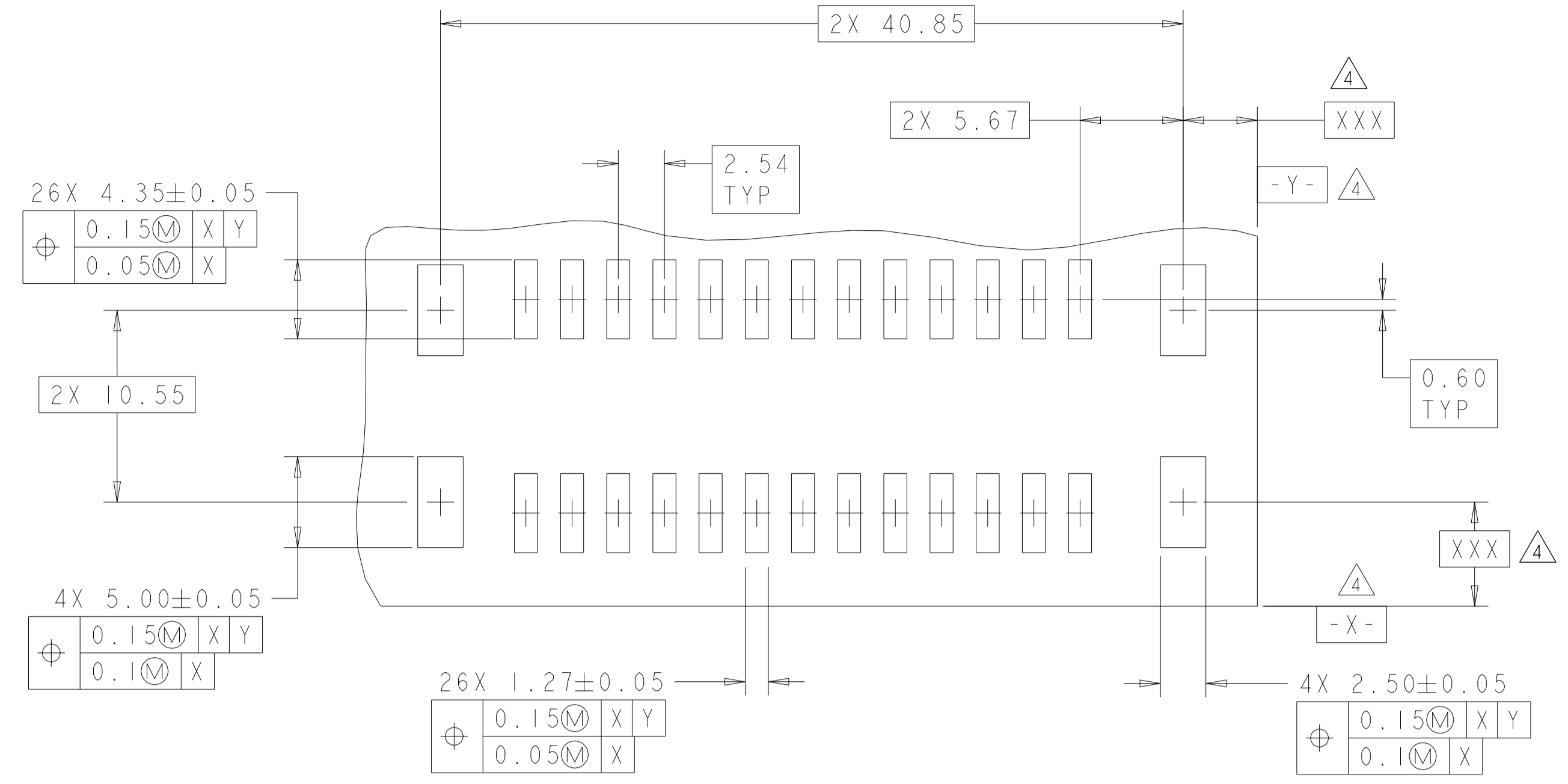
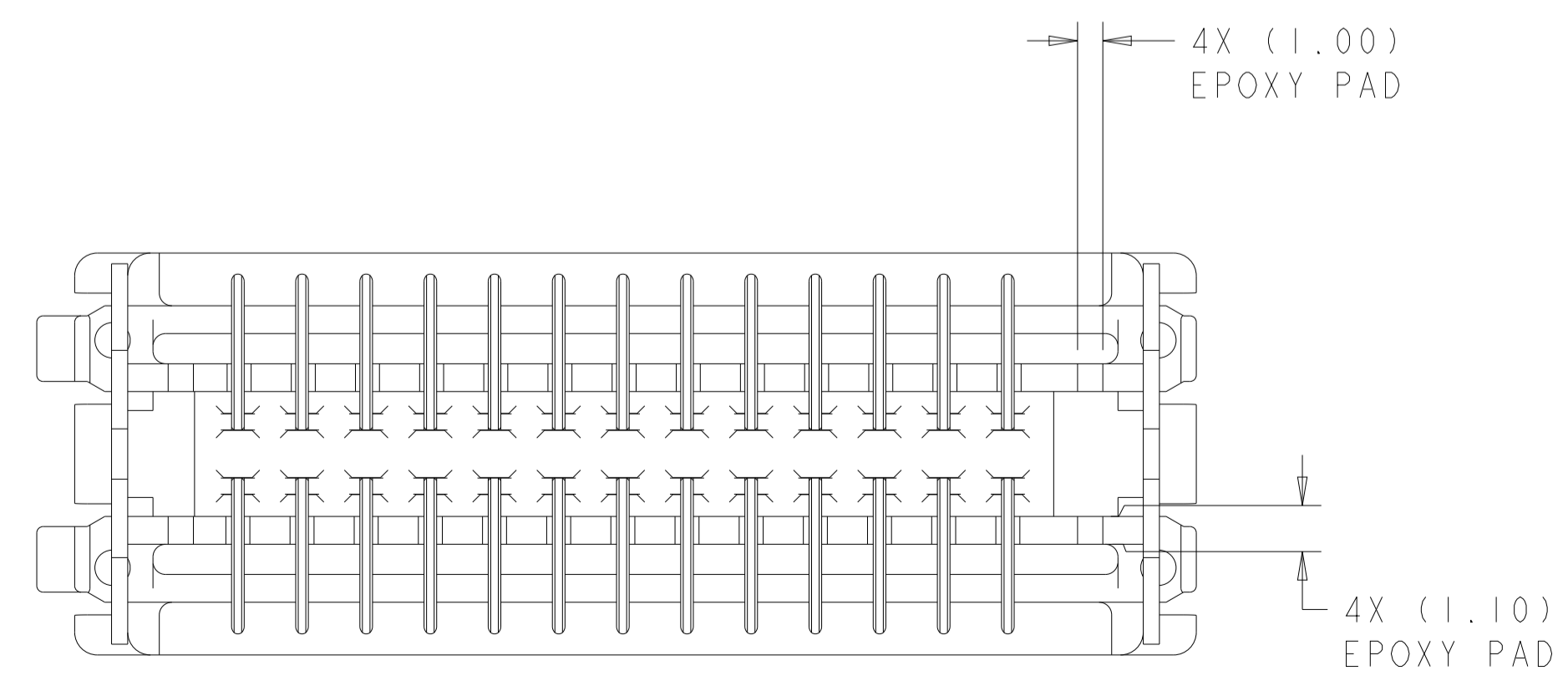
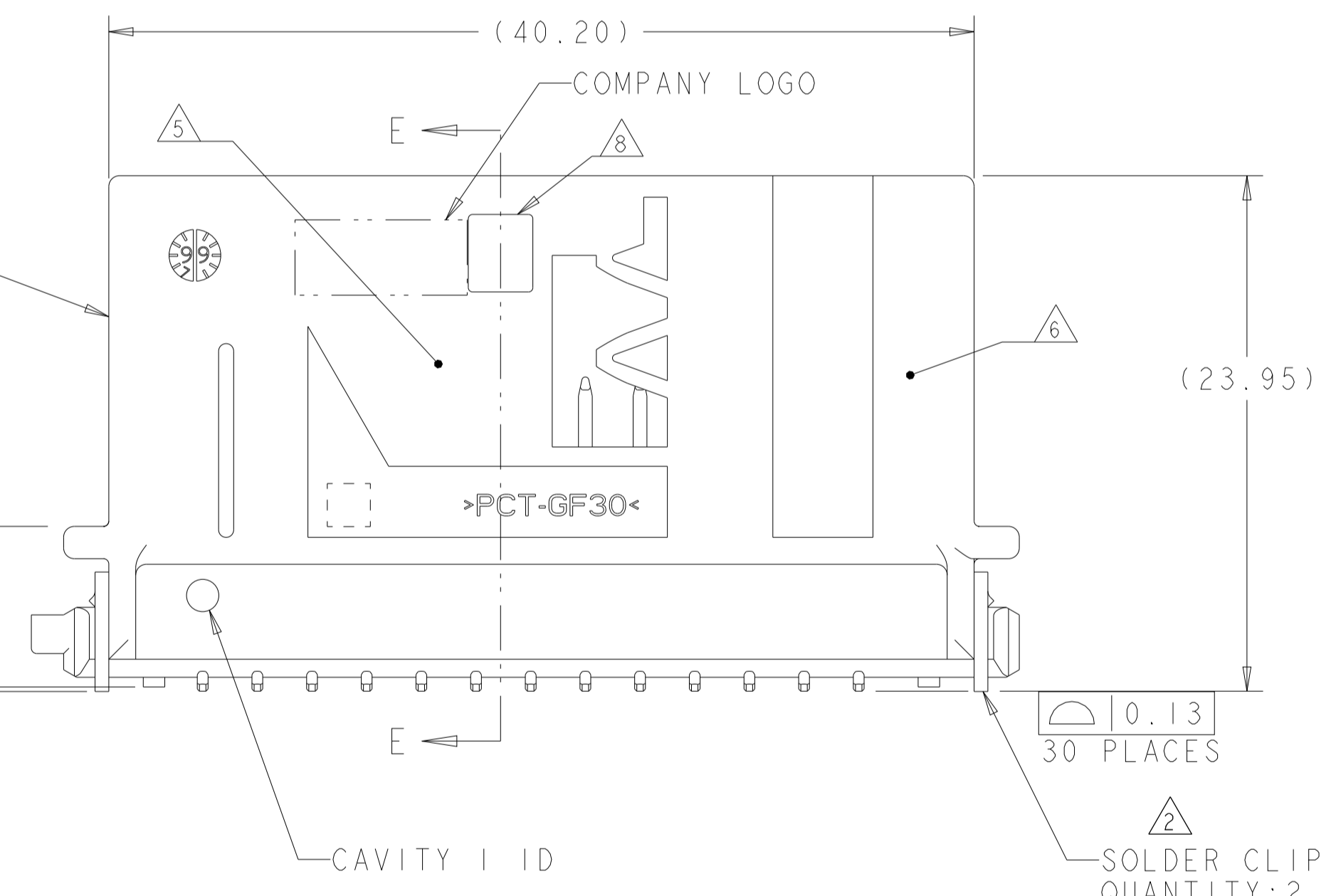
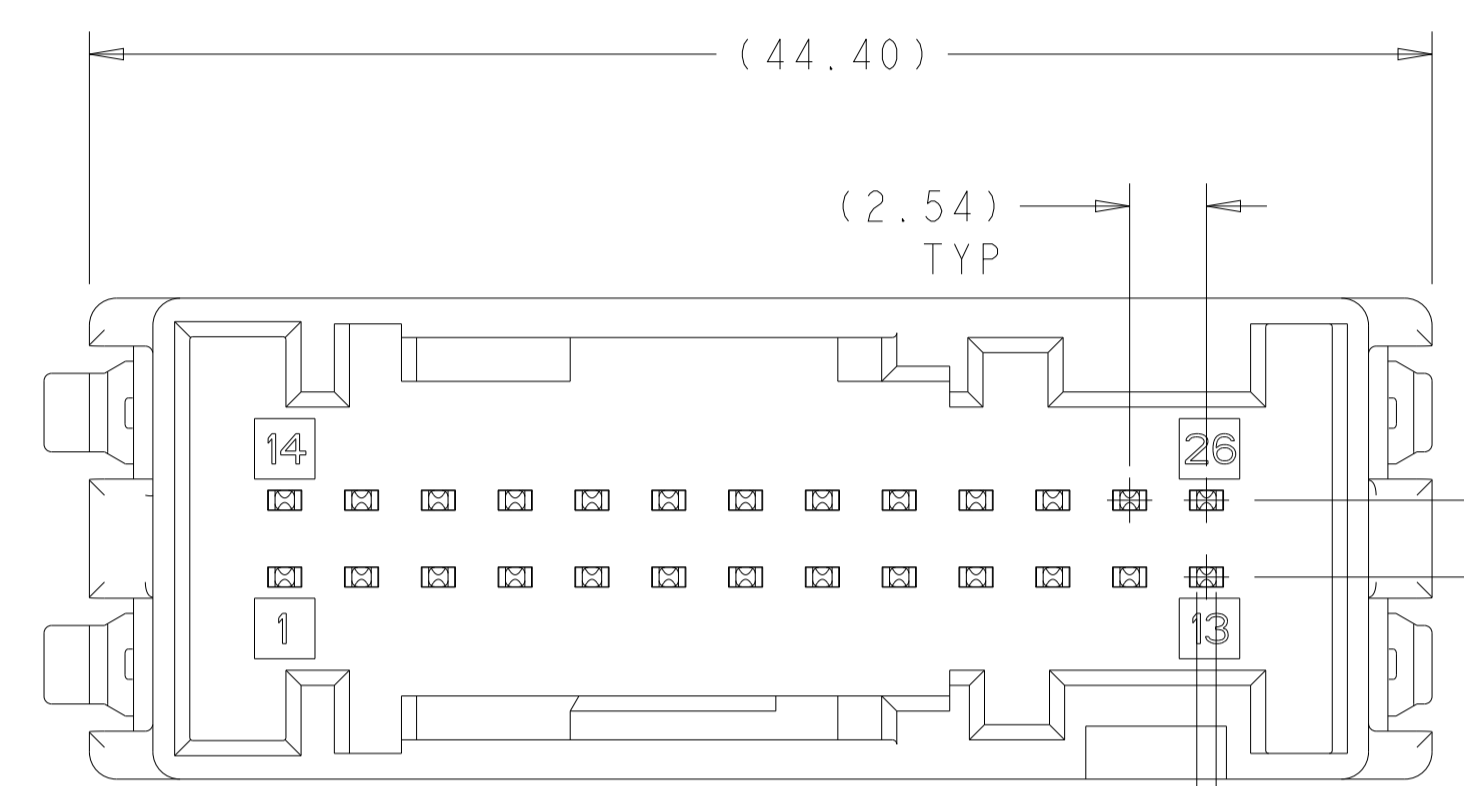
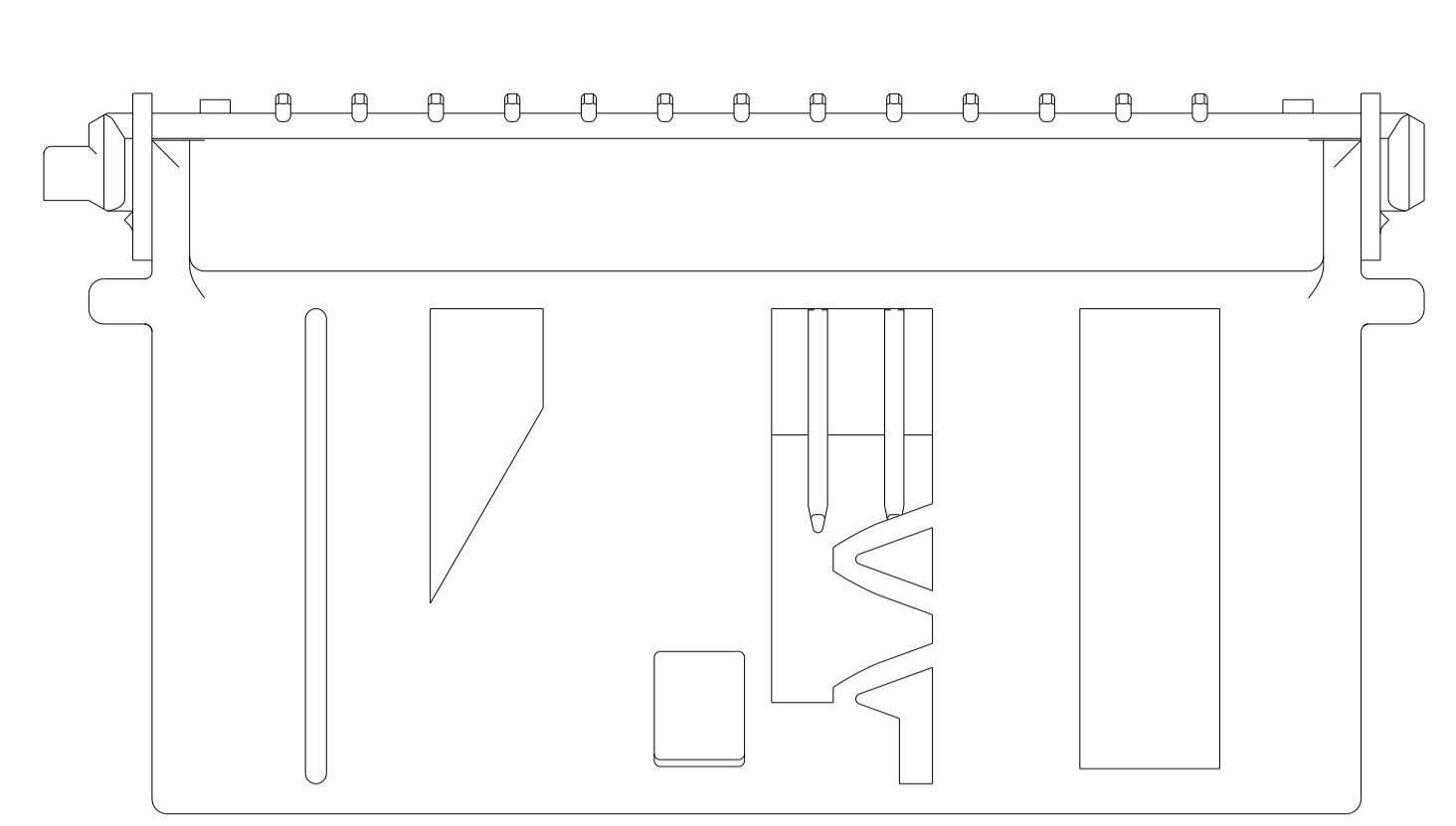
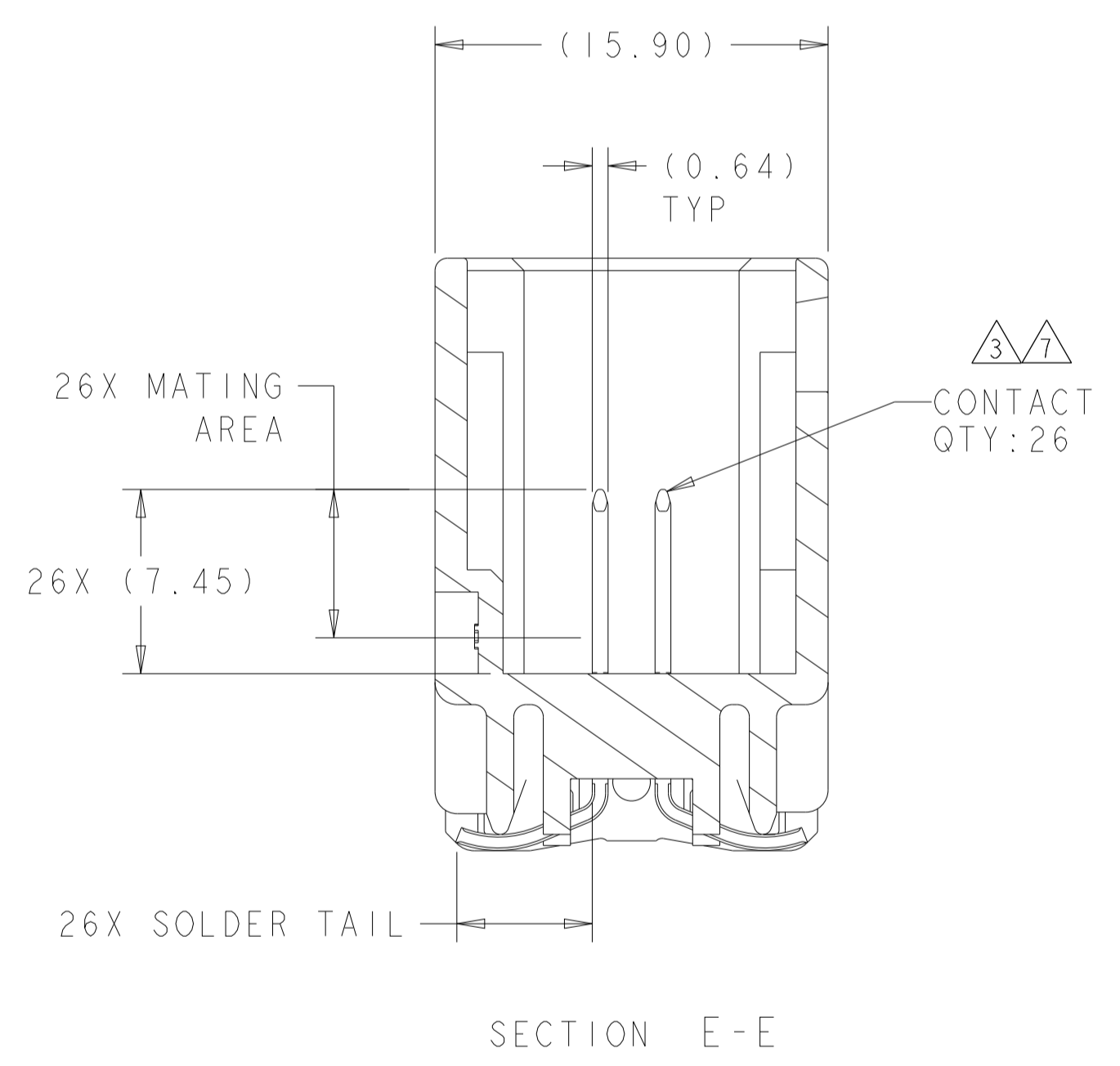


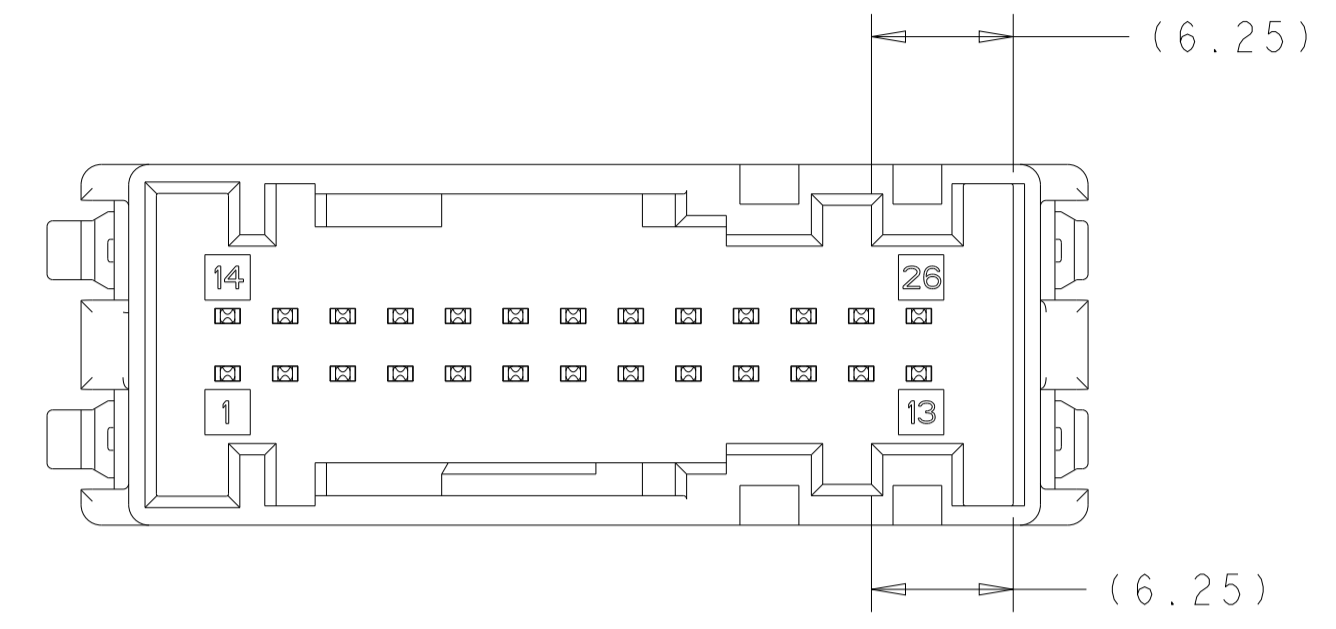
REVISIONS				
P	LTN	DESCRIPTION	DATE	APPD
A2		REVISED PER ECO-09-026137	24NOV2009	DLD CJS
A3		REV PER ECR-10-011823	31MAY2010	VSS CS
A4		REV PER ECN-23-211153	09MAY2023	JMS CJS
A5		REV PER ECN-24-270812	27JUN2024	SMR CJS



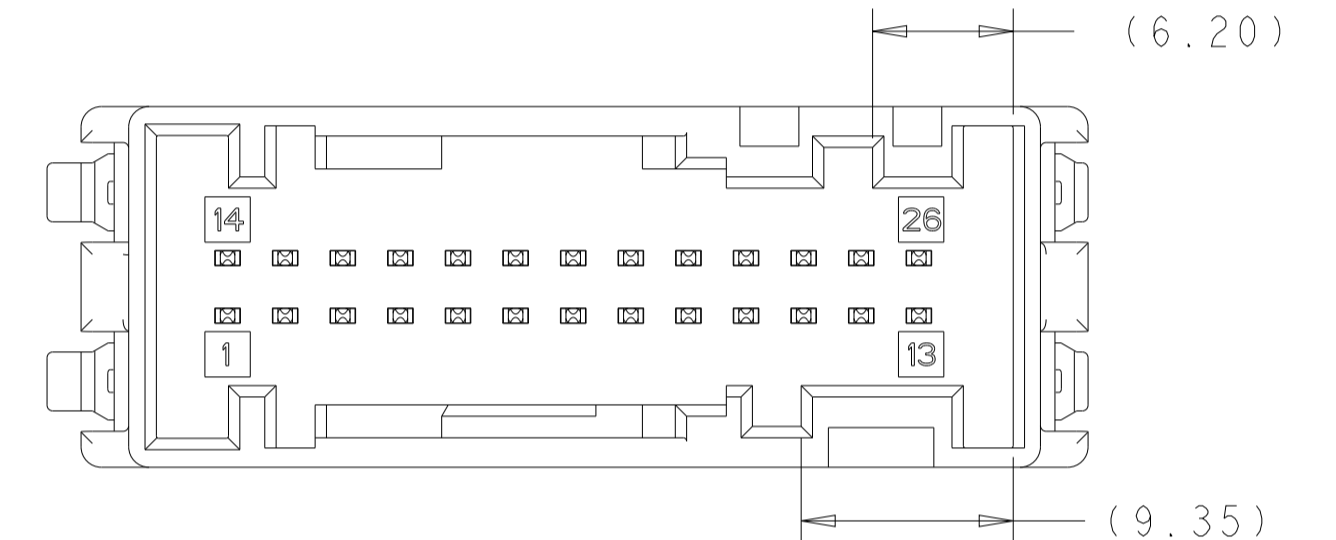
RECOMMENDED PC BOARD LAYOUT  
CONNECTOR SIDE OF BOARD  
SCALE 4:1



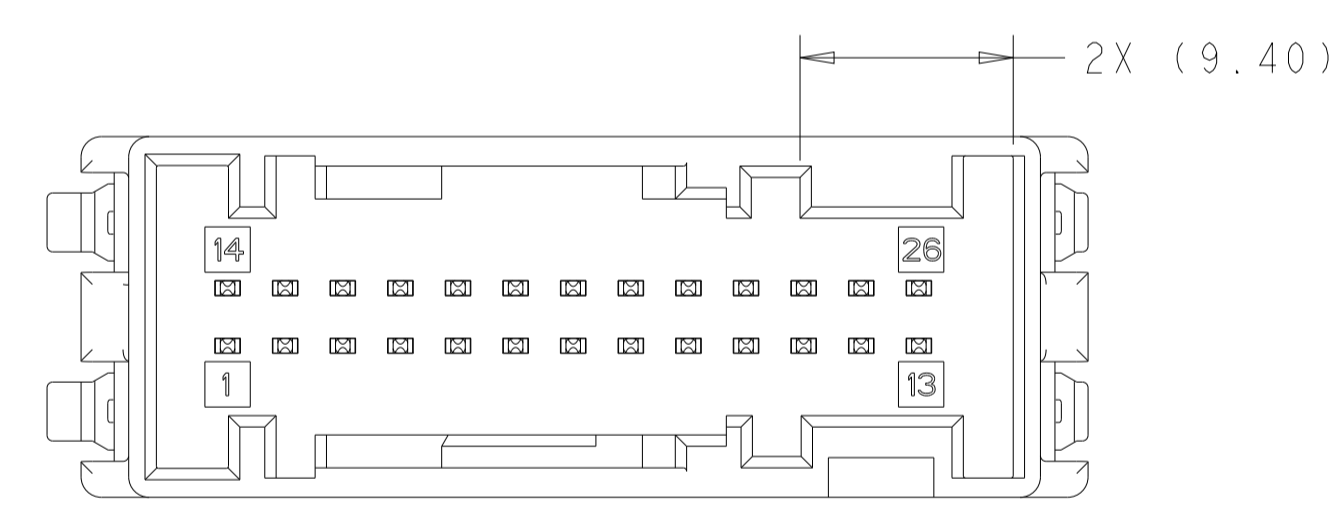
- ① HOUSING: PCT, COLOR - SEE TABLE.  
CONTACTS: BRASS.  
SOLDER CLIP: BRASS.
- ② SOLDER CLIP: 3.8µm MIN TIN OVER 1.27µm MIN NICKEL.
- ③ CONTACT: 0.8µm MIN TIN IN MATING AREA AND 2.5µm MIN TIN IN SOLDER TAIL ALL OVER 1.00µm NICKEL.
- ④ DATUMS AND BASIC DIMENSIONS ESTABLISHED BY THE CUSTOMER.
- ⑤ ASSEMBLY DATE CODE.
- ⑥ PRODUCT PART NUMBER.
- ⑦ CONTACT: 0.38µm MIN GOLD IN MATING AREA AND 2.5µm MIN TIN IN SOLDER TAIL AREA, ALL OVER 1.00µm NICKEL.
- ⑧ OPTIONAL FEATURE PRESENT ON PART NUMBERS NOTED IN TABLE.
- ⑨ PENDING DISCONTINUANCE



KEYING CODE "BF"  
SCALE 3:1



KEYING CODE "BE"  
SCALE 3:1



KEYING CODE "AE"  
SCALE 3:1

FINISH	PACKAGE TUBE	KEYING CODE	COLOR	PART NUMBER
		KEYING CODE "BF"	BLUE	2-1924678-3 ⑧
		KEYING CODE "BE"	GRAY	2-1924678-2 ⑧
		KEYING CODE "AE"	BLACK	2-1924678-1 ⑧
		KEYING CODE "BF"	BLUE	1-1924678-6 ⑨
		KEYING CODE "AE"	BLACK	1-1924678-5 ⑨
		KEYING CODE "BF"	NATURAL	1-1924678-4 ⑨
		KEYING CODE "BF"	BLUE	1-1924678-3 ⑨
		KEYING CODE "BE"	GRAY	1-1924678-2 ⑨
		KEYING CODE "AE"	BLACK	1-1924678-1 ⑨
		KEYING CODE "BF"	NATURAL	1924678-4 ⑨
		KEYING CODE "BF"	BLUE	1924678-3 ⑨
		KEYING CODE "BE"	GRAY	1924678-2 ⑨
		KEYING CODE "AE"	BLACK	1924678-1 ⑨

THIS DRAWING IS A CONTROLLED DOCUMENT.

OWN: FOLTZ 25JUL2007	CHK: G. MARTIN 25JUL2007	NAME: HEADER ASSEMBLY, 26 WAY, HAND MATE, VERTICAL, WITH SOLDER CLIPS, SURFACE MOUNT, LAC
DIMENSIONS: mm	TOLERANCES UNLESS OTHERWISE SPECIFIED:	APPD: G. MARTIN 25JUL2007
0 PLC ±	1 PLC ±	PRODUCT SPEC
2 PLC ±	3 PLC ±	APPLICATION SPEC
4 PLC ±	ANGLES ±	SIZE: CAGE CODE DRAWING NO
MATERIAL: SEE CALLOUTS	FINISH: SEE CALLOUTS	WEIGHT: -
CUSTOMER DRAWING		SCALE: 4:1 SHEET 1 OF 1 REV: A5