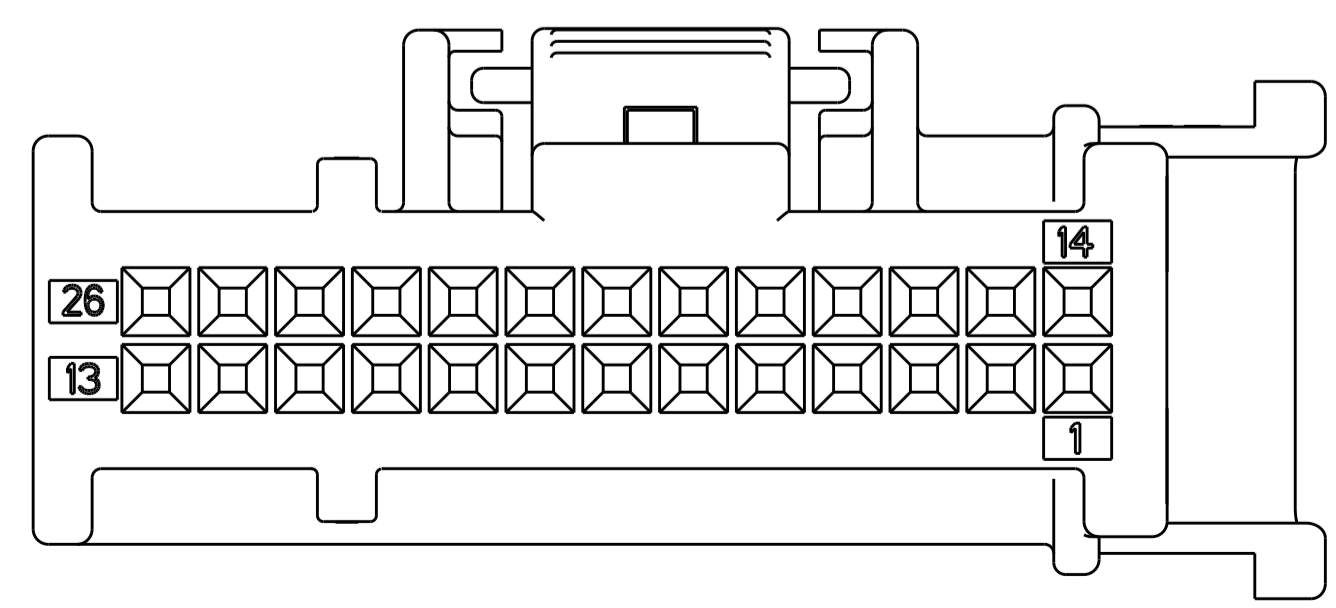
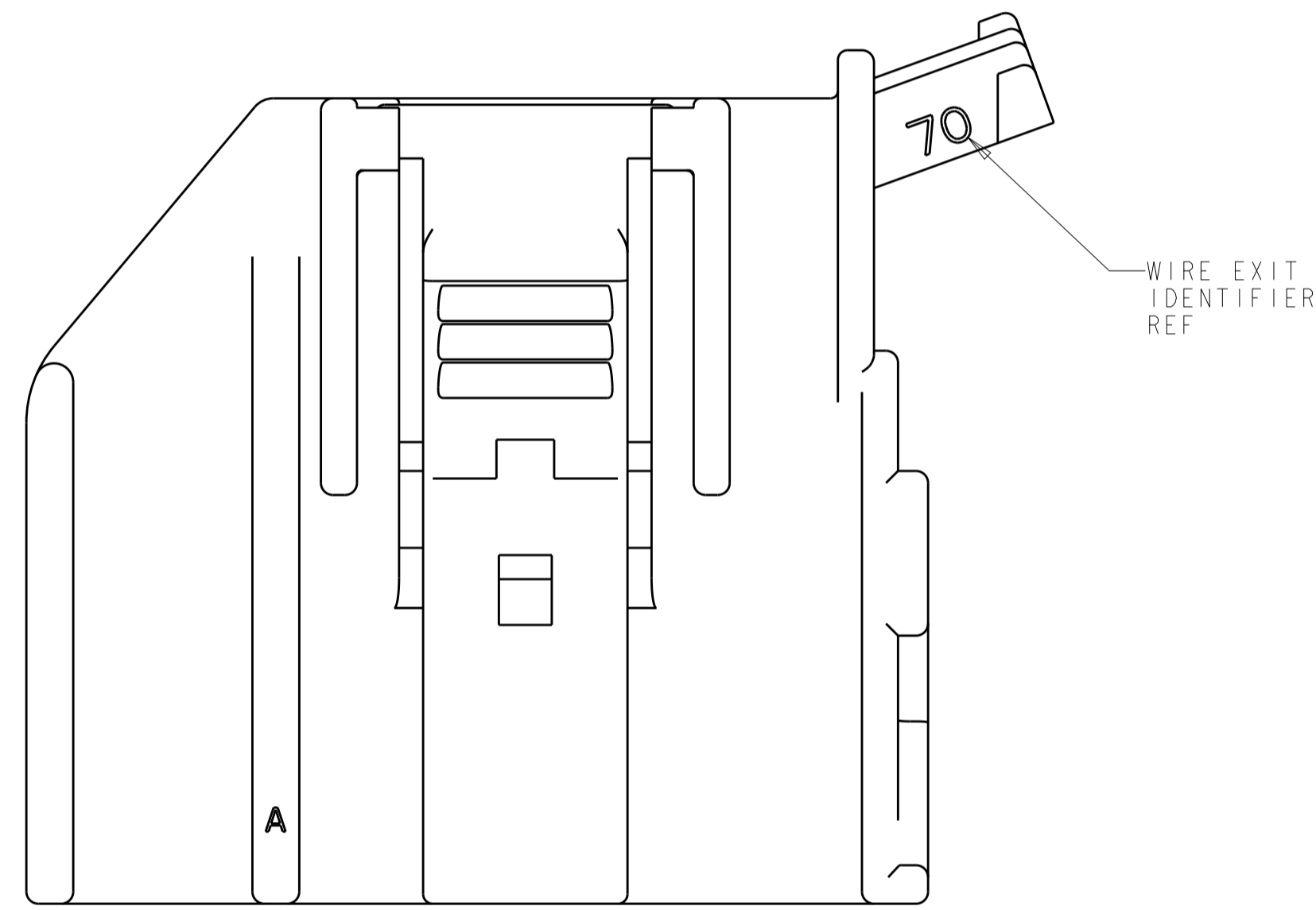
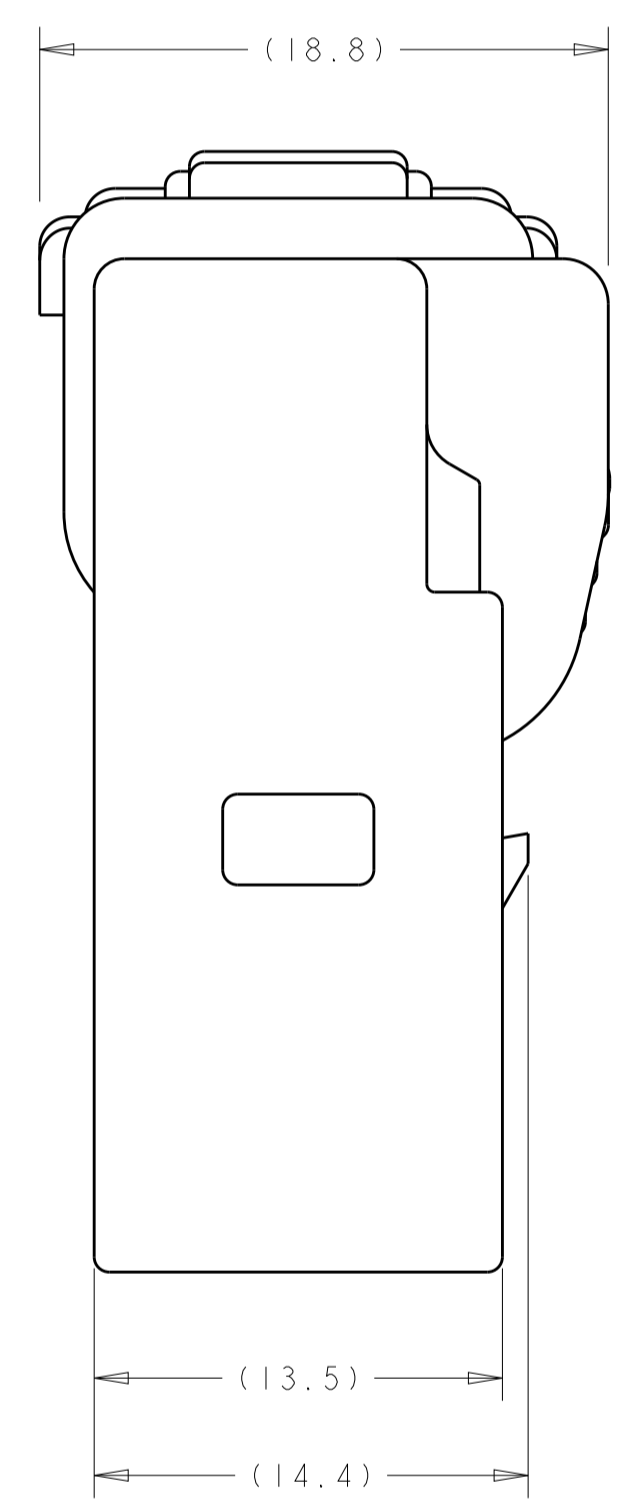
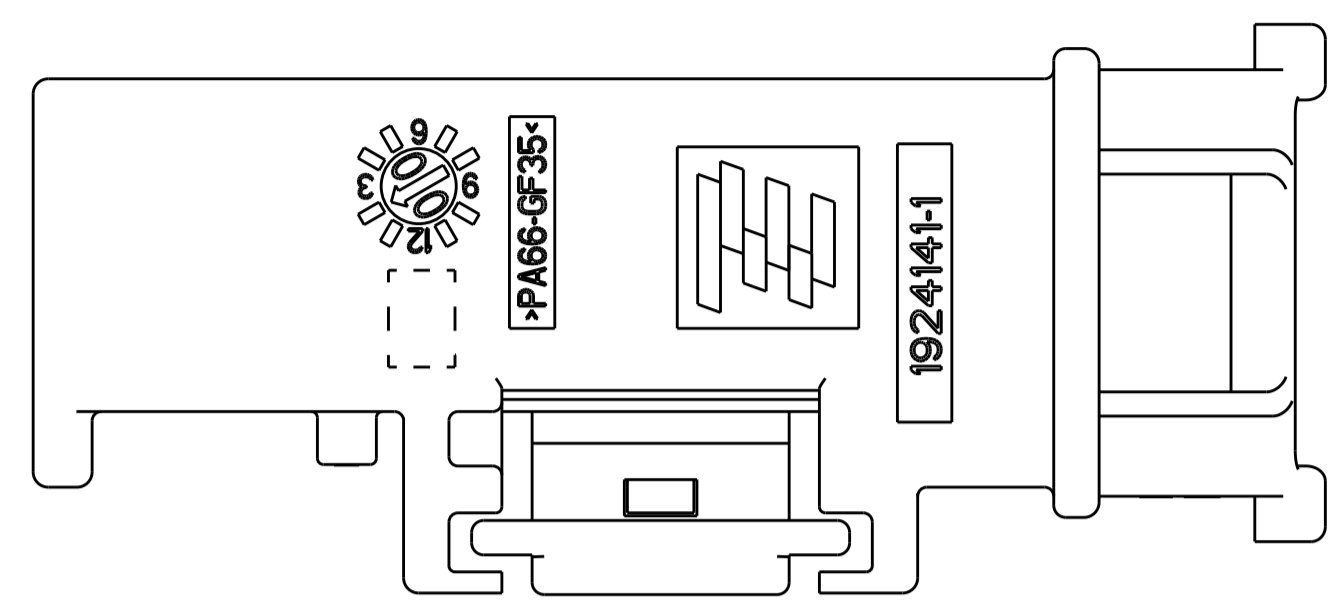
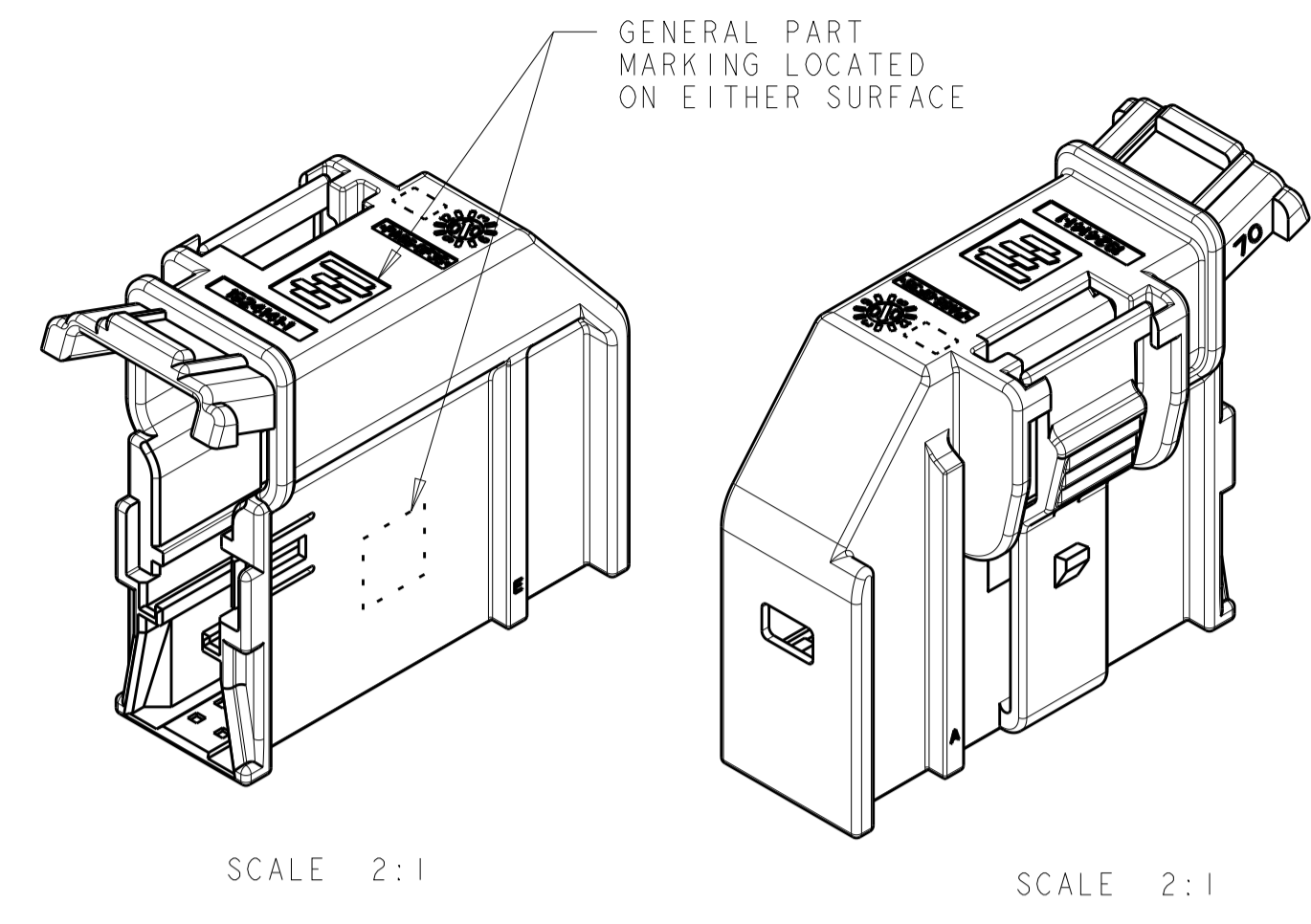


LOC	DIST	REVISIONS			
P	LTN	DESCRIPTION	DATE	DWN	APVD
A2		REVISED PER ECO-08-022333	08SEP2008	DLD	CJS
A3		REVISED PER ECO-13-004668	18MAR2013	DLD	CJS
A4		ECO-17-012938	06SEP2017	KP	CS
A5		REV PER ECO-20-015934	19NOV2020	RGV	CS

△ MATERIAL: SHIELD HOUSING: NYLON 6/6, COLOR - SEE TABLE.



STATUS	COLOR REF	WIRE EXIT ANGLE	KEYING	KEYING OPTION	PART NUMBER
PRELIMINARY - NOT RELEASED FOR PRODUCTION	NATURAL	70°0'	PER DETAIL AE	A-E	1-1924141-0
RELEASED	BLUE	20°0'	PER DETAIL BF	B-F	1924141-9
PRELIMINARY - NOT RELEASED FOR PRODUCTION	GRAY	20°0'	PER DETAIL BE	B-E	1924141-8
RELEASED	BLACK	20°0'	PER DETAIL AE	A-E	1924141-7
PRELIMINARY - NOT RELEASED FOR PRODUCTION	BLUE	45°0'	PER DETAIL BF	B-F	1924141-6
PRELIMINARY - NOT RELEASED FOR PRODUCTION	GRAY	45°0'	PER DETAIL BE	B-E	1924141-5
PRELIMINARY - NOT RELEASED FOR PRODUCTION	BLACK	45°0'	PER DETAIL AE	A-E	1924141-4
RELEASED	BLUE	70°0'	PER DETAIL BF	B-F	1924141-3
RELEASED	GRAY	70°0'	PER DETAIL BE	B-E	1924141-2
RELEASED	BLACK	70°0'	PER DETAIL AE	A-E	1924141-1

THIS DRAWING IS A CONTROLLED DOCUMENT.

DIMENSIONS: mm

TOLERANCES UNLESS OTHERWISE SPECIFIED:

0 PLC	±
1 PLC	±0.1
2 PLC	±0.05
3 PLC	±0.005
4 PLC	±0.0001
ANGLES	±
FINISH	

MATERIAL: -

APPROVED: R. BARKER (17MAR2008), R. HETRICK (17MAR2008)

PRODUCT SPEC: -

APPLICATION SPEC: -

WEIGHT: -

CUSTOMER DRAWING

NAME: SHIELD HOUSING, HAND MATE, 26 POSITION, GENERATION Y, 0.64mm LAC

SIZE: A100779

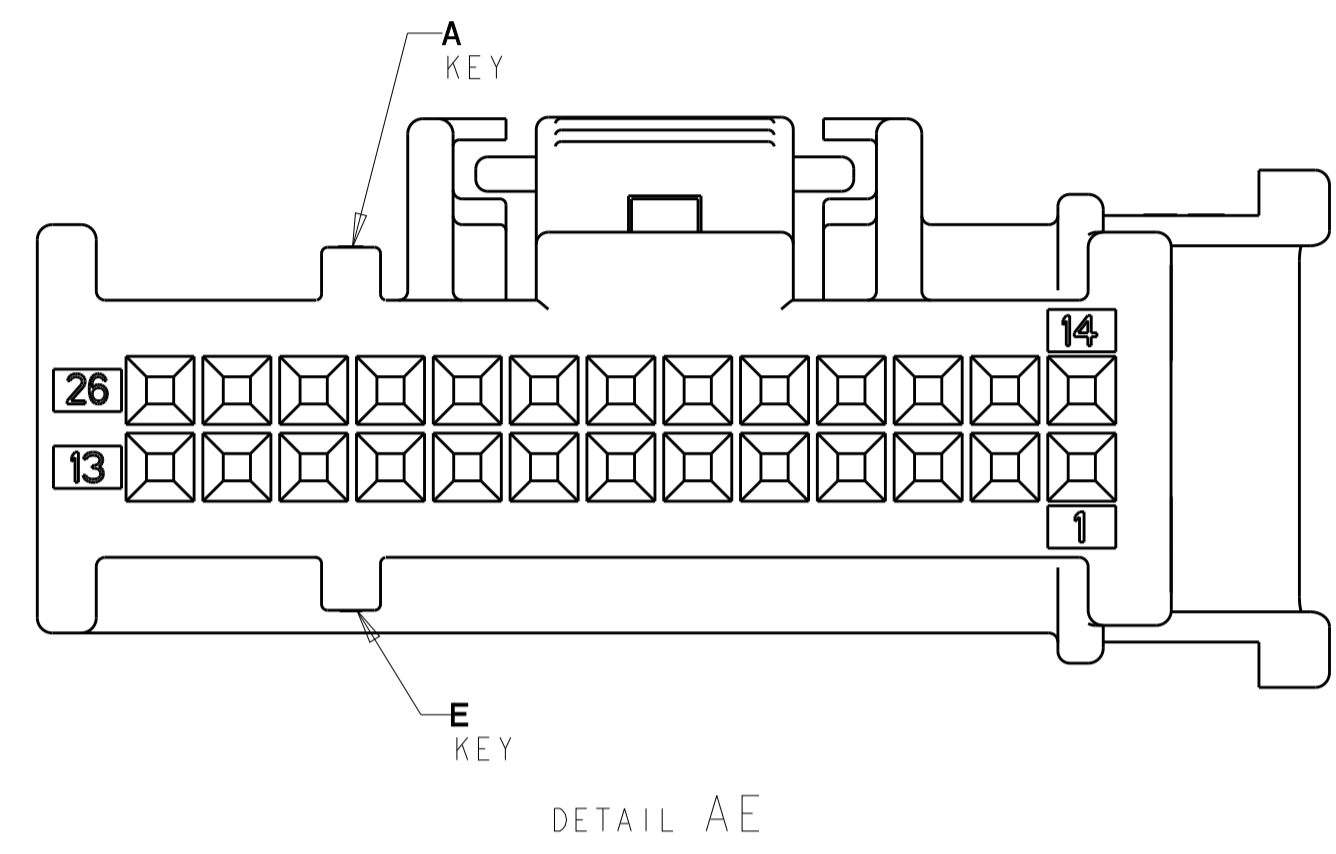
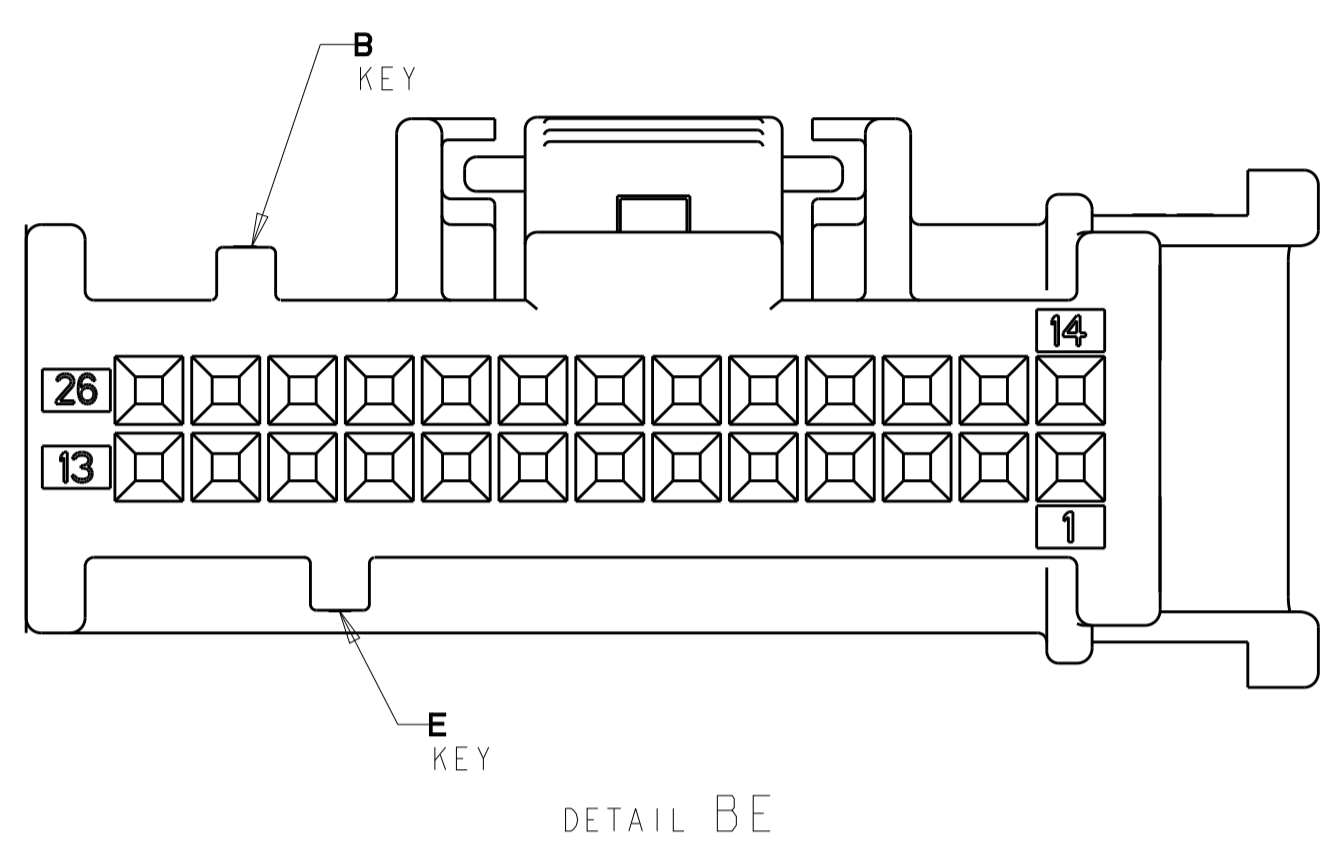
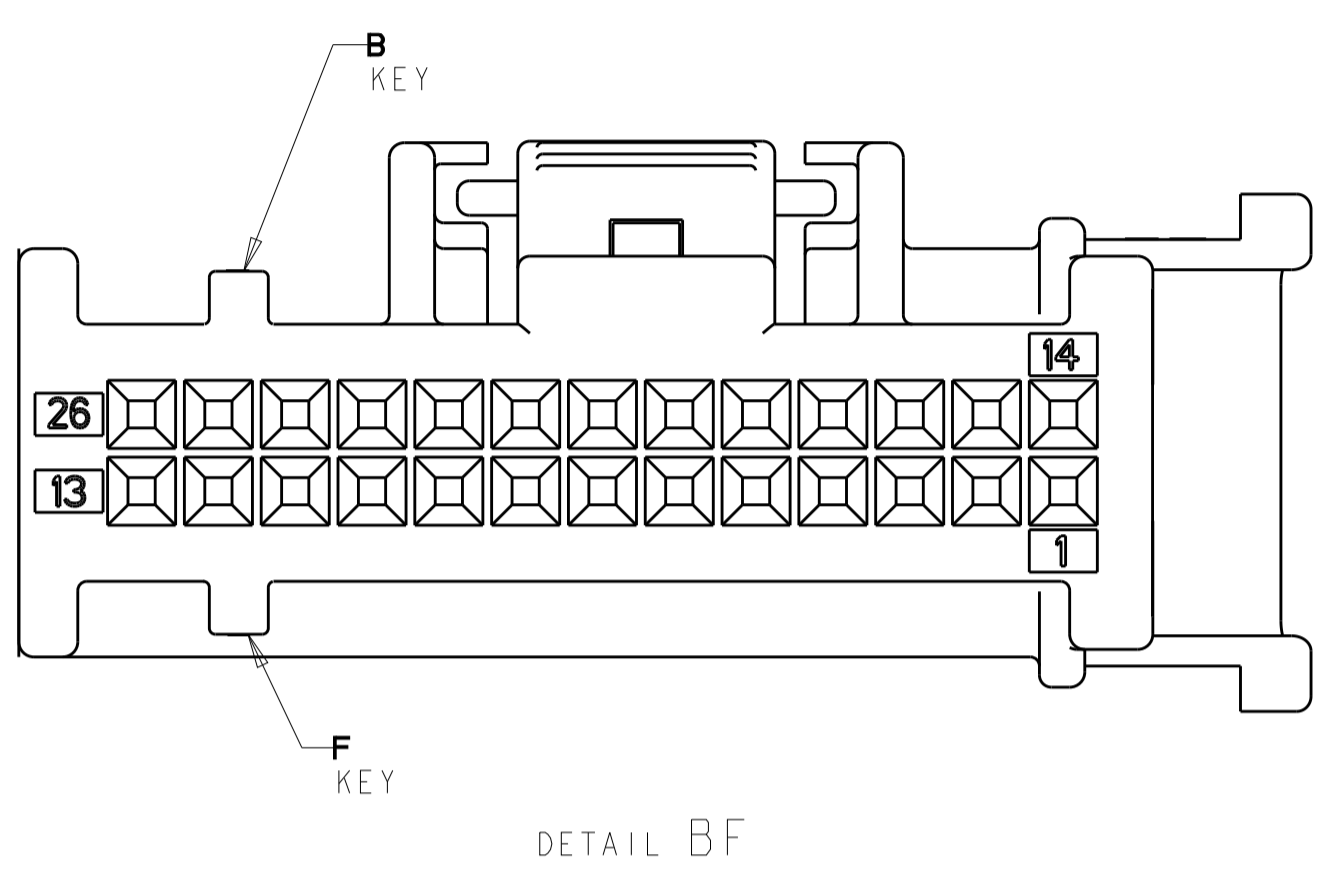
SCALE: 4:1

SHEET 1 OF 2

REV: A5

TE Connectivity

LOC		DIST		REVISIONS			
P	LTN	DESCRIPTION	DATE	OWN	APVD		
-	-	SEE SHEET 1	-	-	-		



THIS DRAWING IS A CONTROLLED DOCUMENT.		OWN R. BARKER 17MAR2008	
DIMENSIONS: mm		CHK R. HETRICK 17MAR2008	
TOLERANCES UNLESS OTHERWISE SPECIFIED:		APVD R. HETRICK 17MAR2008	NAME SHIELD HOUSING, HAND MATE, 26 POSITION, GENERATION Y, 0.64mm LAC
0 PLC ±	1 PLC ±0.1	PRODUCT SPEC	SIZE A100779
2 PLC ±0.05	3 PLC ±0.005	APPLICATION SPEC	CAGE CODE C=1924141
4 PLC ±0.0001	ANGLES ±	WEIGHT	RESTRICTED TO
MATERIAL	FINISH	CUSTOMER DRAWING	SCALE 4:1 SHEET 2 OF 2 REV A5