

THIS DRAWING IS UNPUBLISHED. RELEASED FOR PUBLICATION  
 © COPYRIGHT - By - ALL RIGHTS RESERVED.

| REVISIONS |     |                           |           |       |
|-----------|-----|---------------------------|-----------|-------|
| P         | LTR | DESCRIPTION               | DATE      | APVD  |
|           | J1  | REVISED PER ECO-16-012453 | 24AUG2016 | NK MZ |
|           | K   | REVISED PER ECO-17-013721 | 16NOV2017 | RS MZ |
|           | L   | REVISED PER ECO-18-016616 | 22OCT2018 | RS MZ |

| LH       | (FREE DIA) | MAT'L | LENGTH  | MATING HOLE<br>Ø REF | PLATING | NUM<br>LOUV | MAT'L THK  | REF   | PART NO.   |
|----------|------------|-------|---------|----------------------|---------|-------------|------------|-------|------------|
| [.050]   | --         | BeCu  |         | 51.33 [2.021]        | 3-2     | 62          | 0.10[.004] | --    | 4-192008-6 |
| [.050]   | --         | BeCu  |         | 22.00 [.866]         | 3-2     | 26          | 0.10[.004] | --    | 4-192008-5 |
| [.052]   | --         | BeCu  | NOTE 12 | --                   | 3-2     | --          | 0.25[.010] | --    | 4-192008-4 |
| [.052]   | --         | BeCu  | NOTE 12 | --                   | 3-2     | --          | 0.20[.008] | --    | 4-192008-3 |
| [.050]   | [1.40]     | BeCu  |         | --                   | 3-2     | 44          | 0.15[.006] | --    | 4-192008-2 |
| [.052]   | [2.00]     | BeCu  |         | 58.4[2.300]          | UNPL    | 72          | 0.25[.010] | --    | 4-192008-1 |
| [.052]   | [2.00]     | BeCu  |         | 58.4[2.300]          | 3-2     | 72          | 0.25[.010] | --    | 4-192008-0 |
| [.050]   | [1.29]     | BeCu  |         | 34.9[1.375]          | 3-2     | 41          | 0.15[.006] | 01324 | 3-192008-9 |
| [.048]   | [1.04]     | CNCL  |         | 33.0[1.300]          | UNPL    | 33          | 0.15[.006] | 01312 | 3-192008-8 |
| [.050]   | [1.26]     | BeCu  |         | 33.0[1.300]          | 3-2     | 40          | 0.15[.006] | 01238 | 3-192008-7 |
| [.050]   | [1.16]     | BeCu  |         | 31.8[1.250]          | 3-2     | 37          | 0.15[.006] | 01237 | 3-192008-6 |
| [.050]   | [1.16]     | BeCu  |         | 31.8[1.250]          | 3-2     | 37          | 0.15[.006] | 01231 | 3-192008-5 |
| [.052]   | [1.13]     | BeCu  |         | 30.4[1.197]          | 3-2     | 36          | 0.20[.008] | 01213 | 3-192008-4 |
| [.052]   | [1.13]     | BeCu  |         | 30.4[1.197]          | UNPL    | 36          | 0.20[.008] | 01226 | 3-192008-3 |
| [.050]   | [1.13]     | BeCu  |         | 30.4[1.197]          | 3-2     | 36          | 0.15[.006] | 01114 | 3-192008-2 |
| [.052]   | [1.16]     | BeCu  |         | 30.3[1.195]          | 3-2     | 37          | 0.20[.008] | 01194 | 3-192008-1 |
| [.050]   | [1.10]     | BeCu  |         | 30.2[1.188]          | 3-2     | 35          | 0.15[.006] | 01212 | 3-192008-0 |
| [.052]   | [1.07]     | BeCu  |         | 28.7[1.129]          | 3-2     | 34          | 0.20[.008] | 01190 | 2-192008-9 |
| [.050]   | [1.07]     | BeCu  |         | 28.7[1.129]          | 3-2     | 34          | 0.15[.006] | 01191 | 2-192008-8 |
| [.050]   | [1.00]     | BeCu  |         | 27.1[1.068]          | 3-2     | 32          | 0.15[.006] | 01188 | 2-192008-7 |
| OBSOLETE |            |       |         |                      |         |             |            |       |            |
| [.052]   | [.94]      | BeCu  |         | 25.4[1.000]          | 3-2     | 30          | 0.20[.008] | 01184 | 2-192008-5 |
| [.052]   | [.94]      | BeCu  |         | 25.4[1.000]          | UNPL    | 30          | 0.20[.008] | 01183 | 2-192008-4 |
| [.050]   | [.94]      | BeCu  |         | 25.4[1.000]          | 3-2     | 30          | 0.15[.006] | 01182 | 2-192008-3 |
| [.050]   | [.94]      | BeCu  |         | 25.4[1.000]          | UNPL    | 30          | 0.15[.006] | 01180 | 2-192008-2 |
| [.052]   | [.81]      | BeCu  |         | 22.3[.879]           | 3-2     | 26          | 0.20[.008] | 01171 | 2-192008-1 |
| [.052]   | [.81]      | BeCu  |         | 22.3[.879]           | UNPL    | 26          | 0.20[.008] | 01221 | 2-192008-0 |
| [.050]   | [.81]      | BeCu  |         | 22.3[.879]           | 3-2     | 26          | 0.15[.006] | 01277 | 1-192008-9 |
| [.052]   | [.75]      | BeCu  |         | 20.2[.796]           | 3-2     | 24          | 0.20[.008] | 01162 | 1-192008-8 |
| [.052]   | [.75]      | BeCu  |         | 20.2[.796]           | UNPL    | 24          | 0.20[.008] | 01222 | 1-192008-7 |
| [.052]   | [.72]      | BeCu  |         | 19.8[.781]           | 3-2     | 23          | 0.20[.008] | 01159 | 1-192008-6 |
| [.050]   | [.72]      | BeCu  |         | 19.8[.781]           | 3-2     | 23          | 0.15[.006] | 01316 | 1-192008-5 |
| [.052]   | [.69]      | BeCu  |         | 19.0[.750]           | 1-2     | 22          | 0.20[.008] | 01236 | 1-192008-4 |
| [.052]   | [.69]      | BeCu  |         | 19.0[.750]           | 3-2     | 22          | 0.20[.008] | 01158 | 1-192008-3 |
| [.052]   | [.69]      | BeCu  |         | 19.0[.750]           | UNPL    | 22          | 0.20[.008] | 01295 | 1-192008-2 |
| [.050]   | [.69]      | BeCu  |         | 19.0[.750]           | 1-2     | 22          | 0.15[.006] | 01160 | 1-192008-1 |
| [.050]   | [.69]      | BeCu  |         | 19.0[.750]           | 3-2     | 22          | 0.15[.006] | 01157 | 1-192008-0 |
| [.050]   | [.69]      | BeCu  |         | 19.0[.750]           | UNPL    | 22          | 0.15[.006] | --    | 1-192008-9 |
| [.052]   | [.56]      | BeCu  |         | 16.0[.630]           | 3-2     | 18          | 0.20[.008] | 01149 | 1-192008-8 |
| [.050]   | [.53]      | BeCu  |         | 14.1[.554]           | 3-2     | 17          | 0.15[.006] | 01142 | 1-192008-7 |
| [.050]   | [.49]      | BeCu  |         | 12.7[.500]           | 3-2     | 14          | 0.15[.006] | 01140 | 1-192008-6 |
| [.050]   | [.49]      | BeCu  |         | 12.7[.500]           | UNPL    | 14          | 0.15[.006] | 01215 | 1-192008-5 |
| [.050]   | --         | BeCu  | [5.20]  | --                   | 3-2     | 52          | 0.15[.006] | 01040 | 1-192008-4 |
| [.050]   | --         | BeCu  | NOTE12  | --                   | 3-2     | --          | 0.15[.006] | 01014 | 1-192008-3 |
| [.050]   | --         | BeCu  | NOTE12  | --                   | UNPL    | --          | 0.15[.006] | 01042 | 1-192008-2 |
| [.050]   | --         | BeCu  | NOTE12  | --                   | 3-2     | --          | 0.10[.004] | 01050 | 1-192008-1 |

OBSOLETE

△ OBSOLETE

OBSOLETE

△ OBSOLETE

OBSOLETE

OBSOLETE

△ OBSOLETE

OBSOLETE

OBSOLETE

OBSOLETE

△ OBSOLETE

OBSOLETE

OBSOLETE

OBSOLETE

△ OBSOLETE

OBSOLETE

OBSOLETE

△ OBSOLETE

OBSOLETE

OBSOLETE

△ OBSOLETE

OBSOLETE

△ OBSOLETE

OBSOLETE

OBSOLETE

△ OBSOLETE

OBSOLETE

△ OBSOLETE

OBSOLETE

OBSOLETE

△ OBSOLETE

OBSOLETE

OBSOLETE

OBSOLETE

OBSOLETE

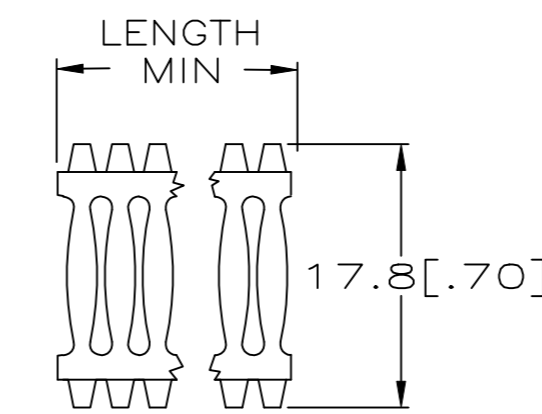
△ OBSOLETE

OBSOLETE

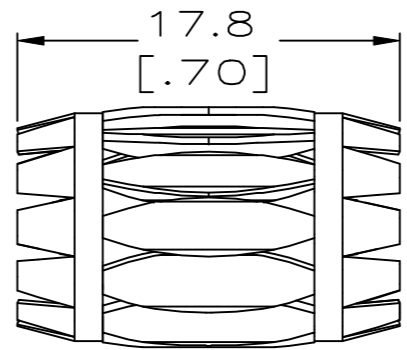
△ OBSOLETE

OBSOLETE

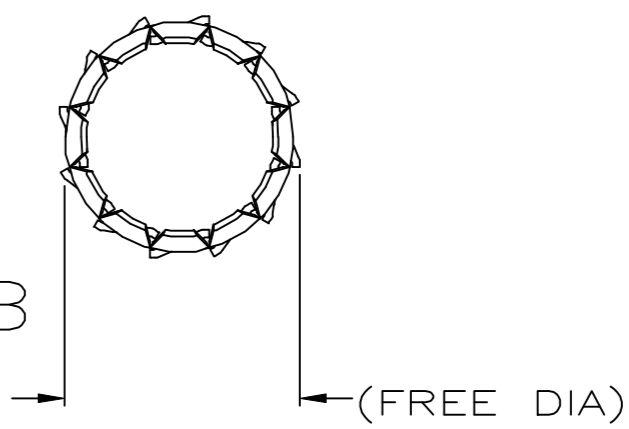
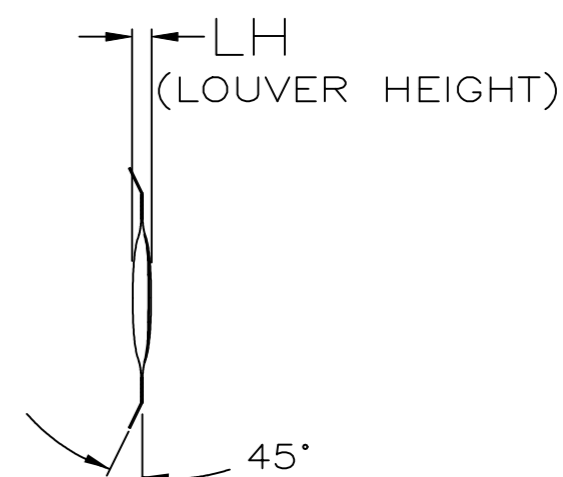
OBSOLETE



STYLE C (STRIP)



STYLE B (MALE)



- FINISH: GOLD PLATE 10 uIN MIN.
- FINISH: NICKEL PLATE 40 uIN MIN.
- FINISH: SILVER PLATE 200 uIN MIN.
- NOT USED.
- NOT USED.
- NOT USED.
- NOT USED.
- NOT USED.
- NOT USED.
- NOT USED.
- PLATING NOTES TO BE INTERPRETED AS FOLLOWS, 3-2 AS 3 OVER 2.
- PRODUCT IS SOLD BY FOOT, 3 FEET MINIMUM.
- PRELIMINARY PART NUMBER.
- OBSOLETE PARTS: OBSOLETE CIS STREAMLINING PER D.RENAUD/D.SINISI

D

C

B

A

192008

|  |  |                  |          |                            |           |
|--|--|------------------|----------|----------------------------|-----------|
| THIS DRAWING IS A CONTROLLED DOCUMENT. |  | DWN 06-30-92     | RA JAYNE | <b>STE</b> TE Connectivity |           |
| DIMENSIONS: INCHES                     |  | CHK -            | APVD -   |                            |           |
| TOLERANCES UNLESS OTHERWISE SPECIFIED: |  | PRODUCT SPEC     |          | CONTACT BAND, MALE         |           |
| 0 PLC ± -                              |  | APPLICATION SPEC |          | SIZE                       | CAGE CODE |
| 1 PLC ± -                              |  | WEIGHT           |          | A2                         | 00779     |
| 2 PLC ± 0.5[.02]                       |  | DRAWING NO       |          | C=192008                   |           |
| 3 PLC ± 0.25[.010]                     |  | RESTRICTED TO    |          | -                          |           |
| 4 PLC ± -                              |  | CUSTOMER DRAWING |          | SCALE                      | NTS       |
| ANGLES ± -                             |  | SHEET            |          | 1 of 1                     |           |
| FINISH                                 |  | REV              |          | L                          |           |