

THIS DRAWING IS UNPUBLISHED. RELEASED FOR PUBLICATION 20
 © COPYRIGHT 20 BY TYCO ELECTRONICS CORPORATION. ALL RIGHTS RESERVED.

| REVISIONS | | | | |
|-----------|-----------|----|-----|-----|
| REV | DATE | BY | CHK | APP |
| A | 10-Dec-08 | KK | HY | |

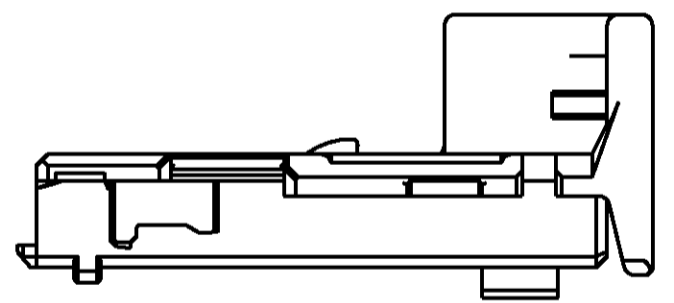
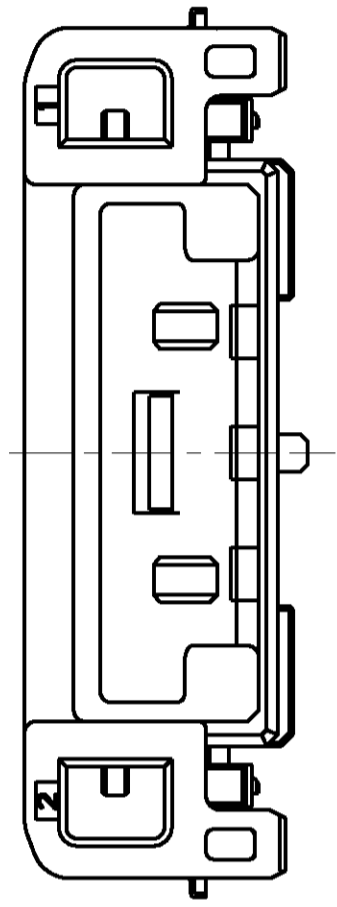
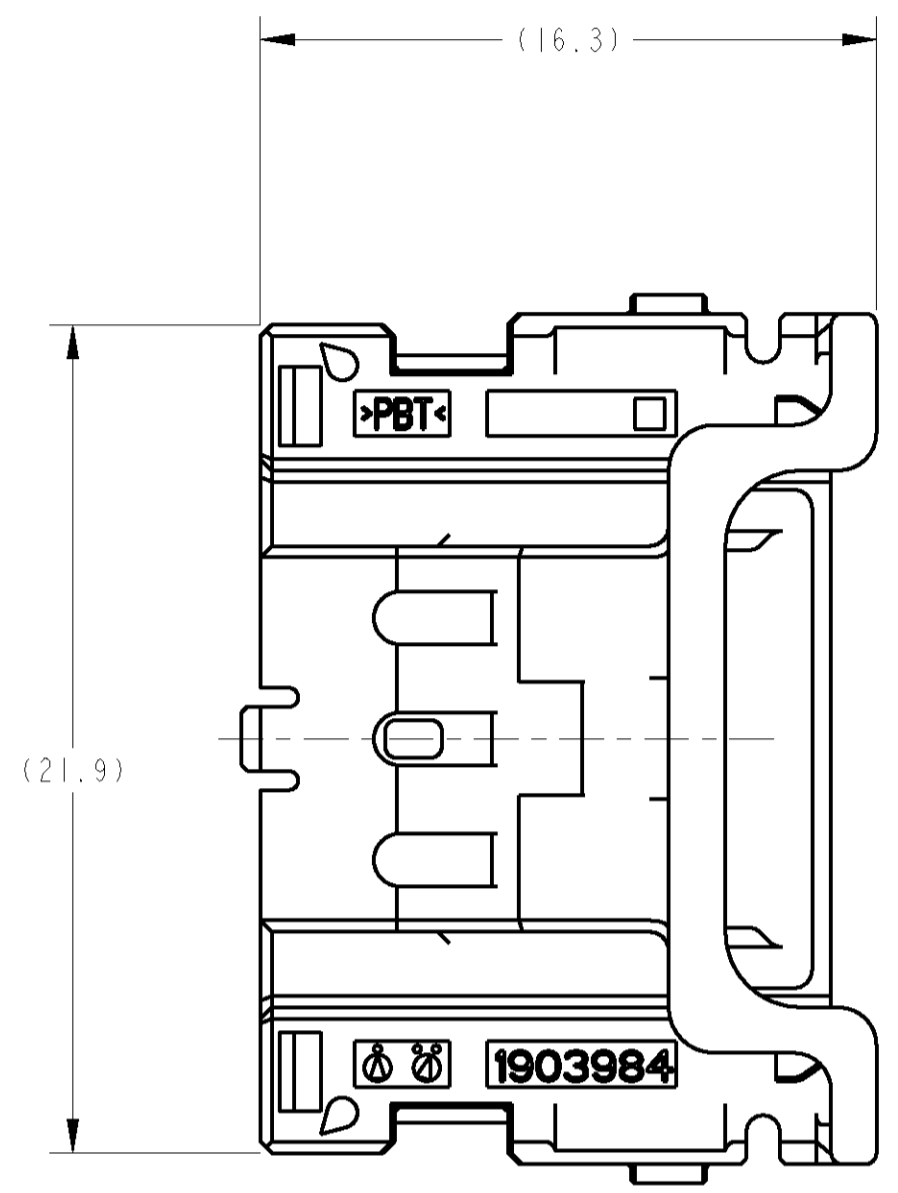
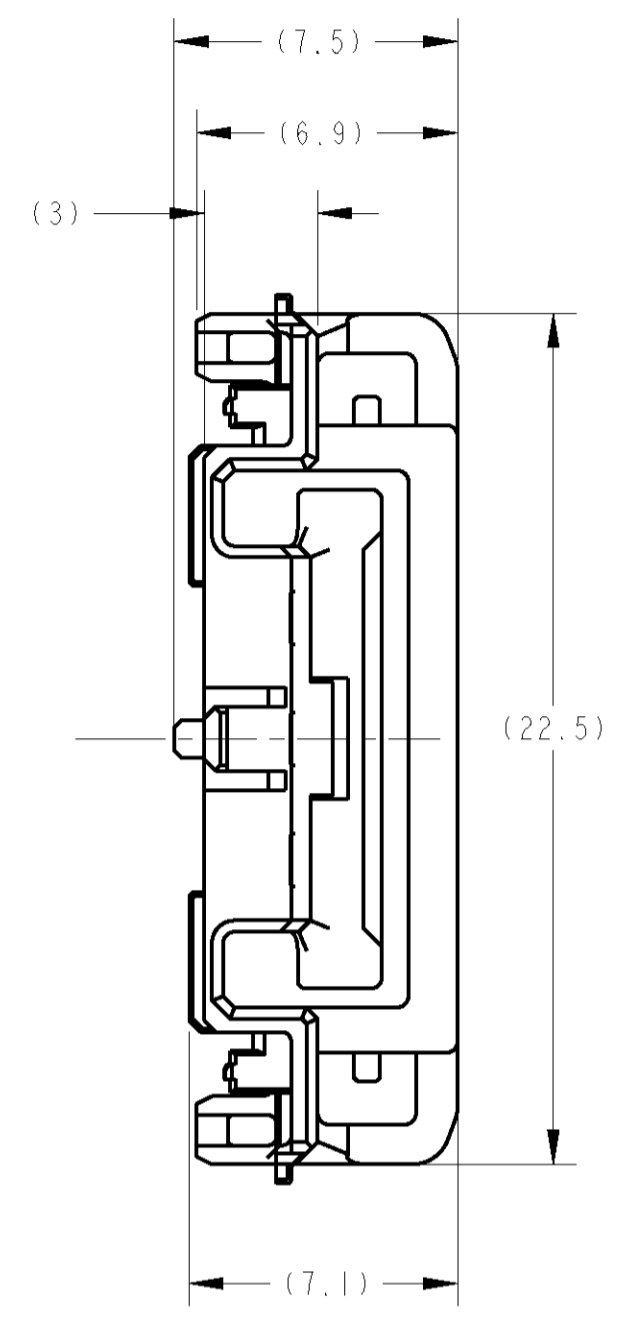


TABLE-1

| | | APPLIED TERMINAL P/N 適用端子 P/N | APPLICABLE WIRE RANGE 適用電線 |
|---------------|------|----------------------------------|-------------------------------|
| SIGNAL 0.5 | TIN | 1827855-4 | 0.13-0.5mm ² |
| | TIN | 1827855-1 | |
| | GOLD | 1903703-1 | |
| | TIN | 1827855-2 | |
| | TIN | 1827855-3 | |

1. 本製品は、別番のコンポーネントと組合せて使用する。
2. 取扱説明書 NO: 411-78268
3. 組合せ相手型番: 取扱説明書を参照のこと。
4. 嵌合相手代表型番: 取扱説明書を参照のこと。
5. 適用端子: TABLE-1参照

1. THIS PRODUCT IS USED STACK WITH ANOTHER COMPONENTS.
2. HANDLING OF THIS PART SHOULD FOLLOW INSTRUCTION SHEET NO.411-78268.
3. COMPONENTS NUMBER OF STACKING;REFERENCE TO INSTRUCTION SHEET.
4. MATING CONNECTOR PART(TYPICAL);REFERENCE TO INSTRUCTION SHEET.
5. APPLIED TERMINAL:SEE TABLE-1

| | | | |
|---------------------|-----------------------|---------|-----------|
| PAPER BOX ダンボール箱 | SOFT TRAY プリスタートレイ | GRAY | 1903984-3 |
| | | NATURAL | 1903984-1 |
| OUTER 外装 | INNER 内装 | COLOR | PART No. |
| PACKING STYLE 梱包形態 | | | |

| | | | |
|---|---|--|---|
| THIS DRAWING IS A CONTROLLED DOCUMENT FOR TYCO ELECTRONICS CORPORATION IT IS SUBJECT TO CHANGE AND THE CONTROLLING ENGINEERING ORGANIZATION SHOULD BE CONTACTED FOR THE LATEST REVISION | | DWN: K.KATO 10DEC08 CHK: R.KOMIYAMA 10DEC08 APVD: H.YAMAGAMI 10DEC08 | Tyco Electronics Corporation Kawasaki, Japan |
| DIMENSIONS: 単位: 純 mm | TOLERANCES UNLESS OTHERWISE SPECIFIED: 一般公差 ±0.3 0-PLC ±0.5 1-PLC ±0.5 2-PLC ±0.13 3-PLC ±0.013 4-PLC ±0.0001 ANGLES ±3°00' | PRODUCT SPEC 108-78437 APPLICATION SPEC 取付適用規格 | NAME 0.5 2POSITION LOCK HOUSING STACKING TYPE |
| MATERIAL 材料 PBT | FINISH 仕上 SEE TABLE | WEIGHT 0.65 g | SIZE A2 |
| CUSTOMER DRAWING | | CAGE CODE 00779 | DRAWING NO. 1903984 |
| | | SCALE 5:1 | SHEET OF REV 1 OF 1 A |