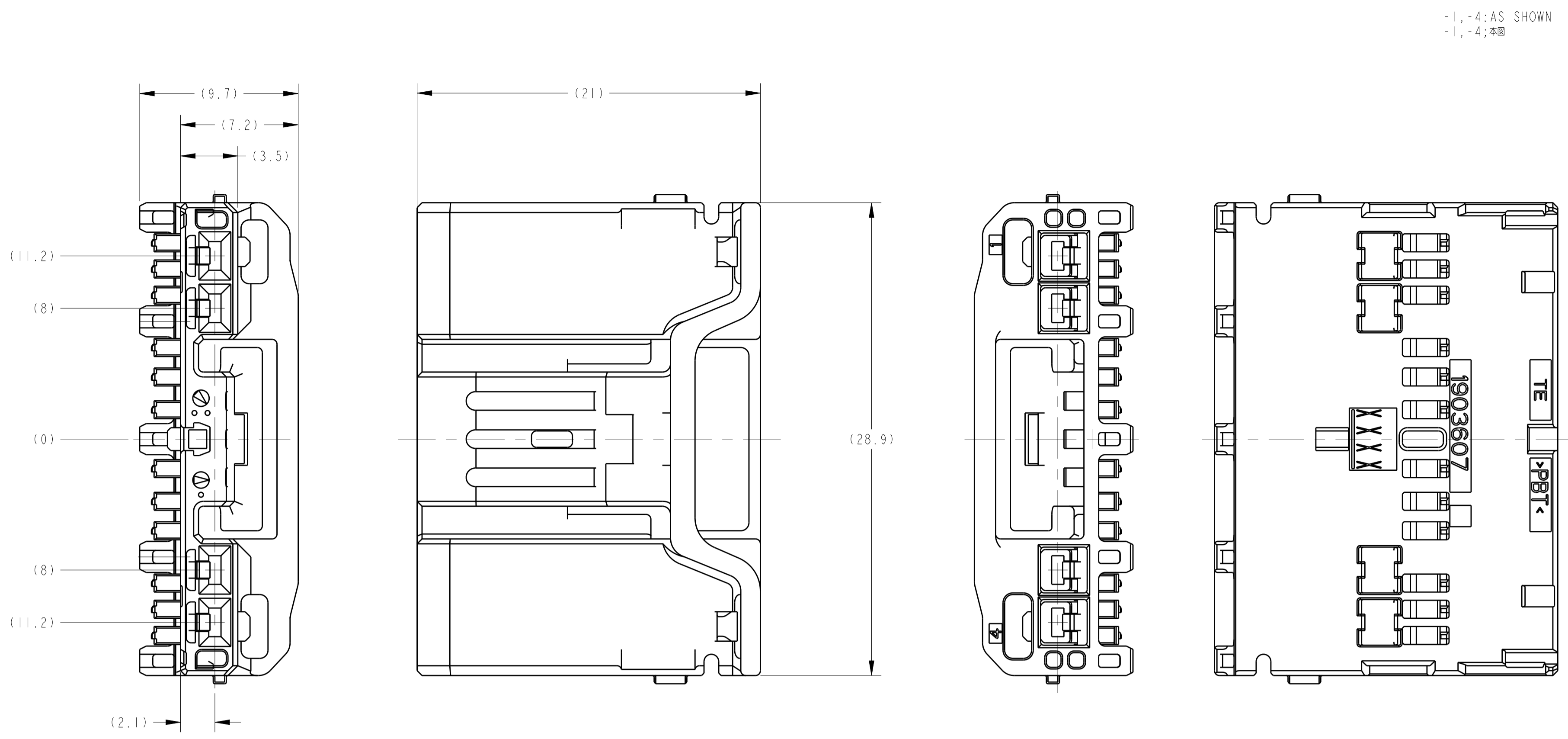
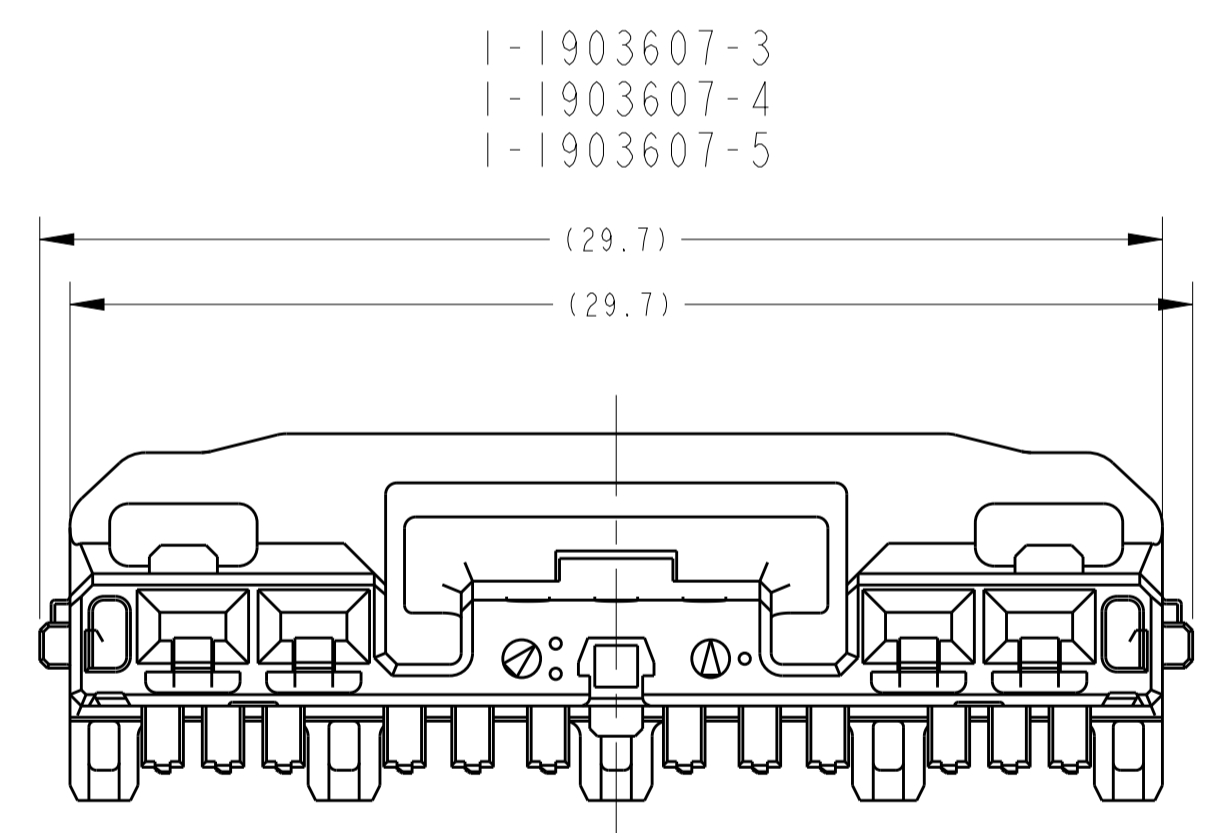


REV. NO.		REVISIONS			
REV. NO.	DATE	DESCRIPTION	DATE	DWN	APVD
A4	14MAR14	REVISED	ECR-14-003707	YT	RK
A5	06JUN2017	ADD 1-1903607-5	ECR-17-007541	YM	TK



-1,-4:AS SHOWN  
 -1,-4:本図



1. 本製品は、別冊のコンポーネントと組合せて使用する。
  2. 取扱説明書 NO: 411-78268, 78269
  3. 組合せ相手型番・取扱説明書を参照のこと。
  4. 嵌合相手代表型番：取扱説明書を参照のこと。
  5. 1.5型端子の仕様は、各製造・供給元の仕様書を確認すること。
1. THIS PRODUCT IS USED STACK WITH ANOTHER COMPONENTS.
  2. HANDLING OF THIS PART SHOULD FOLLOW INSTRUCTION SHEET NO.411-78268,78269.
  3. COMPONENTS NUMBER OF STACKING;REFERENCE TO INSTRUCTION SHEET.
  4. MATING CONNECTOR PART(TYPICAL);REFERENCE TO INSTRUCTION SHEET.
  5. REFERENCE TO "1.5 RECEPTACLE CONTACT SPECIFICATION" BY PRODUCT MAKER AND SUPPLIERS SPECIFIED.

PACKING STYLE	COLOR	PART NO.
PAPER BOX タンボール箱	GRAY	1-1903607-5
	BLACK	1-1903607-4
	NATURAL	1-1903607-3
	BLACK	1903607-6
	BLACK	1903607-5
	BLACK	1903607-4
	NATURAL	1903607-3
SOFT TRAY アリスートレイ	NATURAL	1903607-2
	NATURAL	1903607-1

THIS DRAWING IS A CONTROLLED DOCUMENT.		DWN R. KATO	03DEC08	TE Connectivity <b>1.5 4 POSITION LOCK HOUSING</b> STACKING TYPE
DIMENSIONS: mm		CHK R. KOMIYAMA	03DEC08	
TOLERANCES UNLESS OTHERWISE SPECIFIED: mm		APVD H. YAMAGAMI	03DEC08	SIZE A1
0-PLC ±0.3 1-PLC ±0.5 2-PLC ±0.13 3-PLC ±0.13 4-PLC ±0.001		PRODUCT SPEC 108-78437, 78438	APPLICATION SPEC	RESTRICTED TO
MATERIAL PBT	FINISH SEE TABLE	WEIGHT 1.52 g	CAGE CODE 00779	DRAWING NO. 1903607
CUSTOMER DRAWING			SHEET 5:1	REV A5