

4

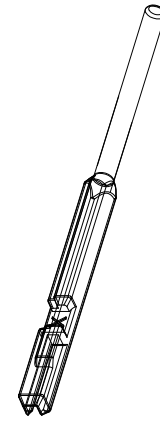
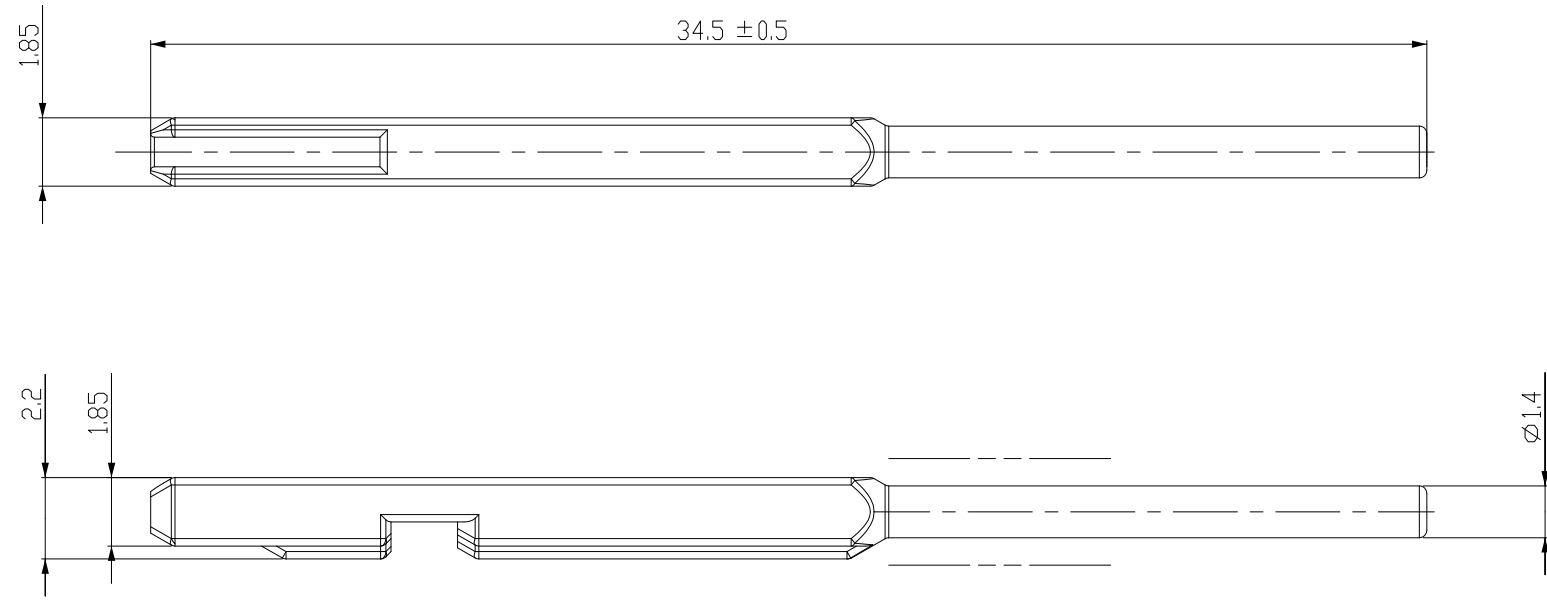
3

2

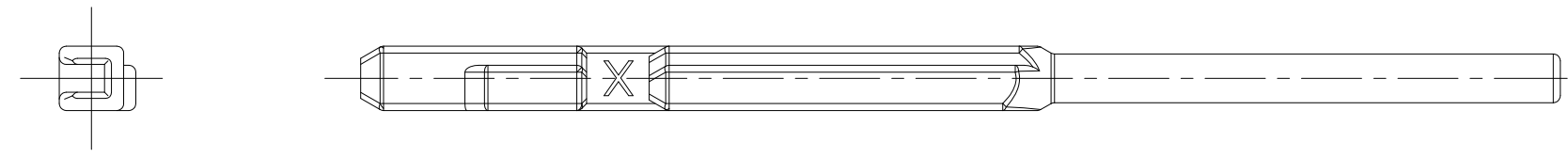
1

THIS DRAWING IS UNPUBLISHED. RELEASED FOR PUBLICATION 2007
 © COPYRIGHT 2007 BY TYCO ELECTRONICS CORPORATION. ALL RIGHTS RESERVED.

LOC	DIST	REVISIONS			
P	LTR	DESCRIPTION	DATE	DWN	APVD
DS	-	A	REVISED	14.SEP.07	YH JK



3D VIEW
SCALE 2:1



Notes

- PACKAGING: LOOSE PIECE IN FOLDING BOX
- USED AS SEALING PLUG ON 1897301, 1897302

BLACK	PA66-GF15	SEALING PLUG MQS-CLEAN-BODY	1897421-2
COLOR/FINISH	MATERIAL	DESCRIPTION	P/N

<small>THIS DRAWING IS A CONTROLLED DOCUMENT FOR TYCO ELECTRONICS CORPORATION IT IS SUBJECT TO CHANGE AND THE CONTROLLING ENGINEERING ORGANIZATION SHOULD BE CONTACTED FOR THE LATEST REVISION.</small>		DWN YH MA CHK YM CHOI APVD JK SONG PRODUCT SPEC APPLICATION SPEC WEIGHT CUSTOMER DRAWING		Tyco Electronics Kyungsan, korea NAME SEALING PLUG, CONTACT DUMMY MQS-CLEAN-BODY	
DIMENSIONS: mm 3rd ANGLE PROJECTION MATERIAL SEE TABLE	TOLERANCES UNLESS OTHERWISE SPECIFIED: ±0.3 ±3° FINISH -	SIZE A3 CAGE CODE 00779 DRAWING NO C-1897421	RESTRICTED TO -	SCALE 5:1 SHEET 1 OF 1 REV A	