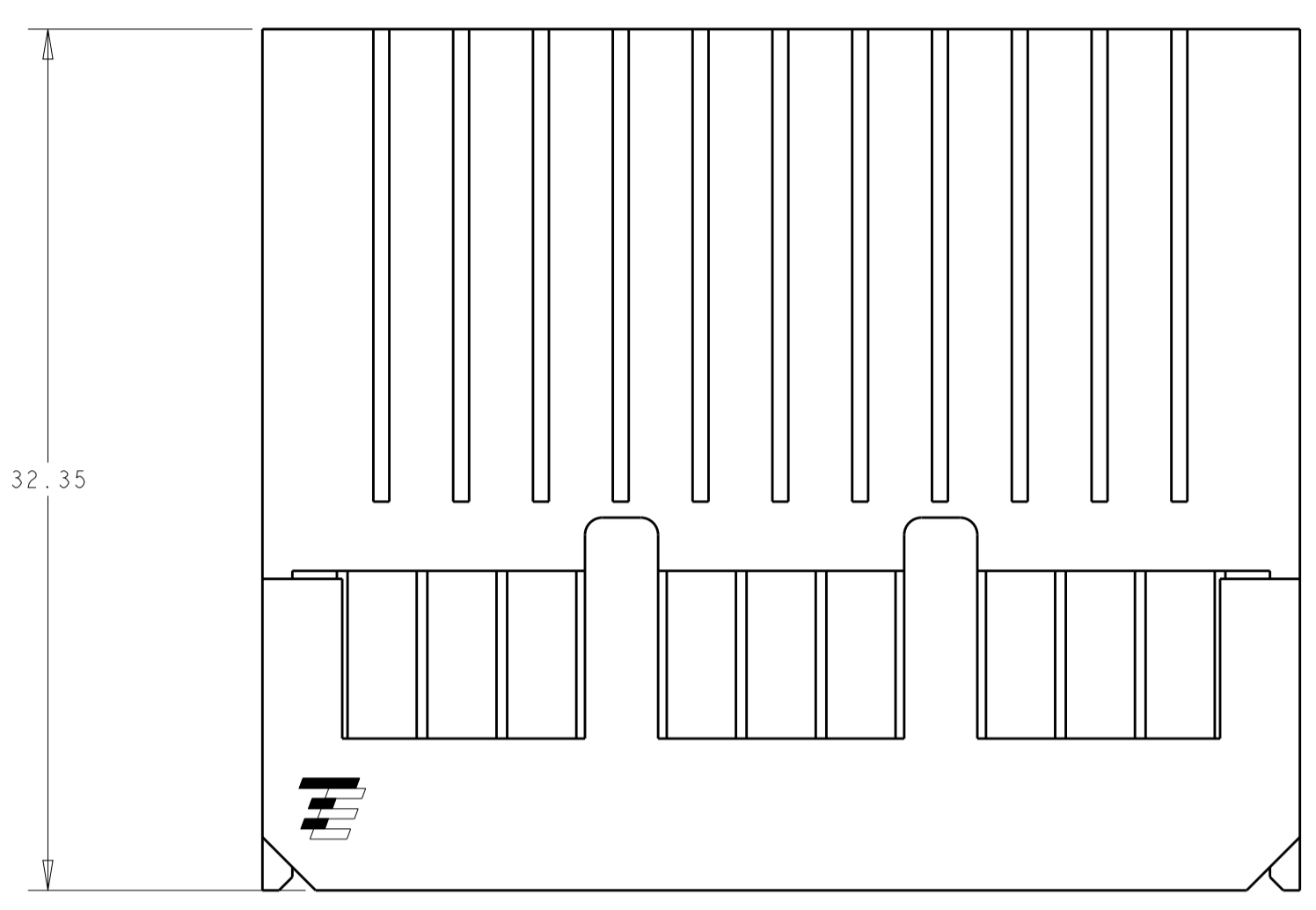
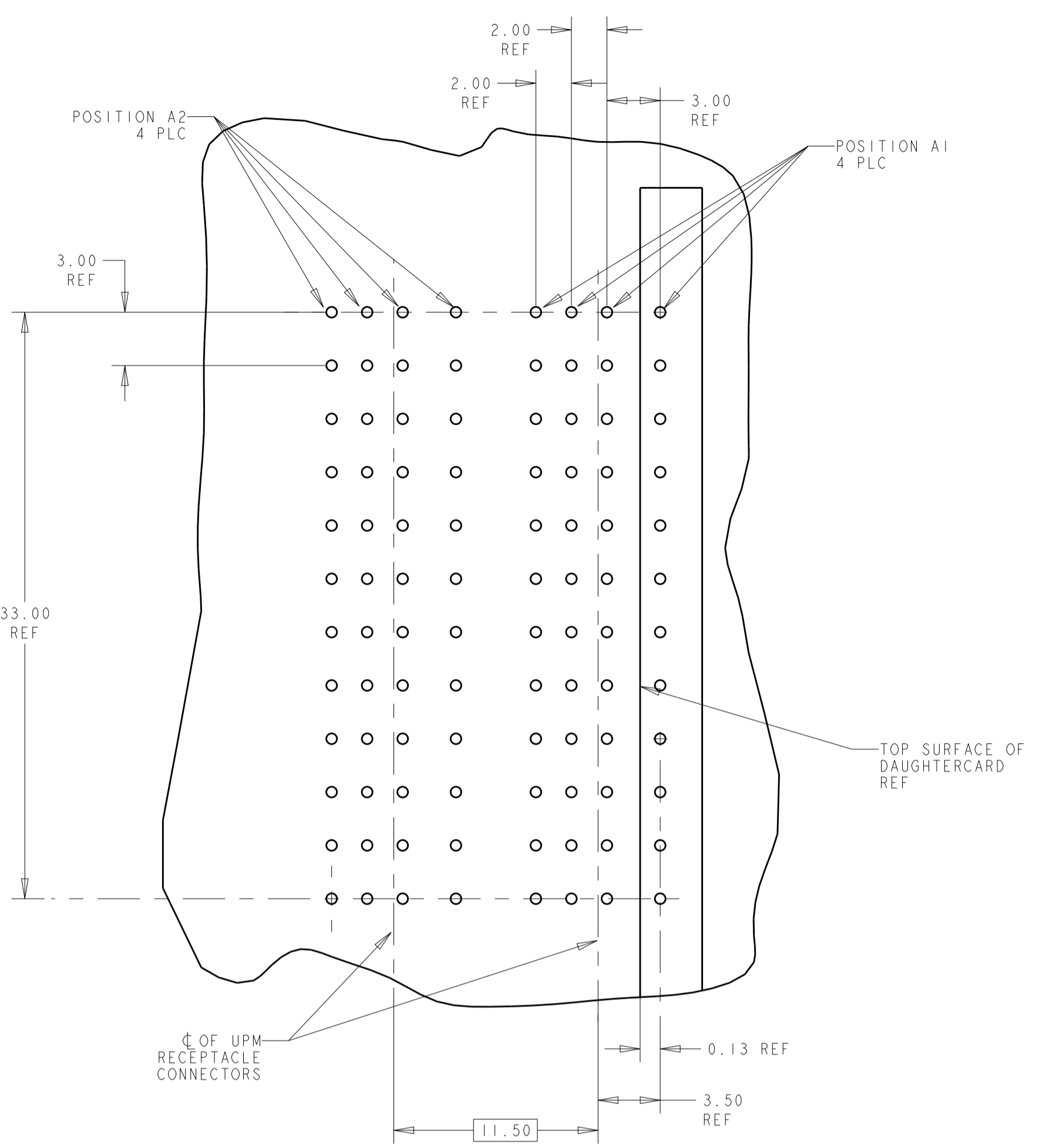
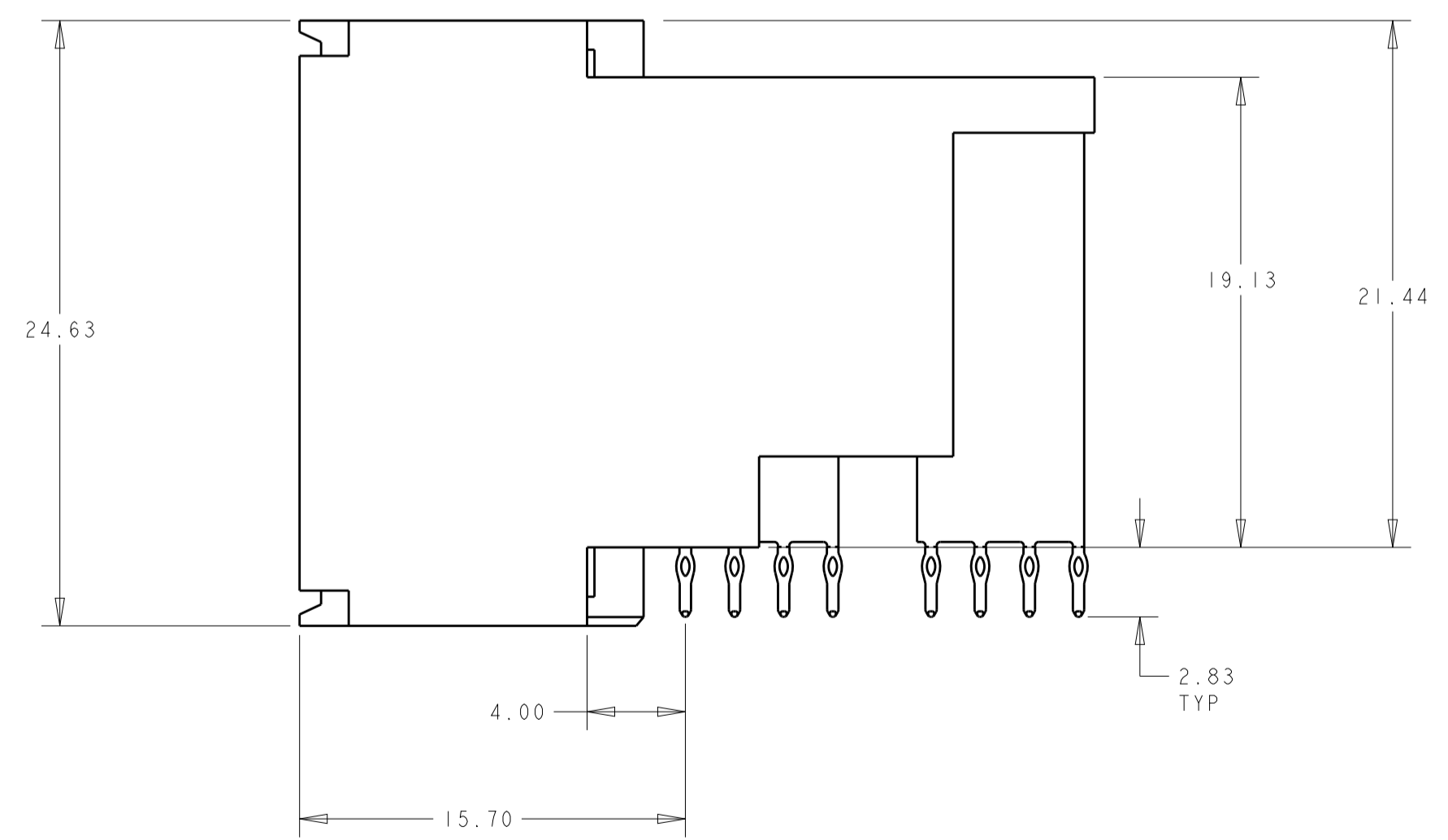
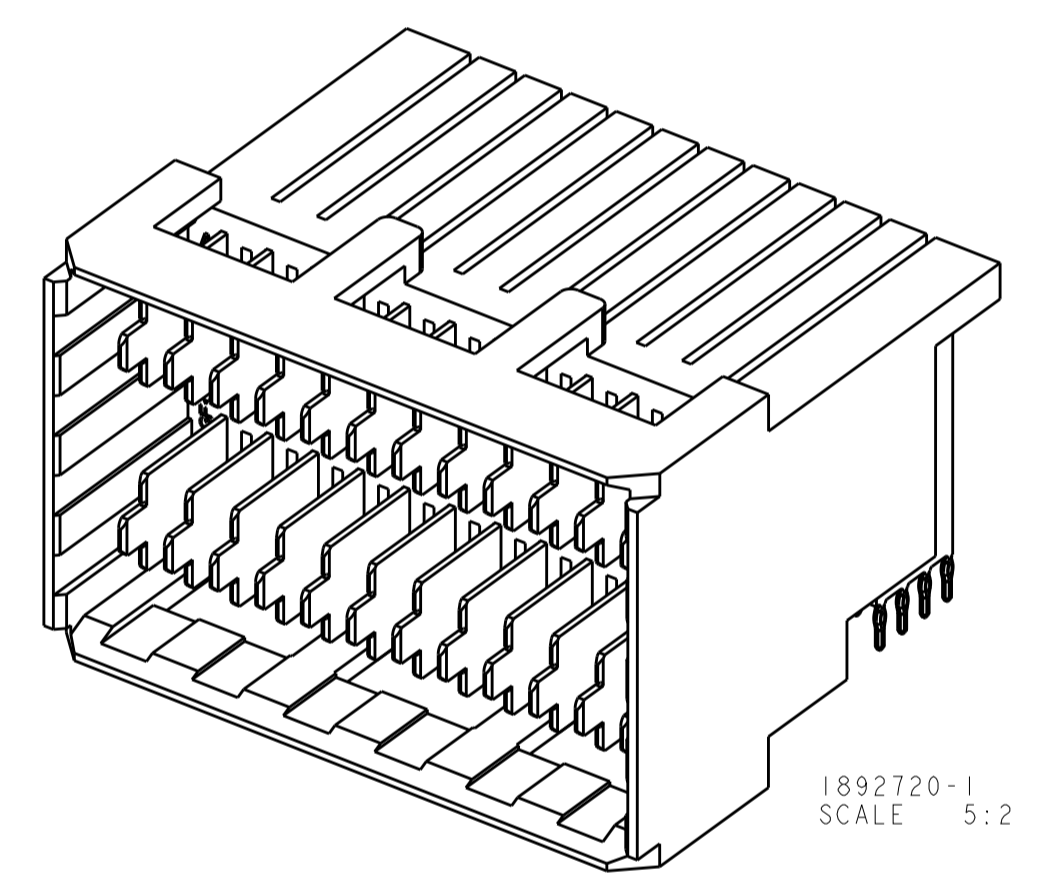
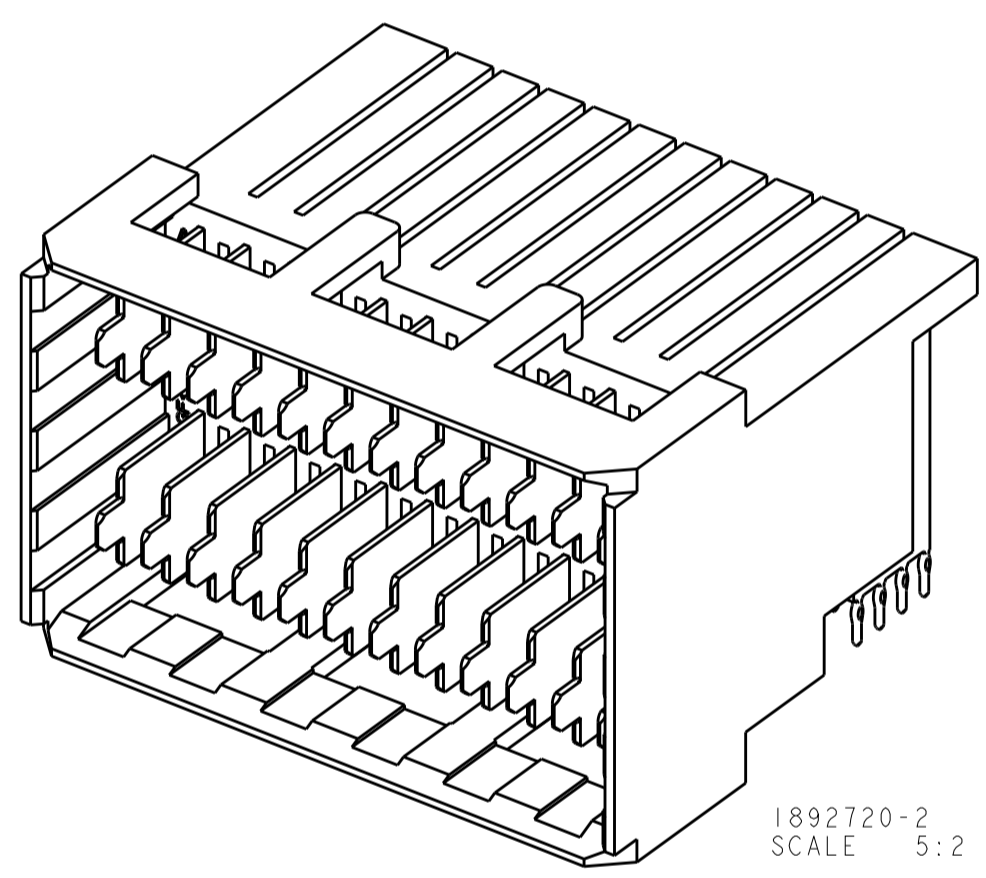
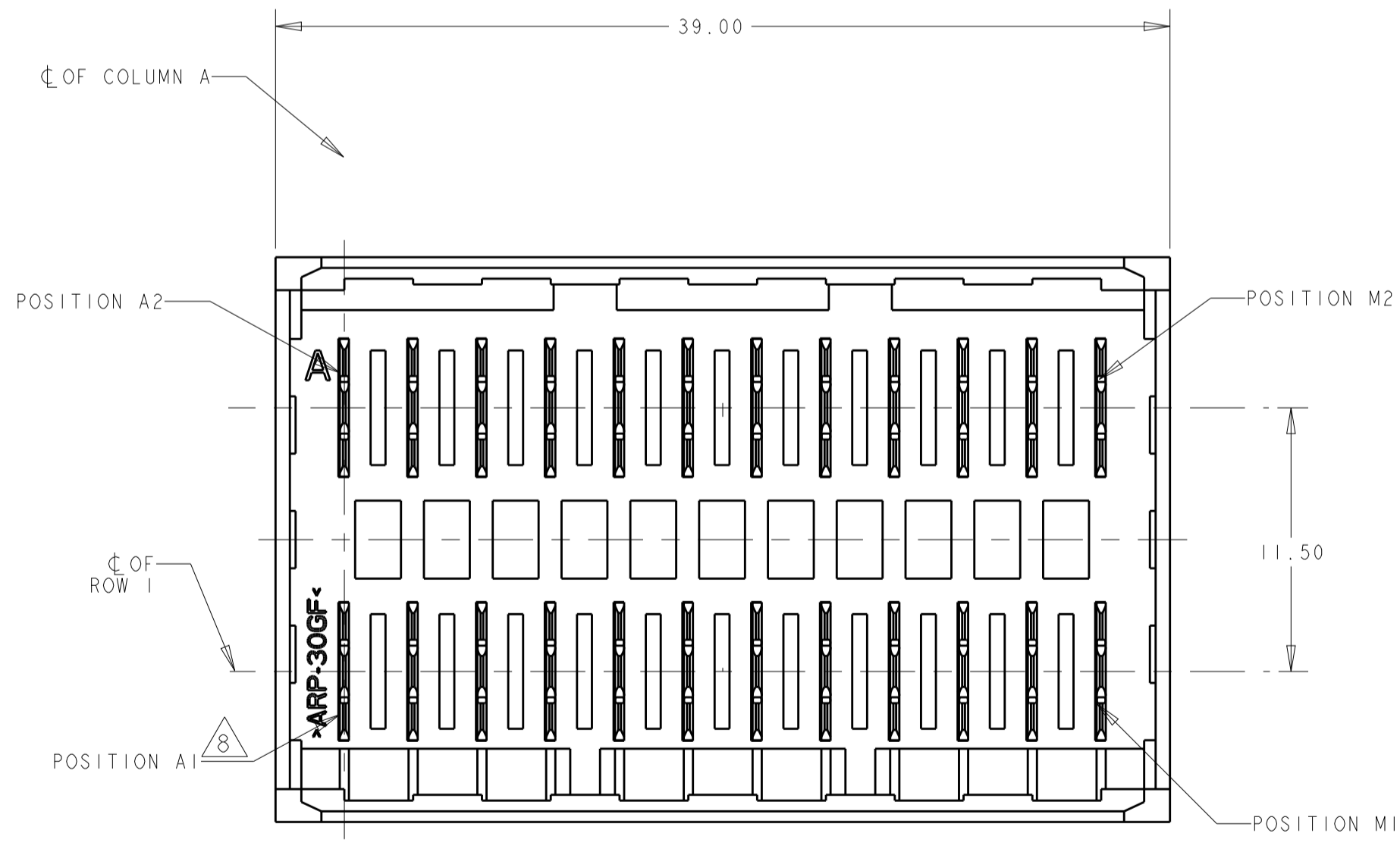
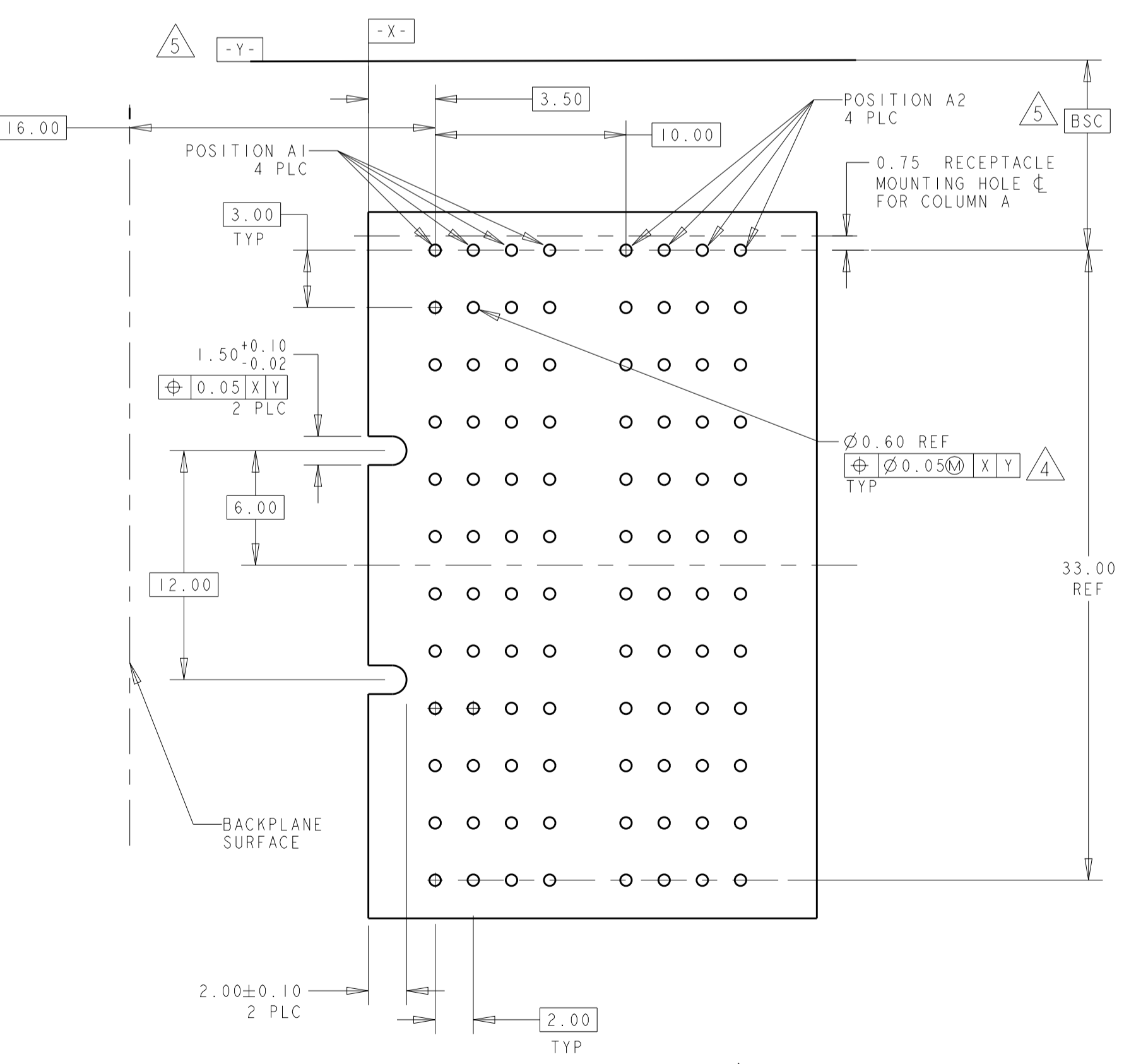


LOC	DIST	REV	DATE	BY	APP'D
GS	00	1	220C12012	OL	SZ

MATING RECEPTACLE PCB LAYOUT



- 1 MATERIAL: HOUSING: POLYESTER. COLOR: BLACK, UL 94 V-0
CONTACT: COPPER ALLOY.
- 2 FINISH: CONTACT MATING AREA: 0.00076 mm MIN GOLD PLATE OVER 0.00127 mm MIN NICKEL, OR 0.00005 mm MIN GOLD OVER 0.00064 mm PALLADIUM-NICKEL OVER 0.00127 mm MIN NICKEL.
COMPLIANT TAIL AREA: 0.0005 mm MIN BRIGHT TIN PLATE OVER 0.00127 mm NICKEL UNDERPLATE.
- 3 TAILS OF MATING UPM STYLE RECEPTACLE ARE OFFSET BY .75 mm FROM TAILS OF THIS CONNECTOR. SEE CUSTOMER DRAWING 120992 FOR RECEPTACLE EXAMPLE. SEE APPLICATION SPEC 114-1103 FOR MORE DETAILED DESCRIPTION OF THE TAIL OFFSETS.
- 4 PC BOARD HOLE SPECIFICATIONS:
DRILLED HOLE SIZE: 0.700±0.02 mm
FINISHED HOLE SIZE: 0.60±0.05 mm
PLATING THICKNESS:
0.025 - 0.050 mm COPPER
0.004 - 0.010 mm HASL TIN
0.0005 mm MIN IMMERSION TIN
0.0002 - 0.0005 mm OSP
0.0001mm MIN IMMERSION SILVER
0.0001-0.0005 mm IMMERSION GOLD OVER 0.004-0.005 mm NICKEL
- 5 DATUM AND BASIC DIMENSIONS ESTABLISHED BY CUSTOMER.
- 6 MINIMUM REQUIRED PC BOARD THICKNESS IS 1.44mm.
- 7. CONTACT AREA LUBRICATED WITH BELLCORE APPROVED LUBRICANT. TECHNICAL REFERENCE GR-1217-CORE, ISSUE 1 NOVEMBER 1995.
- 8 POSITION A1 IS AT MATERIAL ID.



RECOMMENDED PCB LAYOUT

LONG PIN LOCATION		SHORT PIN LOCATION		PART NO
A1, B1, C1, D1, E1, F1, G1, H1, J1, K1, L1, M1		A2, B2, C2, D2, E2, F2, G2, H2, J2, K2, L2, M2		1892720-2 1892720-1

DIMENSIONS: mm 	TOLERANCES UNLESS OTHERWISE SPECIFIED: 0 PLC ±.25 1 PLC ±.25 2 PLC ±.25 3 PLC ±.25 4 PLC ±.25 ANGLES ±1°	DWN: ORANDO L1 220C12012 CHK: SUNY ZHAO 220C12012 APP'D: SUNY ZHAO 220C12012 PRODUCT SPEC: 108-2289 APPLICATION SPEC: 114-13269 WEIGHT: - Customer Drawing	Tyco Electronics Shanghai, PA 200233 NAME: ASSEMBLY, RIGHT ANGLE HEADER, MINIPAK HDE, 2X12 POSITION SIZE: A1100779 SCALE: 4:1	SHEET: 1 OF 1 REV: -
-----------------------	--	--	---	-------------------------