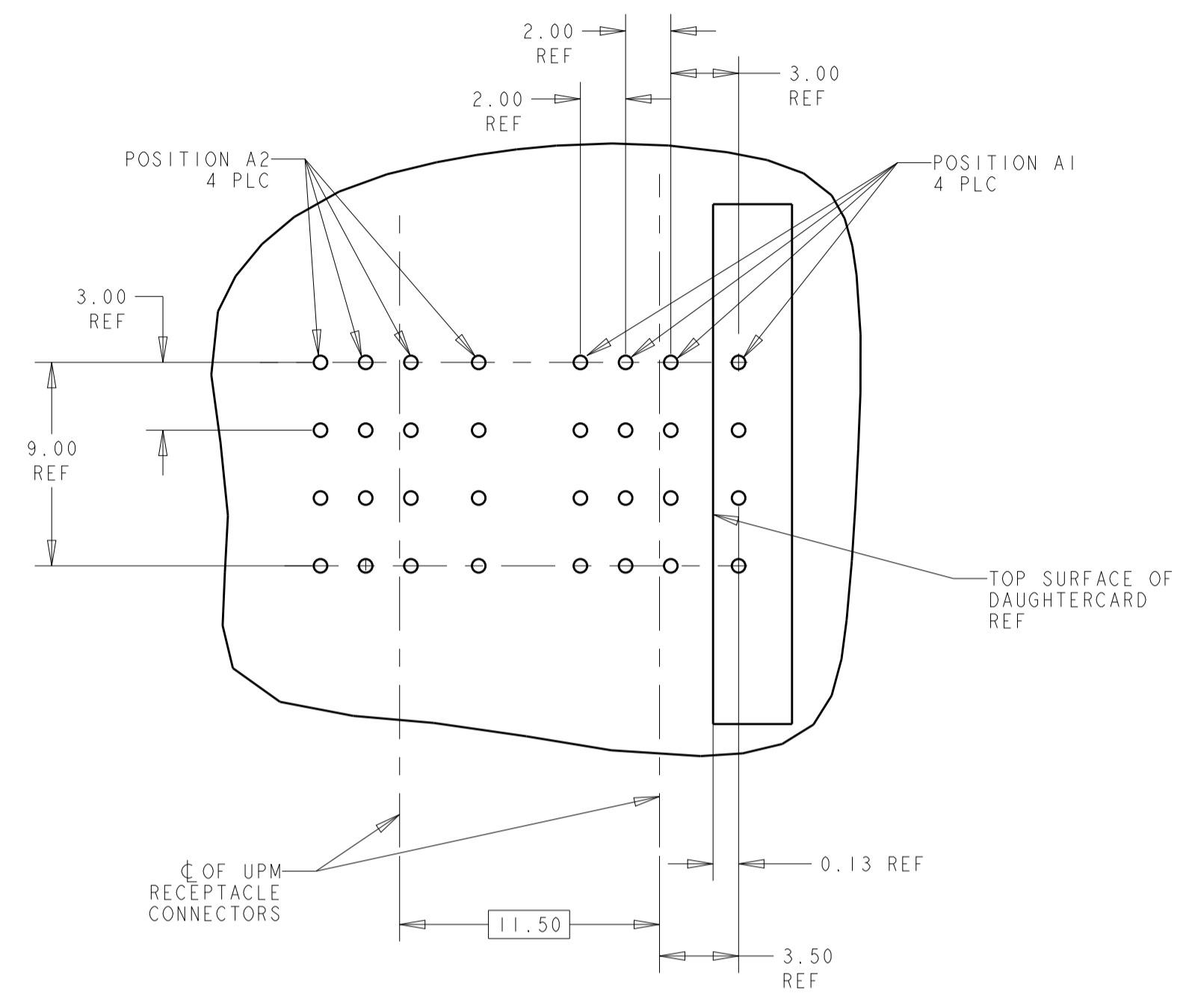
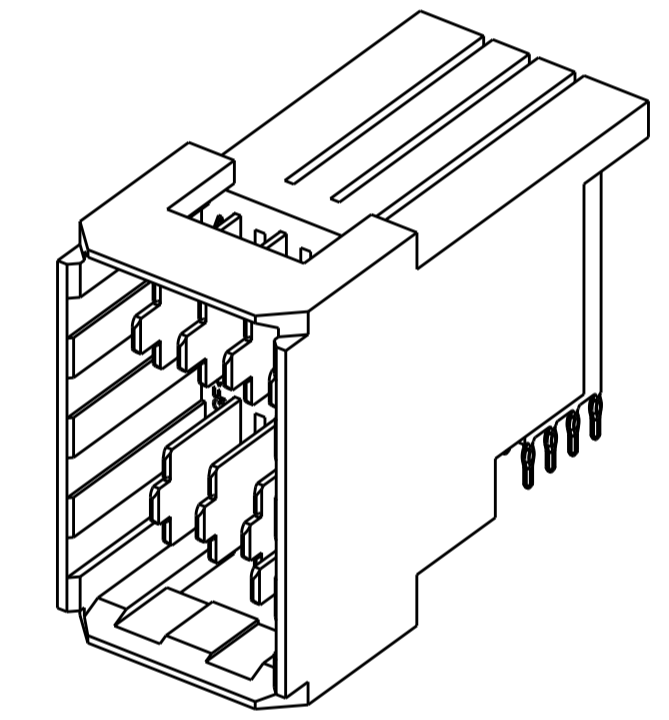
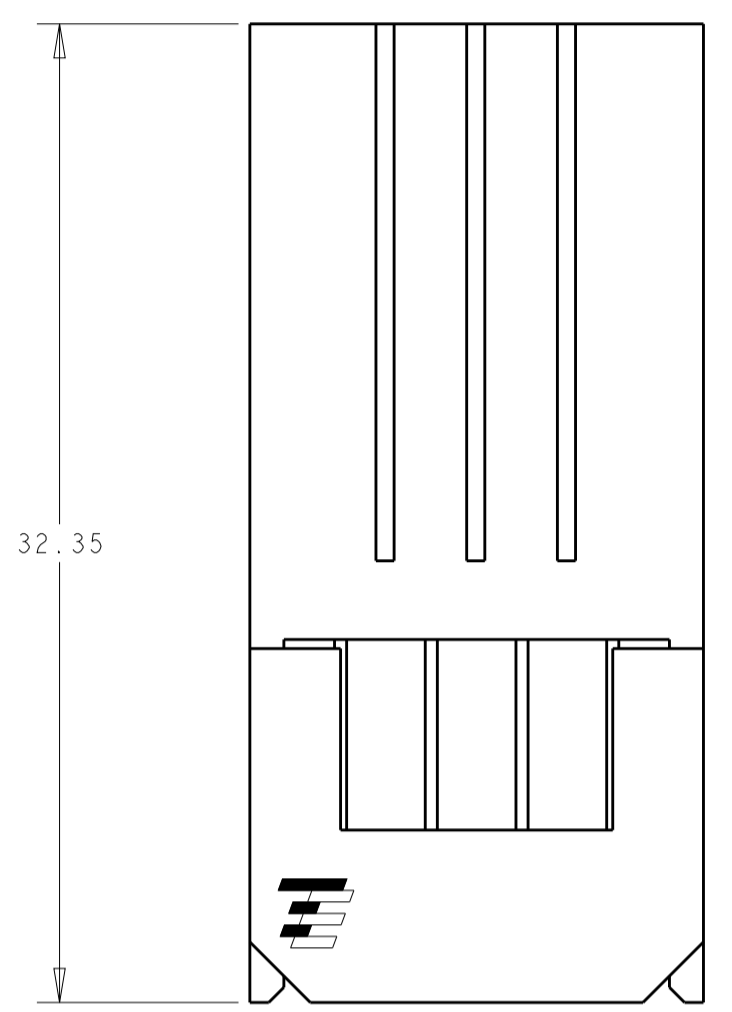


LOC		DIST		REVISIONS			
P	LTN	DESCRIPTION	DATE	OWN	APVD		
I		PROPOSAL DRAWING	07JUN2012	OL	SZ		
A		INITIAL RELEASE	17SEP2012	OL	SZ		

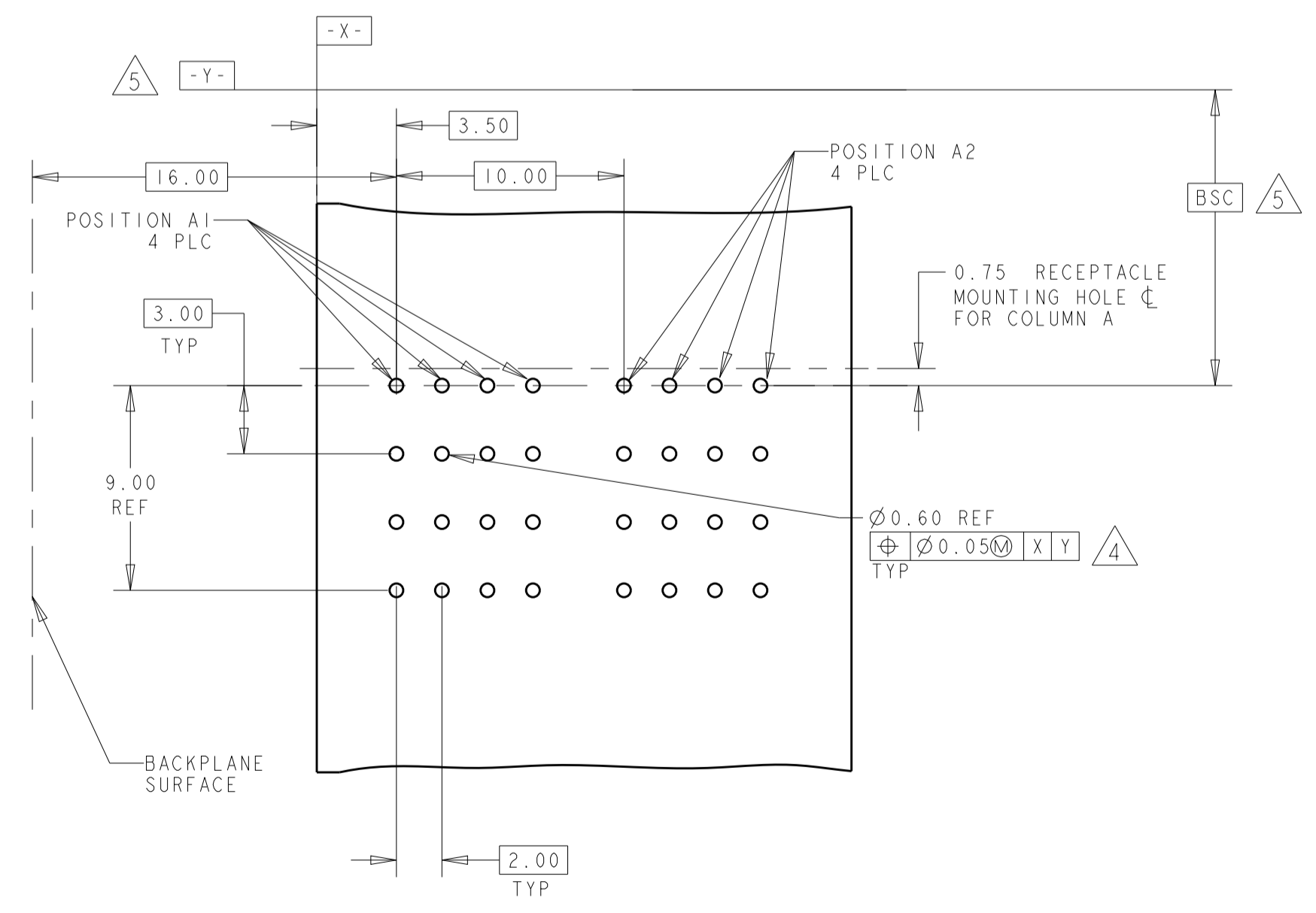
- 1 MATERIAL: HOUSING: POLYESTER. COLOR: BLACK, UL 94 V-0  
CONTACT: COPPER ALLOY.
- 2 FINISH: CONTACT MATING AREA: 0.00076 mm MIN GOLD PLATE OVER 0.00127 mm MIN NICKEL, OR 0.0005 mm MIN GOLD OVER 0.00064 mm PALLADIUM-NICKEL OVER 0.00127 mm MIN NICKEL.  
COMPLIANT TAIL AREA: 0.0005 mm MIN TIN PLATE OVER 0.00127 mm NICKEL UNDERPLATE.
- 3 TAILS OF MATING UPM STYLE RECEPTACLE ARE OFFSET BY .75 mm FROM TAILS OF THIS CONNECTOR. SEE CUSTOMER DRAWING 120992 FOR RECEPTACLE EXAMPLE. SEE APPLICATION SPEC 114-1103 FOR MORE DETAILED DESCRIPTION OF THE TAIL OFFSETS.
- 4 PC BOARD HOLE SPECIFICATIONS:  
DRILLED HOLE SIZE: 0.700±0.02 mm  
FINISHED HOLE SIZE: 0.60±0.05 mm  
PLATING THICKNESS:  
0.025 - 0.050 mm COPPER  
0.004 - 0.010 mm HASL TIN  
0.0005 mm MIN IMMERSION TIN  
0.0002 - 0.0005 mm OSP  
0.0001mm MIN IMMERSION SILVER  
0.0001-0.0005 mm IMMERSION GOLD OVER 0.004-0.005 mm NICKEL
- 5 DATUM AND BASIC DIMENSIONS ESTABLISHED BY CUSTOMER.
- 6 MINIMUM REQUIRED PC BOARD THICKNESS IS 1.4mm.
- 7. CONTACT AREA LUBRICATED WITH BELLCORE APPROVED LUBRICANT. TECHNICAL REFERENCE GR-1217-CORE, ISSUE 1 NOVEMBER 1995.
- 8 POSITION A1 IS AT MATERIAL ID.



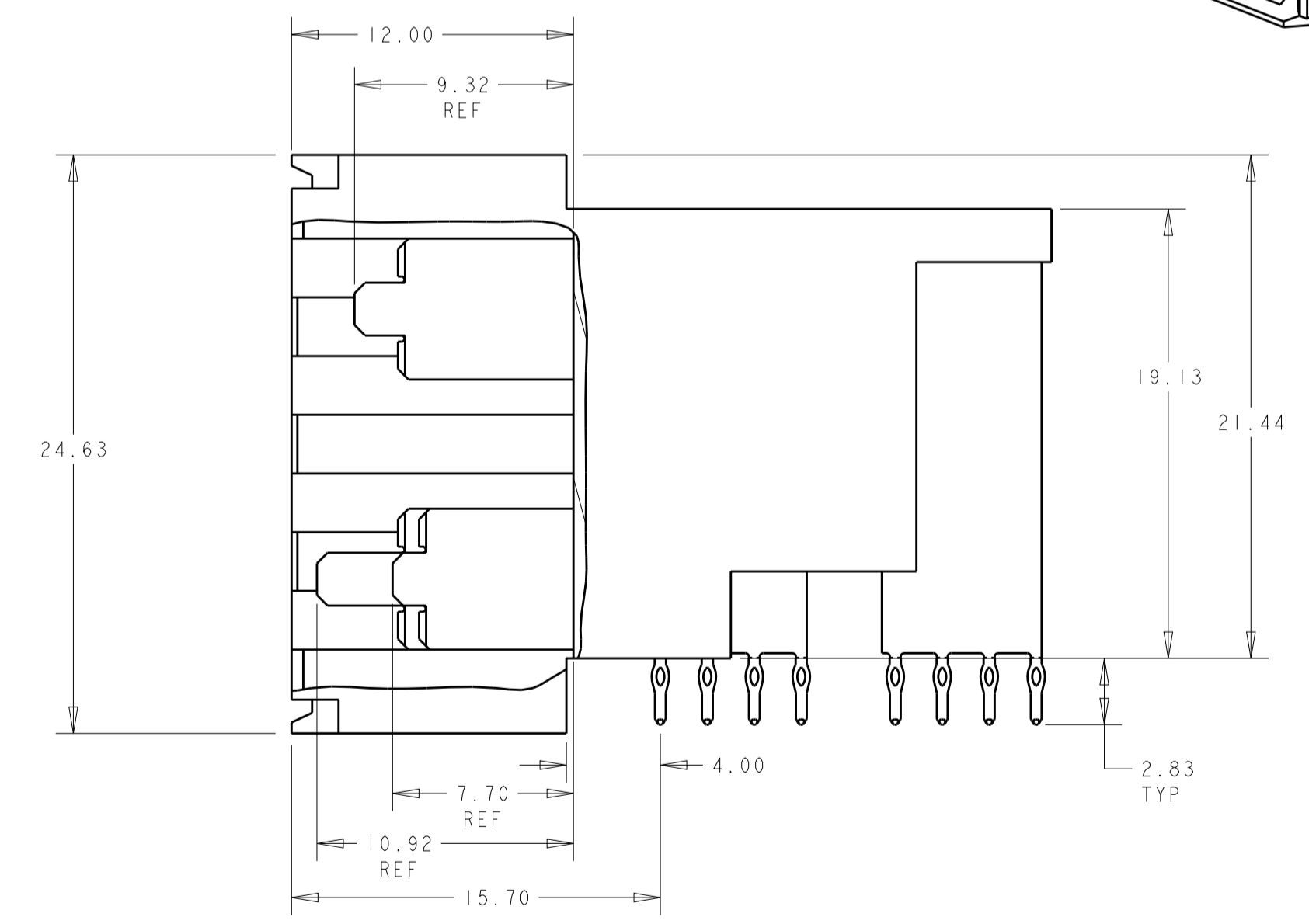
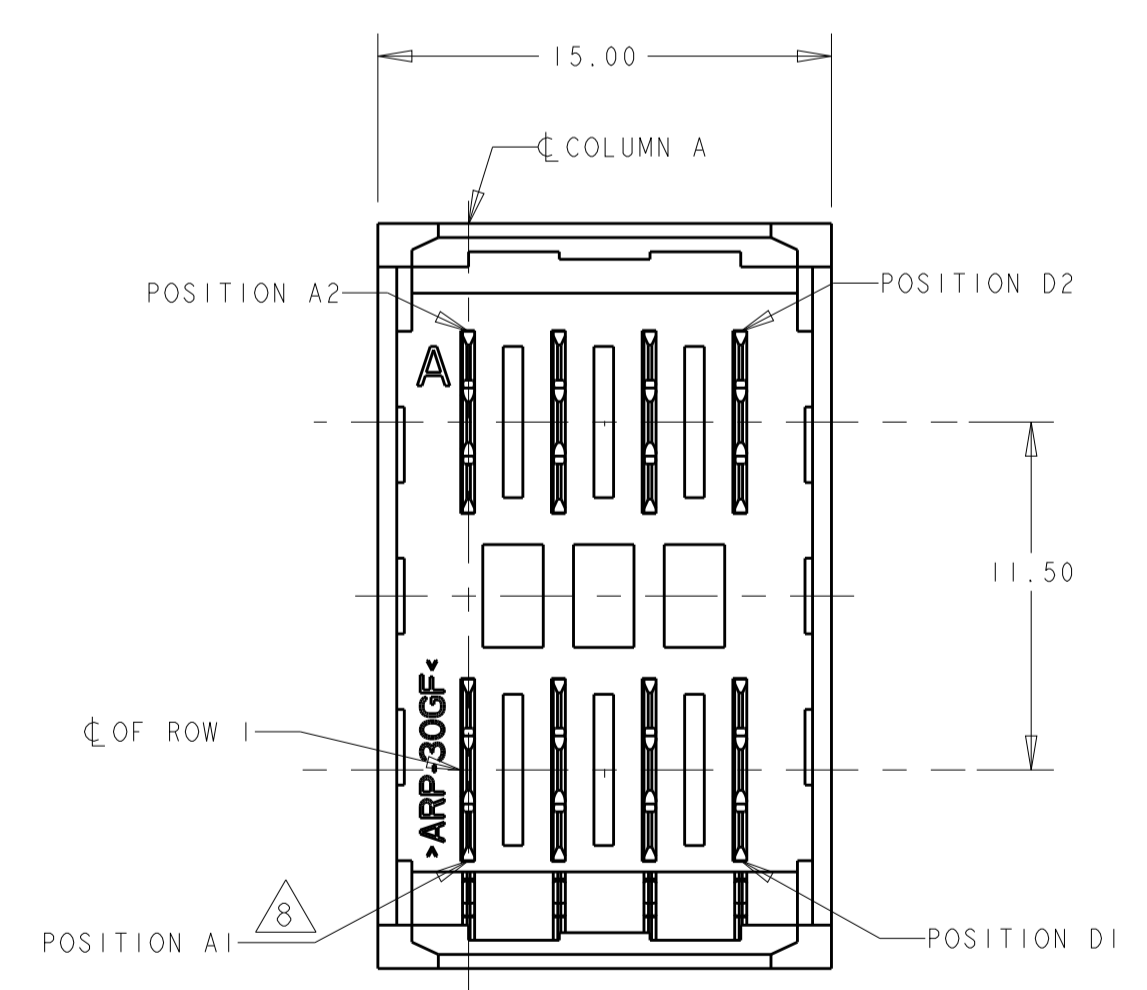
MATING RECEPTACLE PCB LAYOUT 3



1926224-3  
SCALE 5:2



RECOMMENDED PCB LAYOUT 6



D1	A2,B2,C2,D2	A1,B1,C1	1892712-3
A1,B1,C1,D1	A2,B2,C2,D2	-	1892712-2
-	ALL	-	1892712-1
POSITIONS LOADED WITH LONG 10.92 REF CONTACTS	POSITIONS LOADED WITH MIDDLE 9.32 REF CONTACTS	POSITIONS LOADED WITH SHORT 7.70 REF CONTACTS	PART NO

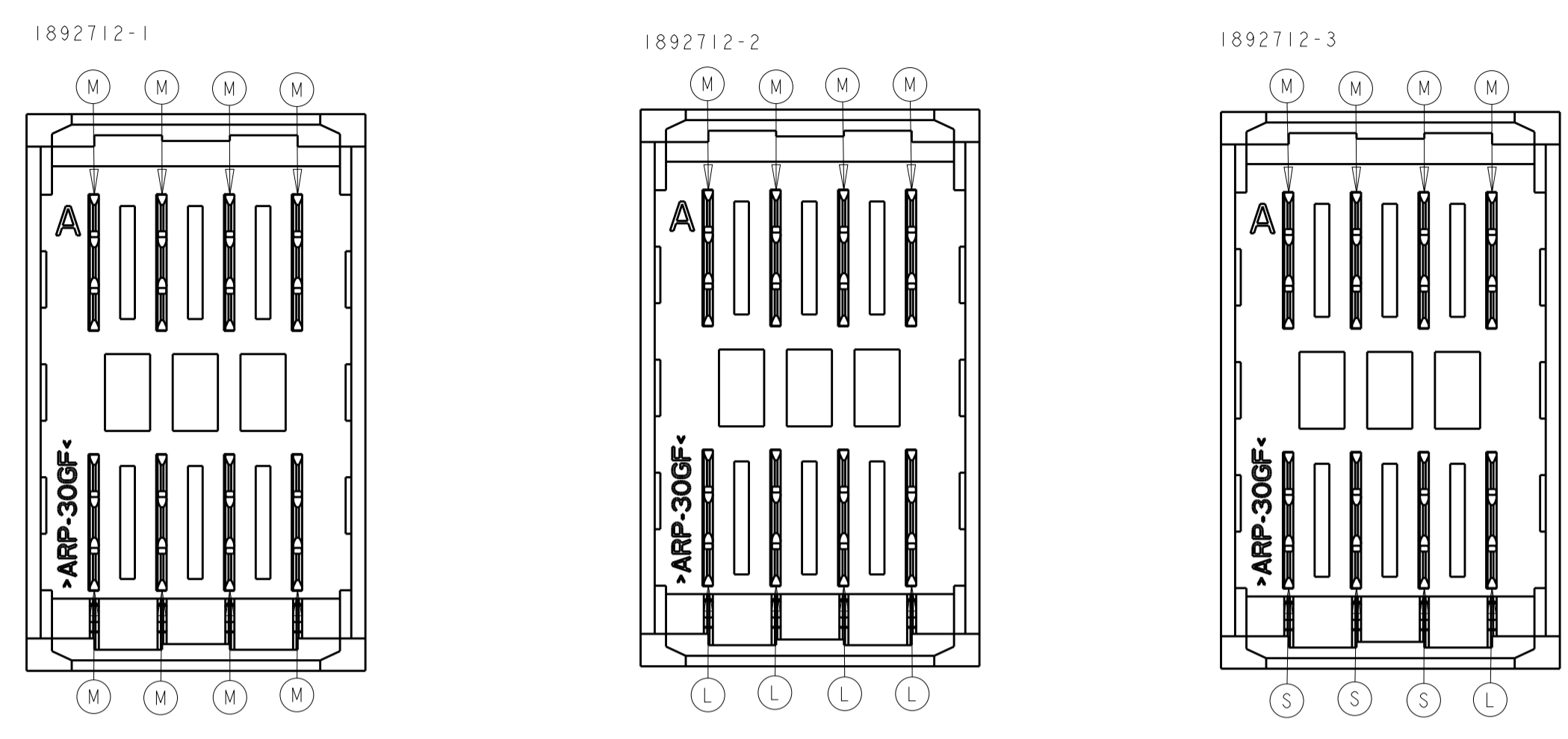
DIMENSIONS:		TOLERANCES UNLESS OTHERWISE SPECIFIED:		MATERIAL		FINISH	
mm	0 PLC	±					
	1 PLC	±.25					
	2 PLC	±.25					
	3 PLC	±					
	4 PLC	±					
	ANGLES	±1°					

OWN	ORANDO LL	07JUN2012			
CHK	SUNY ZHAO	07JUN2012			
APVD	SUNY ZHAO	07JUN2012			
PRODUCT SPEC	ASSEMBLY, RIGHT ANGLE HEADER MINIPAK HDE 2X4 POSITION				
APPLICATION SPEC	108-2289				
SIZE	CAGE CODE	DRAWING NO	RESTRICTED TO		
A	100779	C=1892712			
Customer Drawing			SCALE	SHEET	REV
			4:1	1 OF 2	A

THIS DRAWING IS UNPUBLISHED. RELEASED FOR PUBLICATION 20  
 COPYRIGHT 20 BY TYCO ELECTRONICS CORPORATION. ALL RIGHTS RESERVED.

LOC		DIST		REVISIONS			
GP	00	P	LTN	DESCRIPTION	DATE	DMN	APVD
		-		SEE SHEET 1	-	-	-

SEQUENCE LOADING PATTERNS VIEWED INTO MATING FACE OF CONNECTOR



<small>THIS DRAWING IS UNPUBLISHED. RELEASED FOR PUBLICATION 20. IT IS THE PROPERTY OF TYCO ELECTRONICS CORPORATION. IT IS TO BE USED ONLY FOR THE PURPOSES AND IN THE MANNER AND UNDER THE CONDITIONS SPECIFIED IN THE DRAWING. CONTACT TYCO ELECTRONICS CORPORATION FOR THE LATEST REVISION.</small>		DWN: <b>ORANDO LL</b> 07JUN2012 CHK: <b>SUNY ZHAO</b> 07JUN2012 APVD: <b>SUNY ZHAO</b> 07JUN2012	Tyco Electronics Harrisburg, PA 17105-3608
DIMENSIONS: mm	TOLERANCES UNLESS OTHERWISE SPECIFIED: 0 PLC ±.25 1 PLC ±.25 2 PLC ±.25 3 PLC ±.25 4 PLC ±.25 ANGLES ±1°	NAME: <b>ASSEMBLY, RIGHT ANGLE HEADER MINIPAK HDE 2X4 POSITION</b>	SIZE: <b>A</b> CAGE CODE: <b>100779</b> DRAWING NO: <b>1892712</b>
MATERIAL:	FINISH:	WEIGHT:	RESTRICTED TO:
Customer Drawing		SCALE: 4:1	SHEET 2 OF 2 REV A