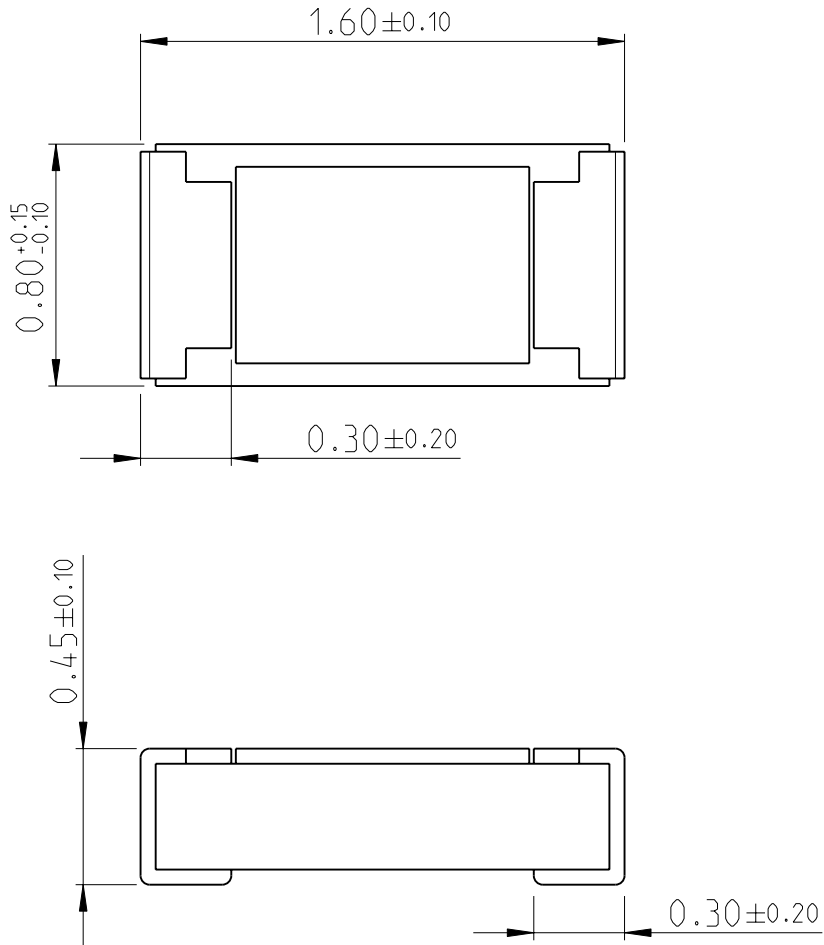
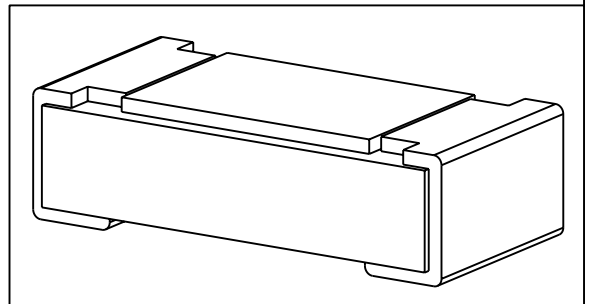


LOC	DIST	REVISIONS					
-	-	P	LTR	DESCRIPTION	DATE	DWN	APVD
		BA		NEW DRAWING	27JUN2012	KR	TN



FOR FURTHER INFORMATION SEE PRODUCT SPECIFICATION FOR CRGH SERIES

RoHS Compliant



20



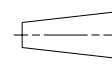
RELEASED FOR PUBLICATION

ALL RIGHTS RESERVED.

BY -

© COPYRIGHT 20

THIS DRAWING IS UNPUBLISHED.

DIMENSIONS:		DWN	27JUN2012	MATERIAL	FINISH	
mm		RAGHAVENDRA K		-	-	
TOLERANCES UNLESS OTHERWISE SPECIFIED:		CHK	27JUN2012	 TE Connectivity		
0 PLC ±		ALLAN P				
1 PLC ±0.5		APVD	27JUN2012	NAME SMD POWER RESISTORS - TYPE CRGH0603 SERIES		
2 PLC ±0.13		TONY N				
3 PLC ±0.013		PRODUCT SPEC	-	SIZE	CAGE CODE	DRAWING NO
4 PLC ±0.0001		APPLICATION SPEC	-	A 4	00779	©-1879494
ANGLES ±		WEIGHT	-	RESTRICTED TO		-
 		CUSTOMER DRAWING		SCALE	40:1	SHEET 1 OF 1
						REV BA