

4

3

2

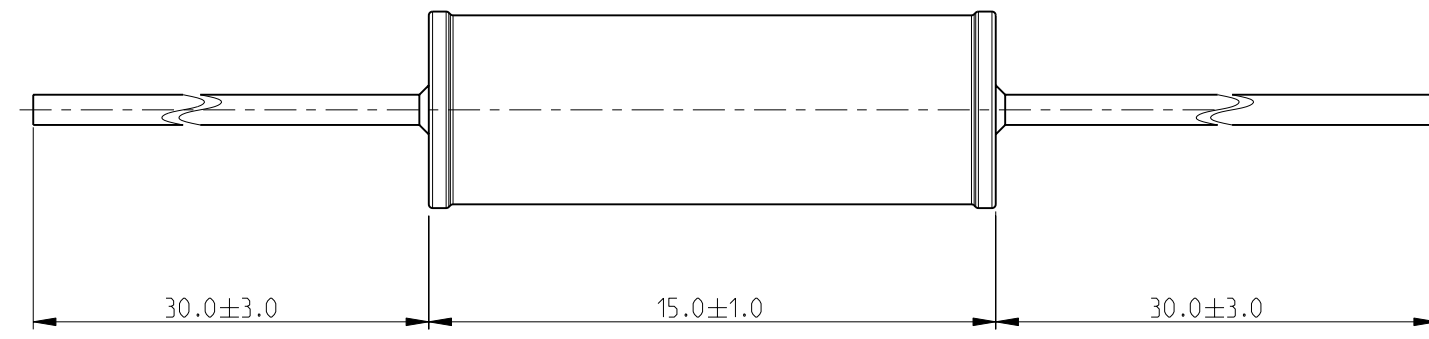
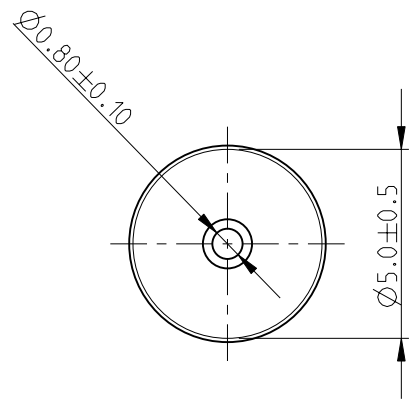
1

THIS DRAWING IS UNPUBLISHED. RELEASED FOR PUBLICATION 2008

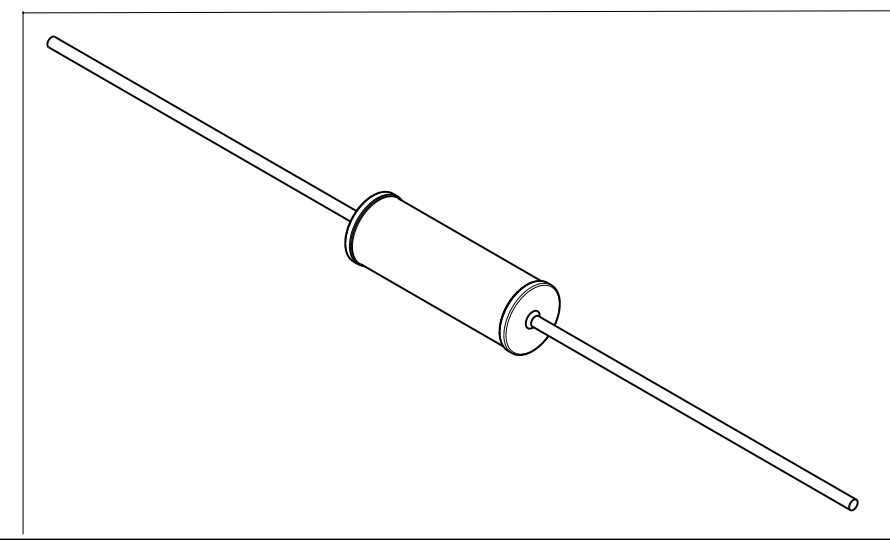
© COPYRIGHT 2008 BY TYCO ELECTRONICS CORPORATION. ALL RIGHTS RESERVED.

| LOC | DIST | REVISIONS | | | |
|-----|------|-------------|-------------|-----------|---------|
| P | LTR | DESCRIPTION | DATE | DWN | APVD |
| E | B | BA | NEW RELEASE | 21OCT2010 | PT St.P |

FOR FURTHER INFORMATION SEE DATA SHEET FOR POWER RESISTOR TYPE RR SERIES



RoHS Compliant



| | | | | | |
|---|--|---|--|--|--|
| <small>THIS DRAWING IS A CONTROLLED DOCUMENT FOR TYCO ELECTRONICS CORPORATION IT IS SUBJECT TO CHANGE AND THE CONTROLLING ENGINEERING ORGANIZATION SHOULD BE CONTACTED FOR THE LATEST REVISION.</small> | | DWN 21OCT2010 PARUSURAM | | Tyco Electronics Corporation Dorcan, Swindon, SN3 5HH | |
| DIMENSIONS: mm | | TOLERANCES UNLESS OTHERWISE SPECIFIED: 0 PLC ± 0.2 1 PLC ± 0.1 2 PLC $\pm -$ 3 PLC $\pm -$ 4 PLC $\pm -$ ANGLES $\pm 5^\circ$ | | NAME POWER RESISTOR SERIES RR03 | |
| MATERIAL - | | FINISH - | | SIZE A3 CAGE CODE 00779 DRAWING NO C-1879355 RESTRICTED TO - | |
| CUSTOMER DRAWING | | | | SCALE 5:1 SHEET 1 OF 1 REV BA | |