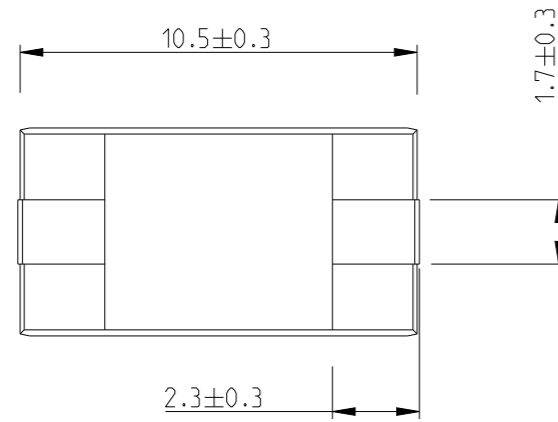
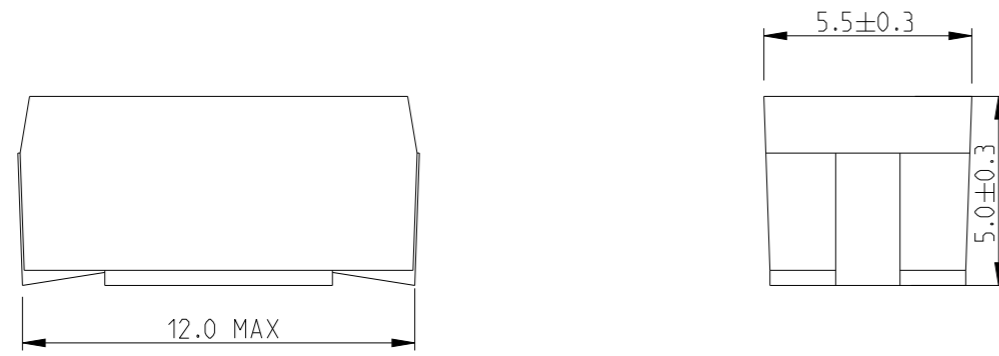


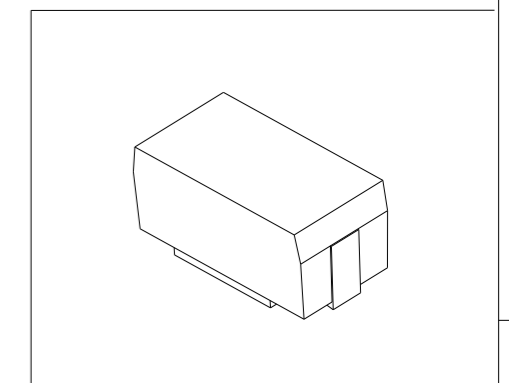
REVISIONS

P	LTR	DESCRIPTION	DATE	DWN	APVD
	BA	INITIAL RELEASE	17APR2012	KR	St.P
	BA1	SCHEDULE ADDED TO DRAWING	02NOV2023	DM	AP
	BA2	UPDATE TO LAND PATTERN DIMENSION	07NOV2023	DM	AP

FOR FURTHER INFORMATION SEE DATA SHEET FOR SERIES SM - SMD MOULDED POWER RESISTOR



RECOMMENDED LAND PATTERN



THIS DRAWING IS A CONTROLLED DOCUMENT.		DWN RAGHAVENDRA.K 17APR2012		
DIMENSIONS: mm		CHK ALLAN.P 17APR2012		
TOLERANCES UNLESS OTHERWISE SPECIFIED:		APVD STEPHEN.P 17APR2012	NAME SMD MOULDED POWER RESISTORS TYPE SMW3 SERIES	
0 PLC ±0.2	1 PLC ±0.1	PRODUCT SPEC	SIZE A3	CAGE CODE 00779
2 PLC ±	3 PLC ±	APPLICATION SPEC	DRAWING NO C-1879021	RESTRICTED TO -
4 PLC ±	ANGLES ±5°	WEIGHT -	SCALE 5:1	SHEET 1 OF 2
MATERIAL -	FINISH -	CUSTOMER DRAWING	REV BA2	

REVISIONS

P	LTR	DESCRIPTION	DATE	DWN	APVD
	-	SEE SHEET 1	-	-	-

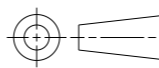
SCHEDULE

TCPN	CATALOGUE NUMBER	PART DESCRIPTION	PART STATUS
1879021-1	SMW 3R10JT	SMW 3 R10 5%	PRODUCTION
1879021-3	SMW 3R12JT	SMW 3 R12 5%	PRODUCTION
1879021-5	SMW 3R15JT	SMW 3 R15 5%	PRODUCTION
1879021-7	SMW 3R18JT	SMW 3 R18 5%	PRODUCTION
1879021-9	SMW 3R22JT	SMW 3 R22 5%	PRODUCTION
1-1879021-1	SMW 3R27JT	SMW 3 R27 5%	PRODUCTION
1-1879021-3	SMW 3R33JT	SMW 3 R33 5%	PRODUCTION
1-1879021-5	SMW 3R39JT	SMW 3 R39 5%	PRODUCTION
1-1879021-7	SMW 3R47JT	SMW 3 R47 5%	PRODUCTION
1-1879021-9	SMW 3R56JT	SMW 3 R56 5%	PRODUCTION
2-1879021-1	SMW 3R68JT	SMW 3 R68 5%	PRODUCTION
2-1879021-3	SMW 3R82JT	SMW 3 R82 5%	PRODUCTION
2-1879021-5	SMW 31R0JT	SMW 3 1R0 5%	PRODUCTION
2-1879021-7	SMW 31R2JT	SMW 3 1R2 5%	PRODUCTION
2-1879021-9	SMW 31R5JT	SMW 3 1R5 5%	PRODUCTION
3-1879021-1	SMW 31R8JT	SMW 3 1R8 5%	PRODUCTION
3-1879021-3	SMW 32R2JT	SMW 3 2R2 5%	PRODUCTION
3-1879021-5	SMW 32R7JT	SMW 3 2R7 5%	PRODUCTION
3-1879021-7	SMW 33R3JT	SMW 3 3R3 5%	PRODUCTION
3-1879021-9	SMW 33R9JT	SMW 3 3R9 5%	PRODUCTION
4-1879021-1	SMW 34R7JT	SMW 3 4R7 5%	PRODUCTION
4-1879021-2	SMW 34R7FT	SMW 3 4R7 1%	DISCONTINUED
4-1879021-3	SMW 35R6JT	SMW 3 5R6 5%	PRODUCTION
4-1879021-5	SMW 36R8JT	SMW 3 6R8 5%	PRODUCTION
4-1879021-7	SMW 38R2JT	SMW 3 8R2 5%	PRODUCTION
4-1879021-9	SMW 310RJT	SMW 3 10R 5%	PRODUCTION
5-1879021-1	SMW 312RJT	SMW 3 12R 5%	PRODUCTION

SCHEDULE

TCPN	CATALOGUE NUMBER	PART DESCRIPTION	PART STATUS
5-1879021-3	SMW 315RJT	SMW 3 15R 5%	PRODUCTION
5-1879021-5	SMW 318RJT	SMW 3 18R 5%	PRODUCTION
5-1879021-7	SMW 322RJT	SMW 3 22R 5%	PRODUCTION
5-1879021-9	SMW 327RJT	SMW 3 27R 5%	PRODUCTION
6-1879021-1	SMW 333RJT	SMW 3 33R 5%	PRODUCTION
6-1879021-3	SMW 339RJT	SMW 3 39R 5%	PRODUCTION
6-1879021-5	SMW 347RJT	SMW 3 47R 5%	PRODUCTION
6-1879021-7	SMW 356RJT	SMW 3 56R 5%	PRODUCTION
6-1879021-9	SMW 368RJT	SMW 3 68R 5%	PRODUCTION
7-1879021-1	SMW 382RJT	SMW 3 82R 5%	PRODUCTION
7-1879021-3	SMW 3100RJT	SMW 3 100R 5%	PRODUCTION
7-1879021-5	SMW 3120RJT	SMW 3 120R 5%	PRODUCTION
7-1879021-7	SMW 3150RJT	SMW 3 150R 5%	PRODUCTION
7-1879021-9	SMW 3180RJT	SMW 3 180R 5%	PRODUCTION
8-1879021-1	SMW 3220RJT	SMW 3 220R 5%	PRODUCTION
8-1879021-3	SMW 3270RJT	SMW 3 270R 5%	PRODUCTION
8-1879021-4	SMW 3270RFT	SMW 3 270R 1%	PRODUCTION
8-1879021-5	SMW 3R33FT	SMW 3 R33 1%	PRODUCTION
8-1879021-6	SMW 3300RFT	SMW 3 300R 1%	PRODUCTION
8-1879021-7	SMW 3300RJT	SMW 3 300R 5%	PRODUCTION
8-1879021-8	SMW 362RFT	SMW 3 62R 1%	PRODUCTION
8-1879021-9	SMW 310RFT	SMW 3 10R 1%	PRODUCTION
8-1879027-4	SMW 37R5JT	SMW 3 7R5 5%	PRODUCTION
9-1879021-0	SMW 391RJT	SMW 3 91R 5%	PRODUCTION
9-1879021-1	SMW 3R56FT	SMW 3 R56 1%	PRODUCTION
9-1879021-2	SMW 3R15FT	SMW 3 R15 1%	PRODUCTION
9-1879021-3	SMW 3R20FT	SMW 3 R20 1%	PRODUCTION

THIS DRAWING IS A CONTROLLED DOCUMENT.

DIMENSIONS:	TOLERANCES UNLESS OTHERWISE SPECIFIED:
mm	0 PLC ±0.2
	1 PLC ±0.1
	2 PLC ±
	3 PLC ±
	4 PLC ±
	ANGLES ±5°
MATERIAL	FINISH
-	-
-	-

DWN	17APR2012
CHK	RAGHAVENDRA.K
ALLAN.P	17APR2012
APVD	STEPHEN.P
17APR2012	
PRODUCT SPEC	-
APPLICATION SPEC	-
WEIGHT	-
CUSTOMER DRAWING	



NAME SMD MOULDED POWER RESISTORS TYPE SMW 3 SERIES

SIZE	CAGE CODE	DRAWING NO	RESTRICTED TO
A3	00779	©-1879021	-
SCALE	SHEET	OF	REV
5:1	2	2	BA2