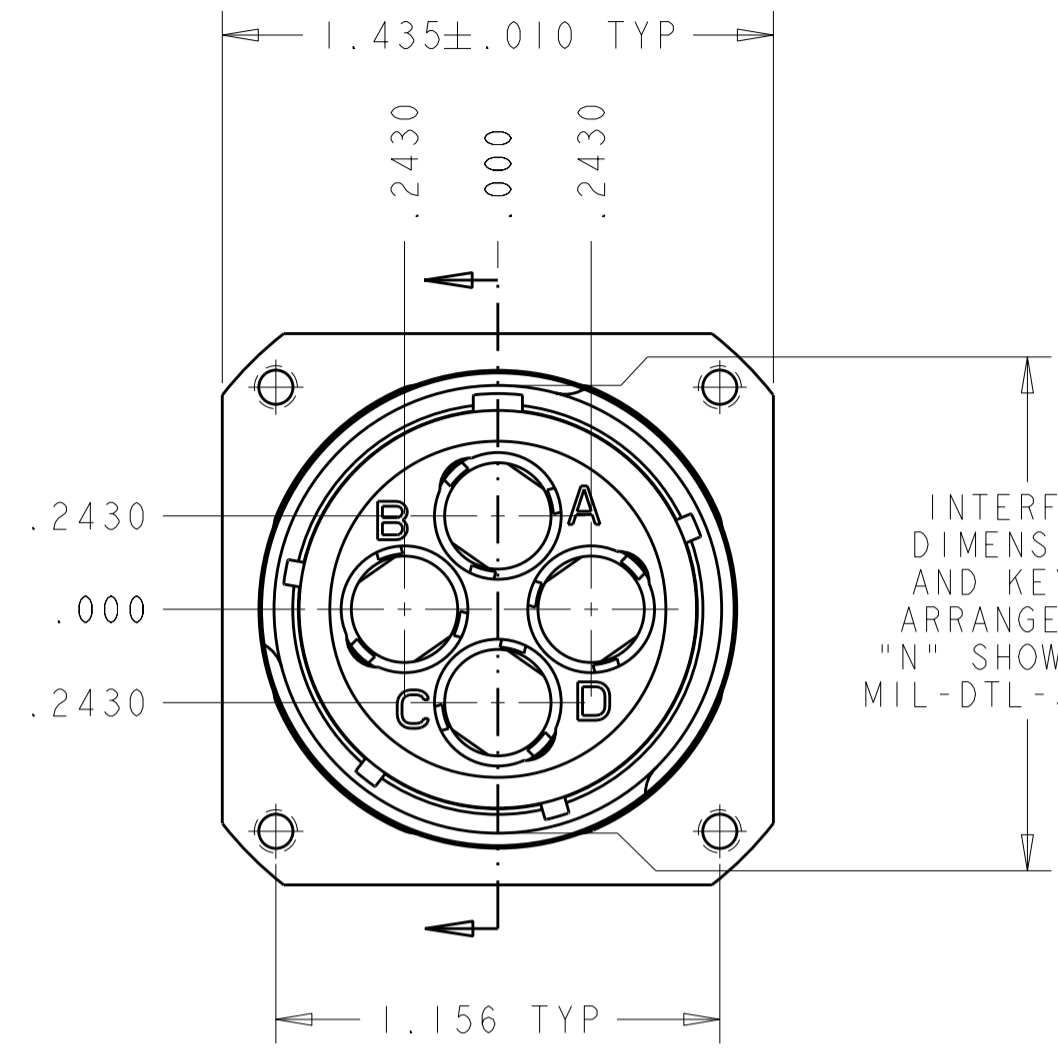


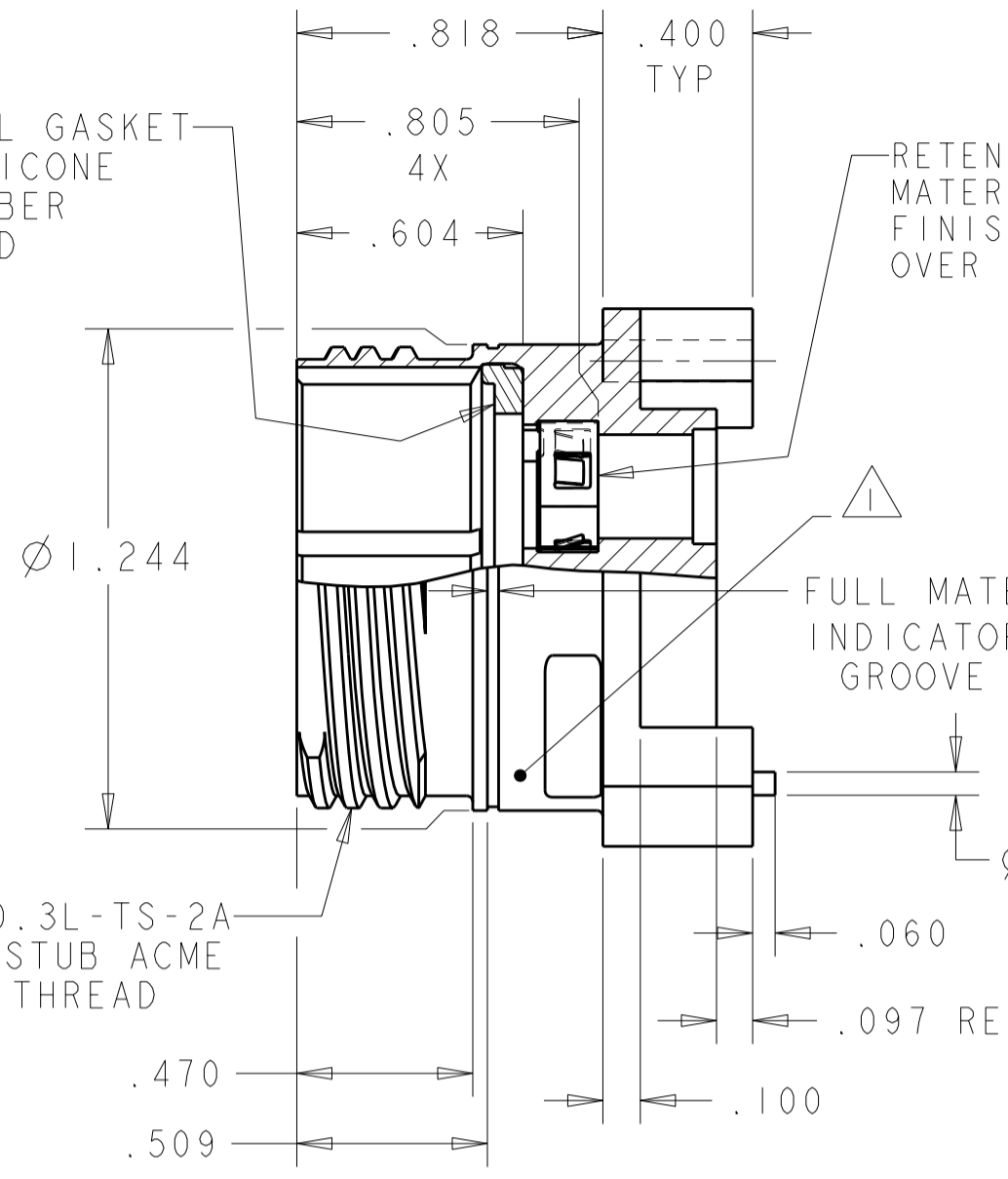
THIS DRAWING IS UNPUBLISHED. RELEASED FOR PUBLICATION 20  
 © COPYRIGHT 20 BY TYCO ELECTRONICS CORPORATION. ALL RIGHTS RESERVED.

LOC	DIST	REVISIONS			
P	LTR	DESCRIPTION	DATE	DWN	APVD
-	-	A	RELEASED	8-23-10	CT DM



INTERFACE DIMENSIONS AND KEYWAY ARRANGEMENT "N" SHOWN PER MIL-DTL-38999K

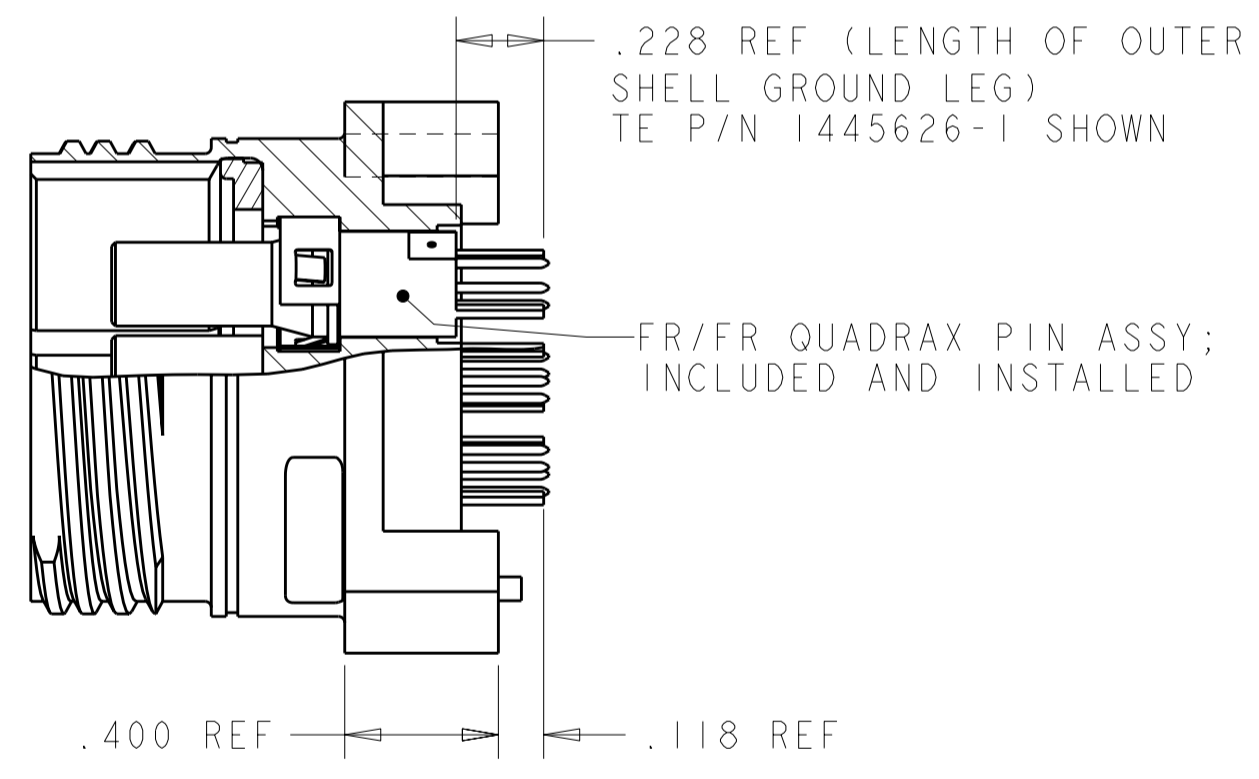
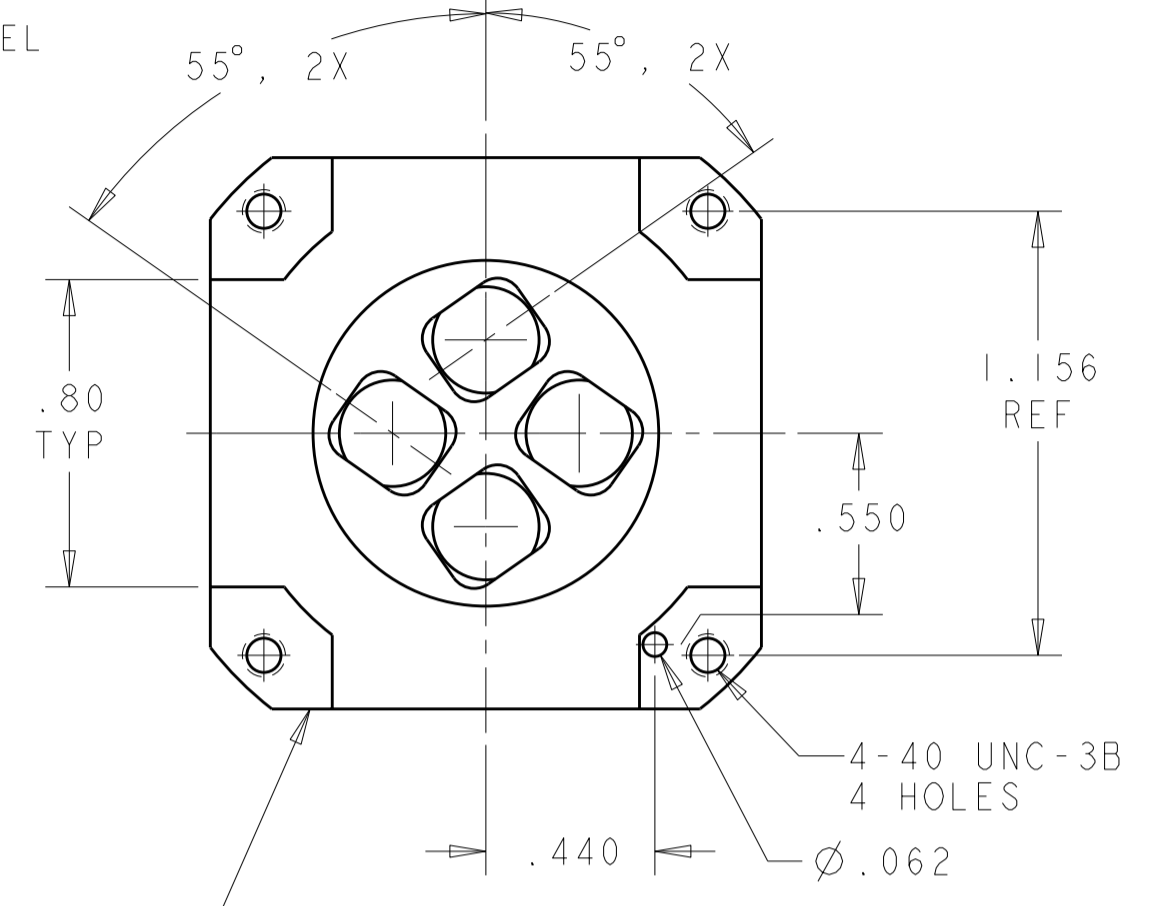
PERIPHERAL GASKET  
 MATL: SILICONE RUBBER  
 COLOR: RED



RETENTION CLIP, QTY=4  
 MATERIAL: STAINLESS STEEL  
 FINISH: PLATED SILVER OVER NICKEL UNDERPLATE

1.2500 0.1P-0.3L-TS-2A  
 MODIFIED 60° STUB ACME  
 TRIPLE START THREAD

RECEPTACLE SHELL  
 MATERIAL: ALUMINUM ALLOY  
 FINISH: SEE TABLE



FR/FR QUADRAX PIN ASSY;  
 INCLUDED AND INSTALLED

CONTACTS INCLUDED WITH ALL ASSEMBLIES

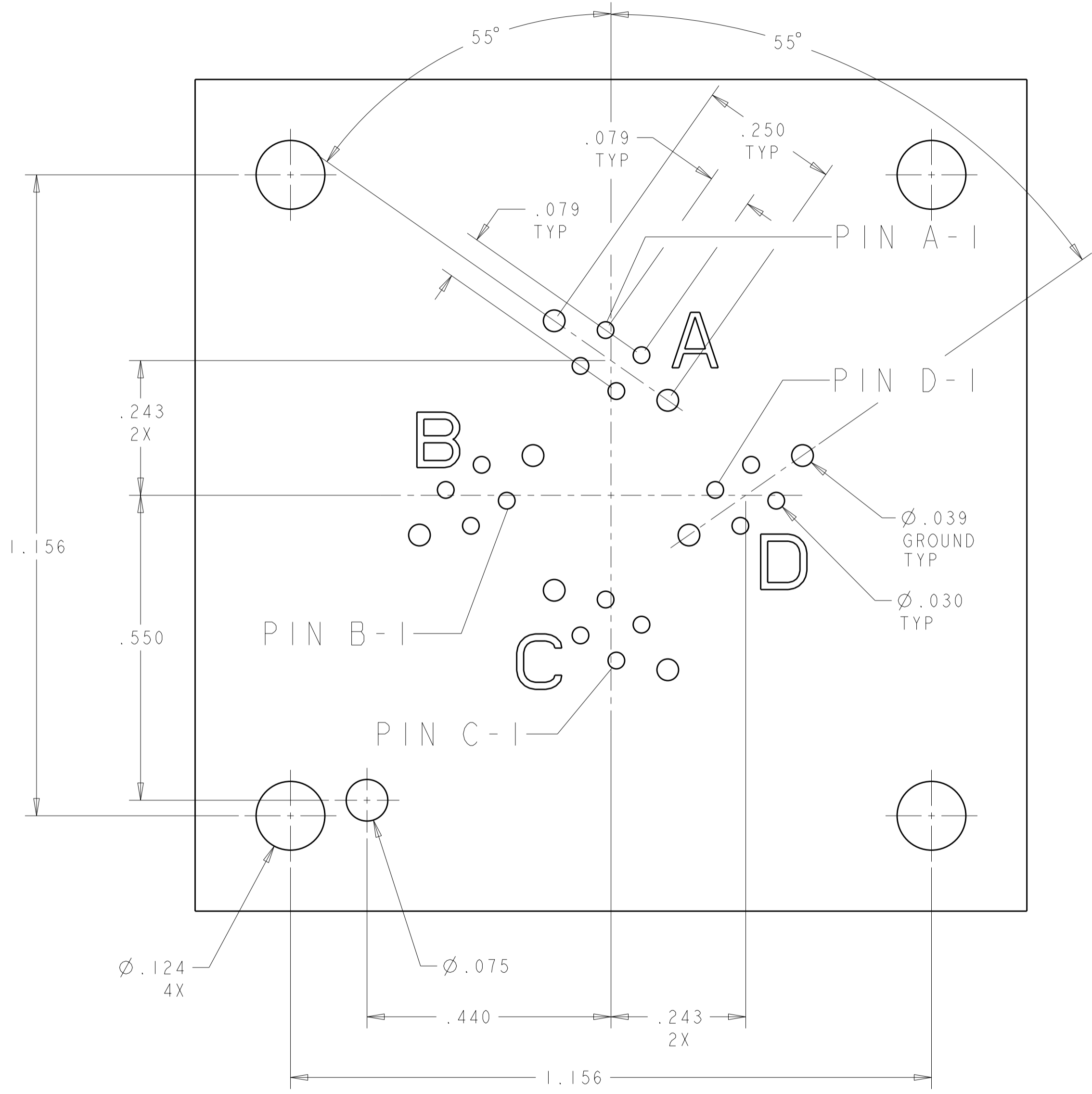
1445626-1	2	B	1877732-6
1445626-1	2	A	1877732-5
1445626-1	2	N	1877732-4
1445626-1	3	B	1877732-3
1445626-1	3	A	1877732-2
1445626-1	3	N	1877732-1
CONTACT PART NO. QTY = 4	SHELL FINISH	SHELL KEYING ARRANGEMENT	PART NUMBER

- 1 PART IS MARKED WITH Tyco ELECTRONICS CAGE CODE (00779), TE PART NO., Tyco ELECTRONICS LOGO OR TE AND DATE CODE.
- 2 SHELL FINISH: OLIVE DRAB CHROMATE OVER CADMIUM.
- 3 SHELL FINISH: ELECTROLESS NICKEL.

<small>THIS DRAWING IS A CONTROLLED DOCUMENT FOR TYCO ELECTRONICS CORPORATION. IT IS SUBJECT TO CHANGE AND THE CONTROLLING ENGINEERING ORGANIZATION SHOULD BE CONTACTED FOR THE LATEST REVISION.</small>		DWN C.C. THOMAS 8-23-10 CHK D. MILLER 8-23-10 APVD D. MILLER 8-23-10	Tyco Electronics Harrisburg, PA 17105-3608
DIMENSIONS: INCHES 	TOLERANCES UNLESS OTHERWISE SPECIFIED: 0 PLC ±. 1 PLC ±.01 2 PLC ±.01 3 PLC ±.005 4 PLC ±.002 ANGLES ±2°30" FINISH SEE CALLOUTS	PRODUCT SPEC - APPLICATION SPEC - WEIGHT -	NAME ASSY, RECEPTACLE, SIZE 19, 404, M38999 STYLE, SERIES III, PCB MOUNT WITH CONTACTS SIZE A2 CAGE CODE 00779 DRAWING NO. 1877732 RESTRICTED TO -
MATERIAL SEE CALLOUTS		CUSTOMER DRAWING	
		SCALE 2:1	SHEET 1 OF 2 REV A

THIS DRAWING IS UNPUBLISHED. RELEASED FOR PUBLICATION 20  
 © COPYRIGHT 20 BY TYCO ELECTRONICS CORPORATION. ALL RIGHTS RESERVED.

LOC		DIST		REVISIONS			
P	LTR	DESCRIPTION	DATE	DWN	APVD		
-	-	SEE SHEET 1	-	-	-		



PIN NUMBER	SIGNAL ALLOCATION
1	Tx+
2	Rx+
3	Tx-
4	Rx-

PIN LOCATIONS GO CLOCKWISE FROM POSITION 1

THIS DRAWING IS A CONTROLLED DOCUMENT FOR TYCO ELECTRONICS CORPORATION. IT IS SUBJECT TO CHANGE AND THE CONTROLLING ENGINEERING ORGANIZATION SHOULD BE CONTACTED FOR THE LATEST REVISION.		DWN: C.C. THOMAS 8-23-10	Tyco Electronics Harrisburg, PA 17105-3608	
DIMENSIONS: IN		CHK: D. MILLER 8-23-10	NAME: ASSY, RECEPTACLE, SIZE 19, 4Q4, M38999 STYLE, SERIES III, PCB MOUNT WITH CONTACTS	
TOLERANCES UNLESS OTHERWISE SPECIFIED: 0 PLC ±. 1 PLC ±.1 2 PLC ±.01 3 PLC ±.005 4 PLC ±.0020 ANGLES ±2°30"		APVD: D. MILLER 8-23-10	SIZE: A2 CAGE CODE: 00779 DRAWING NO: 1877732	
MATERIAL: SEE CALLOUTS	FINISH: SEE CALLOUTS	PRODUCT SPEC: -	RESTRICTED TO: -	
CUSTOMER DRAWING		APPLICATION SPEC: -	SCALE: 2:1 SHEET 2 OF 2 REV A	