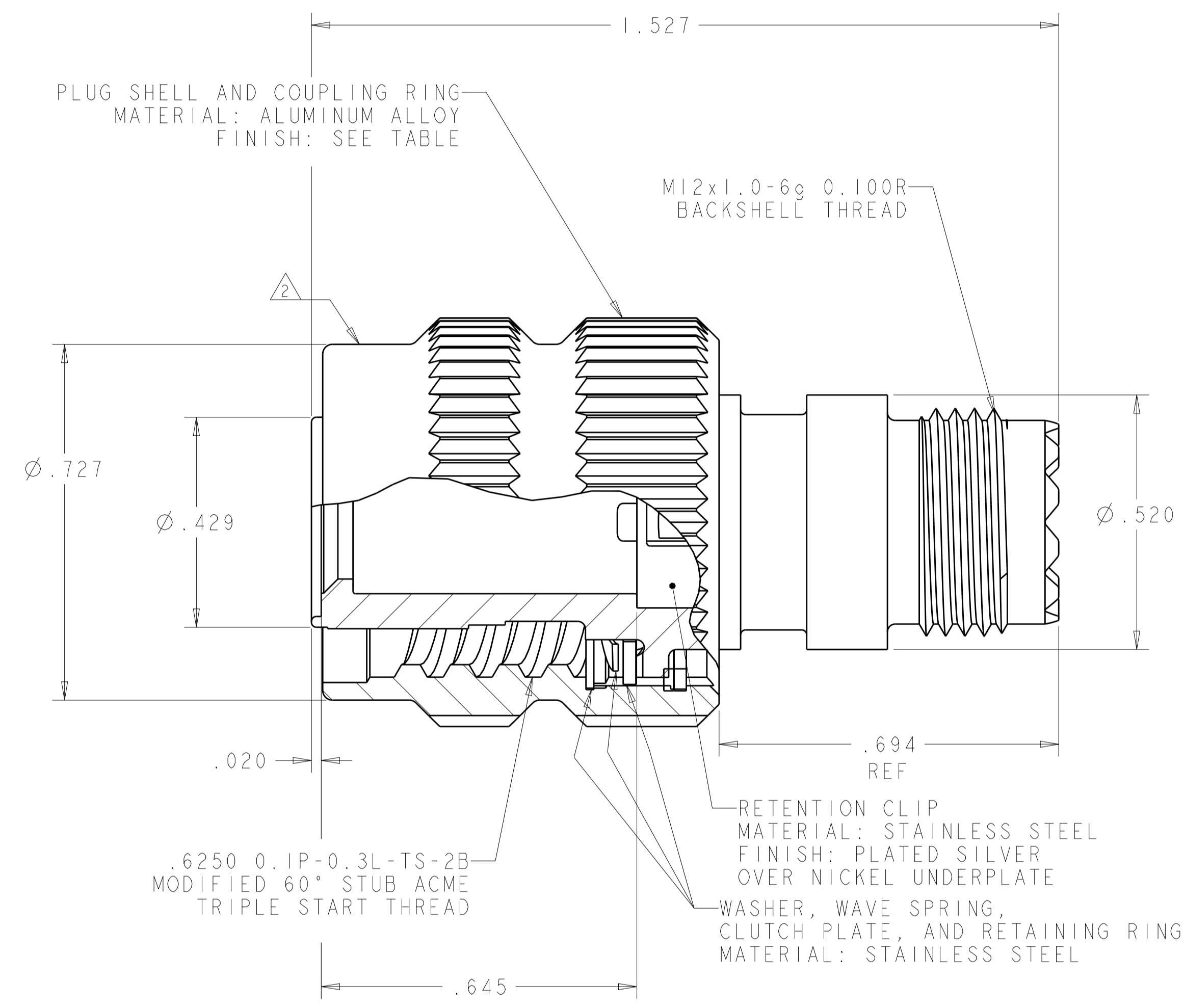
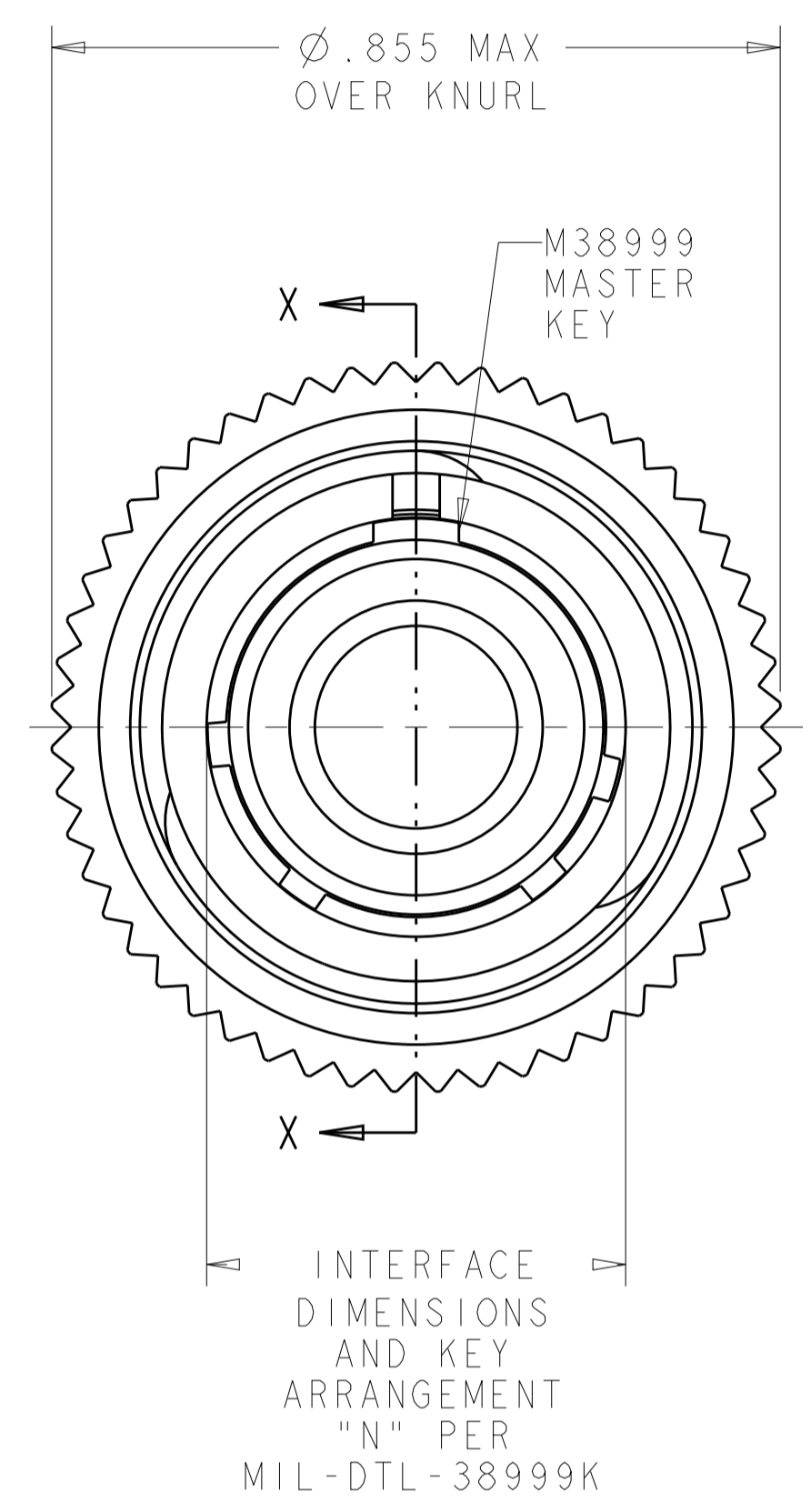
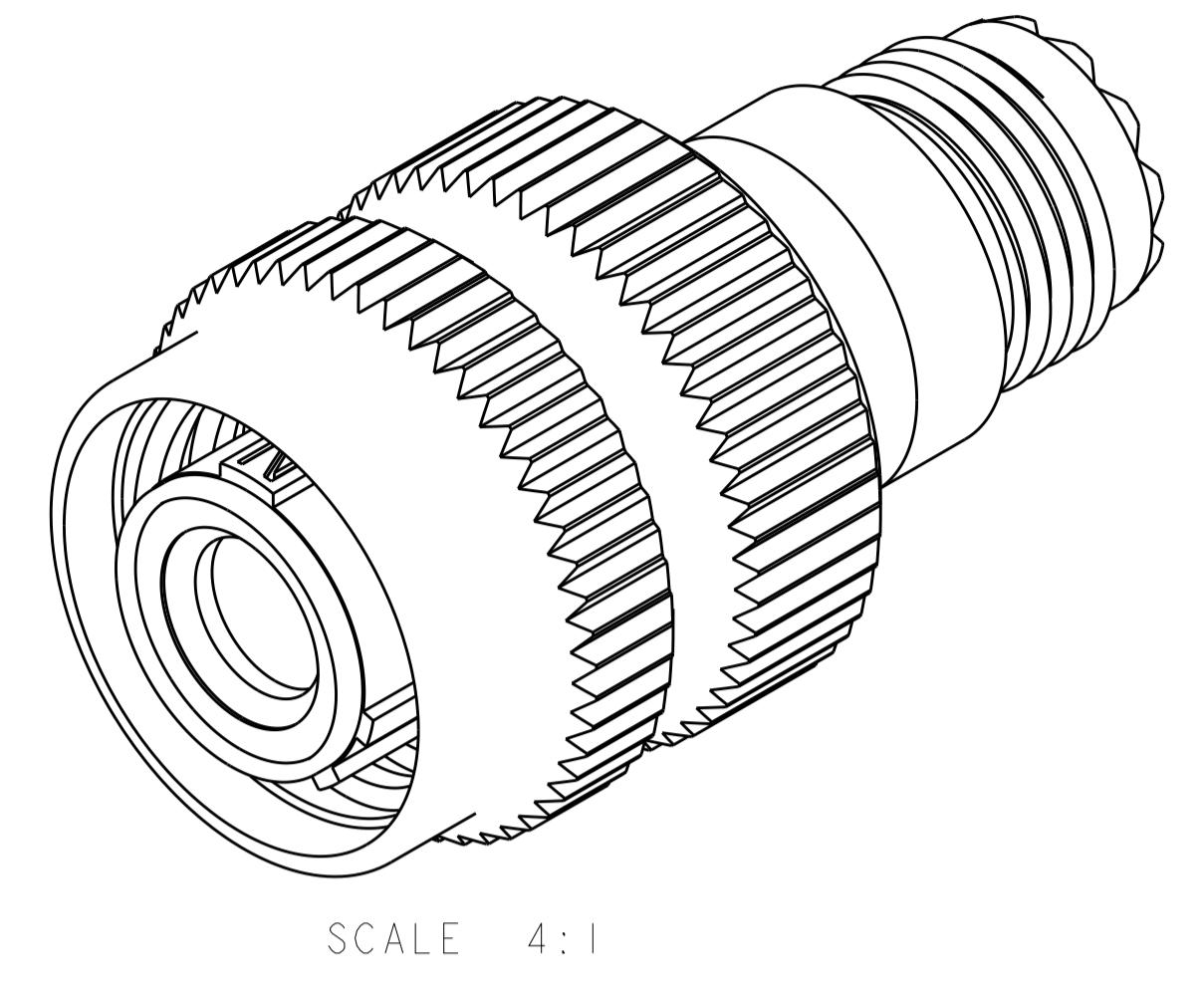


LOC		DIST		REVISIONS			
P	LTN	DESCRIPTION	DATE	DWN	APVD		
D		REV PER ECO 13-012300	7-31-13	CT	DM		



SECTION X-X



- THIS CONNECTOR ACCEPTS TE QUADRAX SOCKET ASSEMBLY: PART NUMBER 1445693-3.
- PART IS MARKED WITH TE PART NO. (SEE TABLE), Tyco Electronics OR TE, TE CAGE CODE, AND DATE CODE.
- OPERATING TEMPERATURE RANGE: -65°C TO +125°C (-85°F TO +257°F)
- THE CONNECTOR QUALIFICATION WAS COMPLETED PER TE SPEC. 108-2199. THE QUADRAX CONTACTS ARE QUALIFIED PER TE SPEC. 108-2131. THE REFERENCE TEST REPORTS ARE TE 501-660 FOR THE CONNECTOR AND 501-574 FOR THE CONTACTS WHICH ARE SAME AS ARINC 600-13, DRAFT 2 OF SUPPLIMENT 14 (AIR TRANSPORT AVIONICS EQUIPMENT INTERFACES).

OLIVE DRAB	SOLD SEPARATELY	B	1-1877384-2
OLIVE DRAB	SOLD SEPARATELY	A	1-1877384-1
OLIVE DRAB	SOLD SEPARATELY	N	1-1877384-0
ELECTROLESS NICKEL	SOLD SEPARATELY	B	1877384-9
ELECTROLESS NICKEL	SOLD SEPARATELY	A	1877384-8
ELECTROLESS NICKEL	SOLD SEPARATELY	N	1877384-7
OLIVE DRAB	PROVIDED UN-ASSEMBLED	B	1877384-6
OLIVE DRAB	PROVIDED UN-ASSEMBLED	A	1877384-5
OLIVE DRAB	PROVIDED UN-ASSEMBLED	N	1877384-4
ELECTROLESS NICKEL	PROVIDED UN-ASSEMBLED	B	1877384-3
ELECTROLESS NICKEL	PROVIDED UN-ASSEMBLED	A	1877384-2
ELECTROLESS NICKEL	PROVIDED UN-ASSEMBLED	N	1877384-1
FINISH	QUADRAX CONTACT 1445693-3 QTY=1	SHELL KEYING ARRANGEMENT	PART NUMBER

THIS DRAWING IS A CONTROLLED DOCUMENT. DWN: R FLAIG 10OCT2005
 CHK: L OH 10OCT2005
 APVD: L OH 10OCT2005

STE TE Connectivity

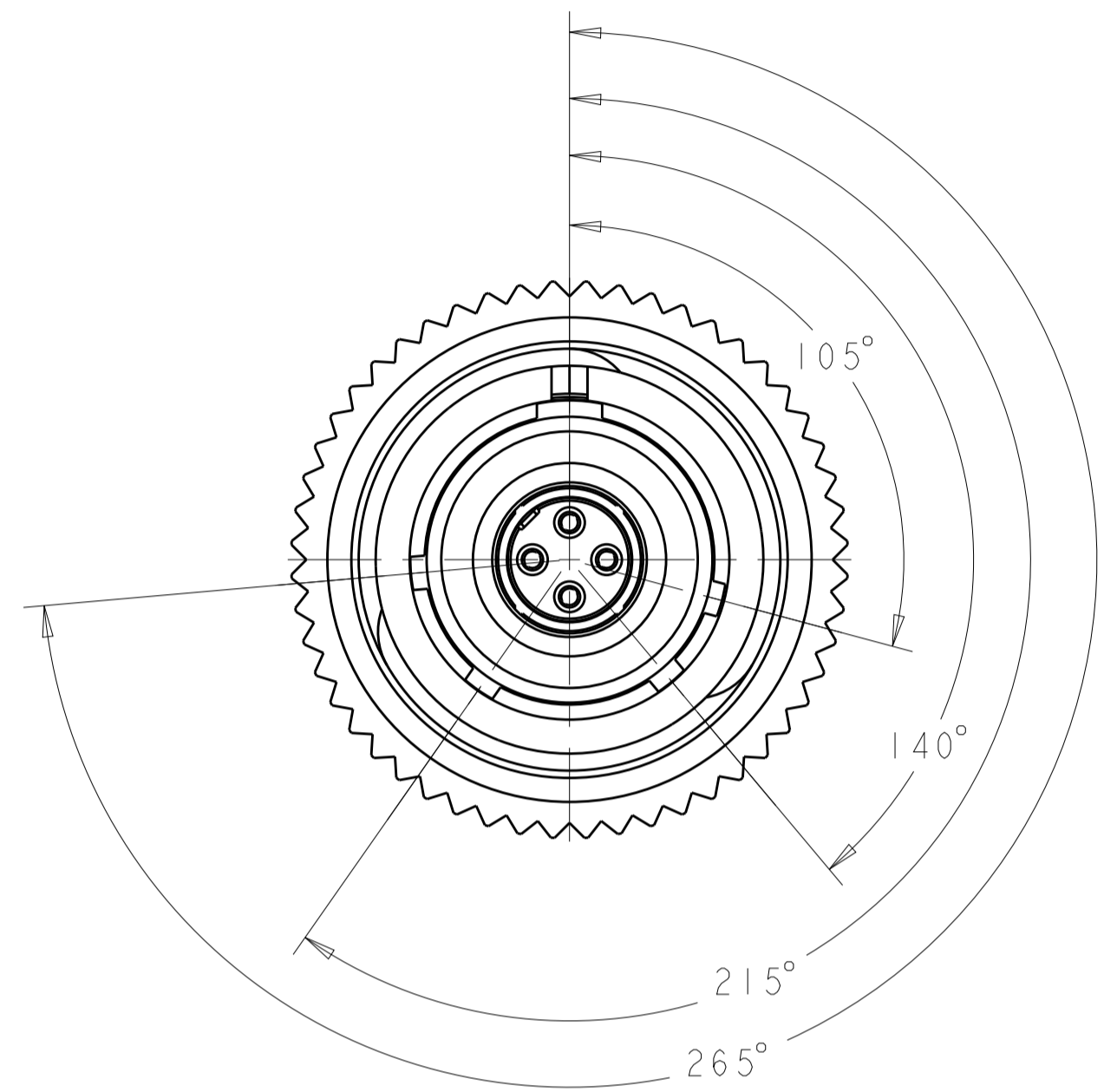
NAME: ASSY, PLUG, SIZE 9, 1Q1 M38999 STYLE, SERIES 111

SIZE: A1 CAGE CODE: 100779 DRAWING NO: 1877384

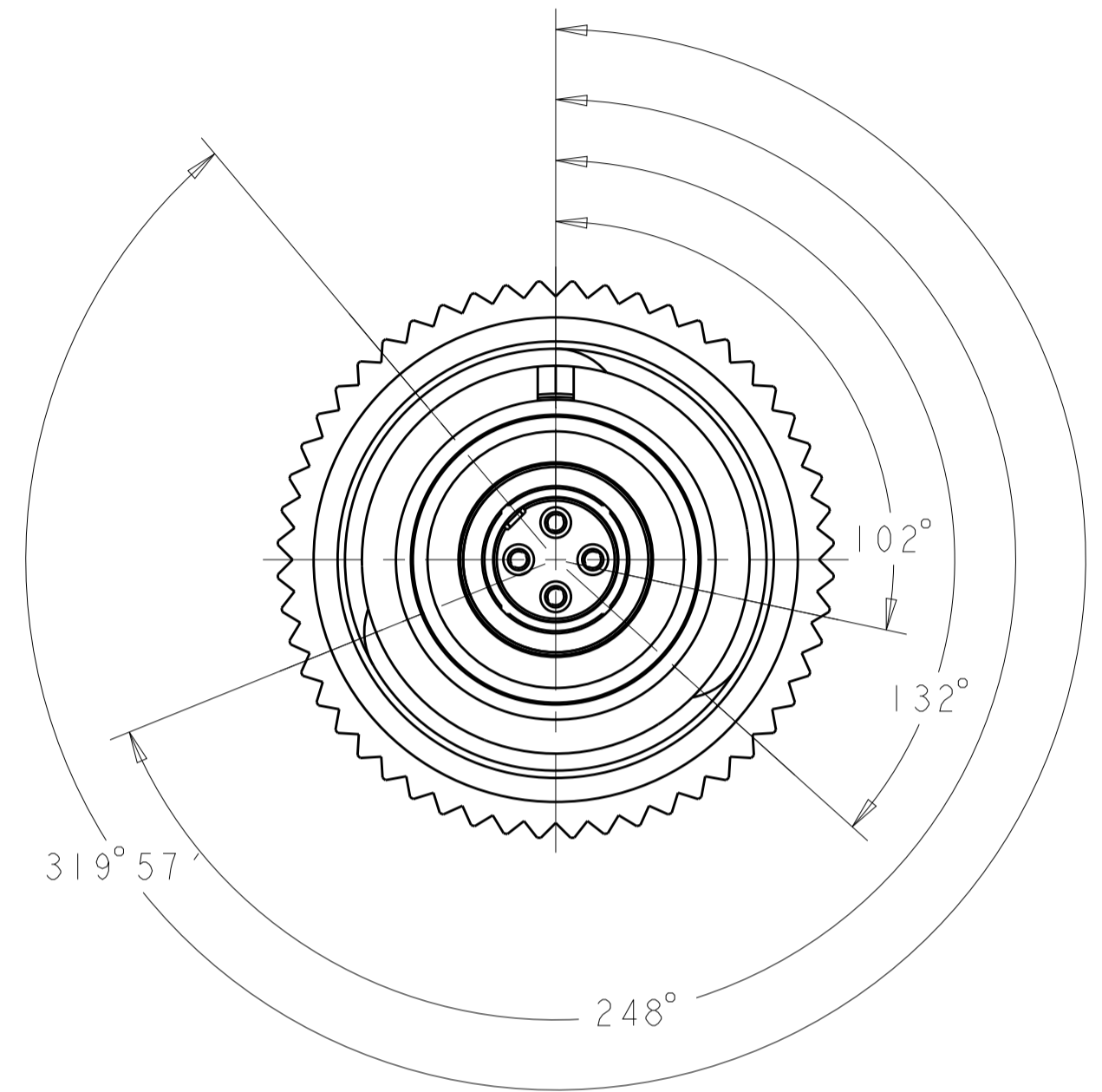
RESTRICTED TO: -

CUSTOMER DRAWING SCALE: 5:1 SHEET: 1 OF 2 REV: D

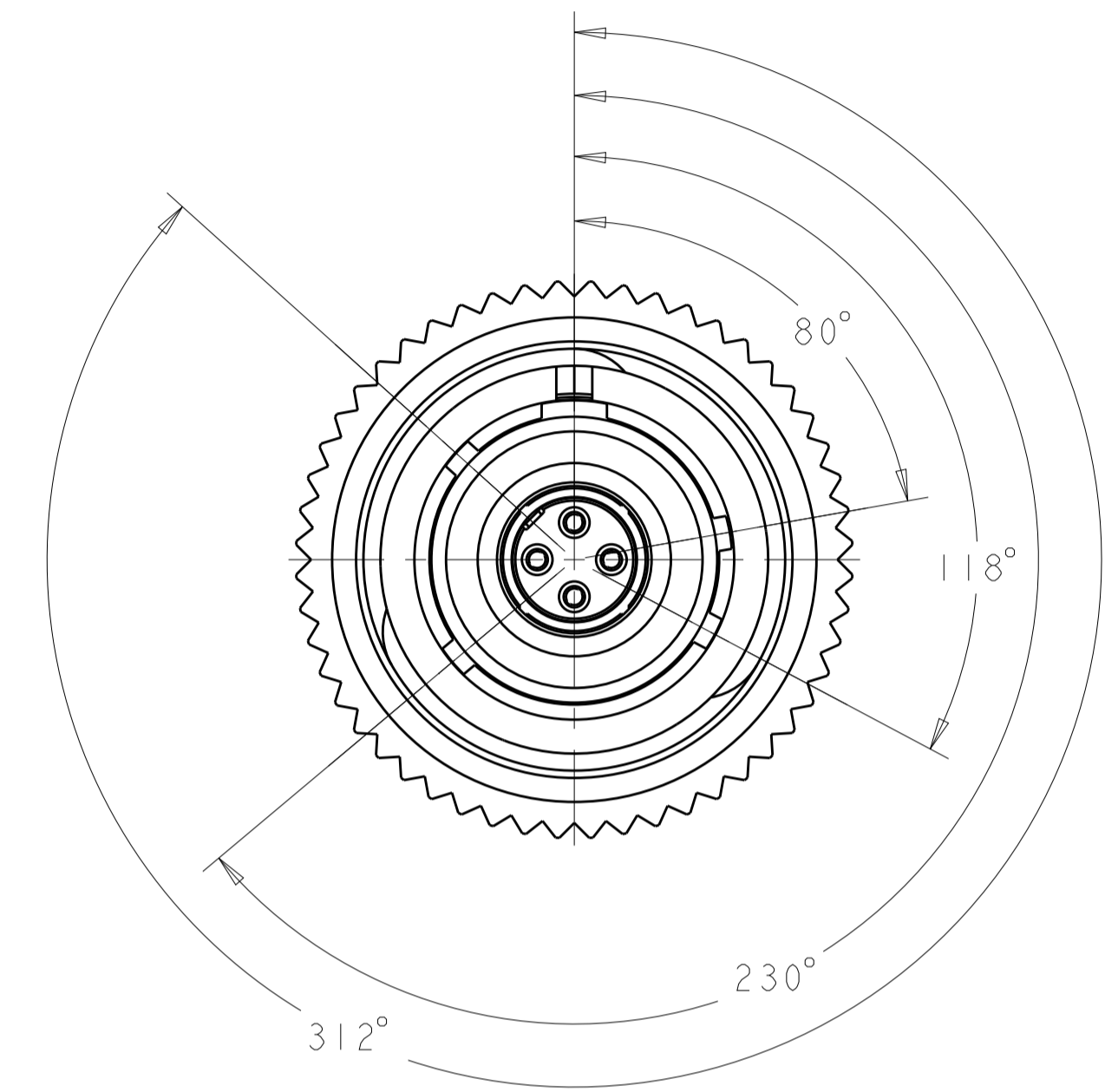
LOC		DIST		REVISIONS			
				DESCRIPTION	DATE	DWN	APVD
-	-	-	-	SEE SHEET 1	-	-	-



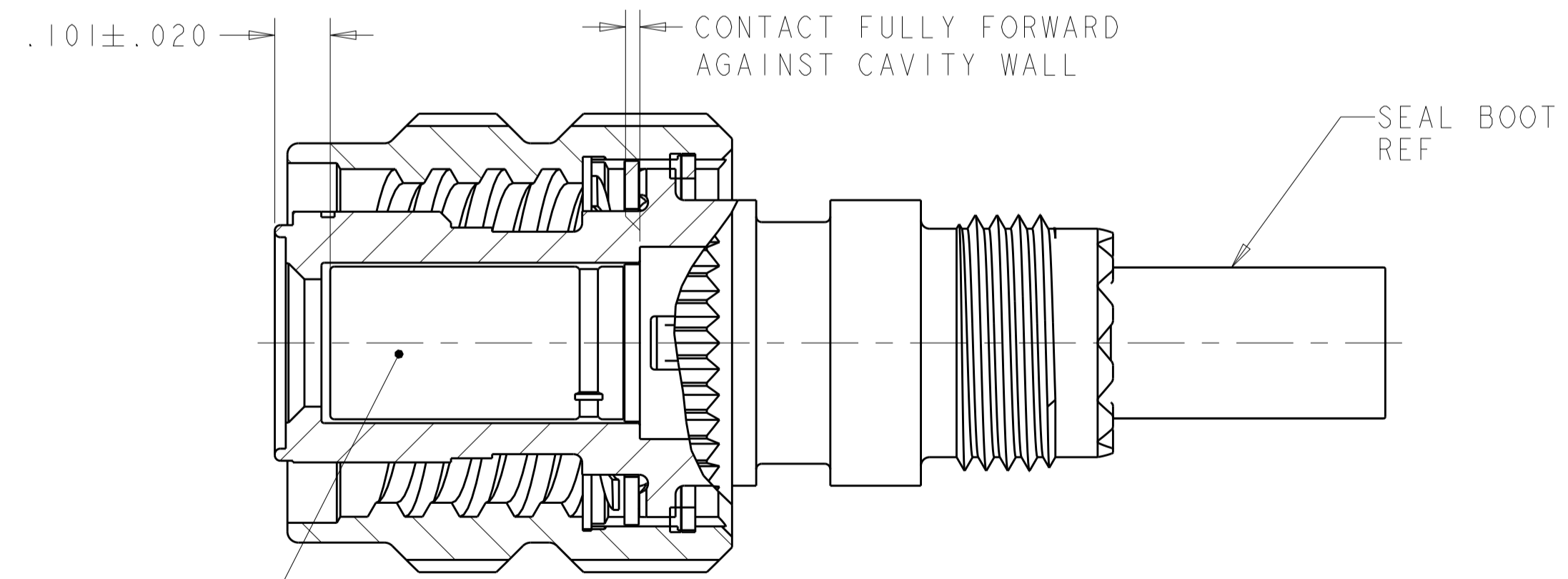
"N" KEY POLARIZATION



"A" KEY POLARIZATION



"B" KEY POLARIZATION



QUADRAX SOCKET ASSY, 1445693-3
 SHOWN FOR REF ONLY.

SECTION X-X

THIS DRAWING IS A CONTROLLED DOCUMENT.		DWN R FLAIG	10OCT2005	TE Connectivity NAME ASSY, PLUG, SIZE 9, 101 M38999 STYLE, SERIES 111
DIMENSIONS:		CHK L OH	10OCT2005	
INCHES		APVD L OH	10OCT2005	
0 PLC ±.1 1 PLC ±.1 2 PLC ±.01 3 PLC ±.005 4 PLC ±.0020 ANGLES ±.1°		PRODUCT SPEC		
MATERIAL	FINISH	WEIGHT	SIZE	RESTRICTED TO
-	-	-	A100779C=1877384	-
CUSTOMER DRAWING			SCALE	SHEET
			4:1	2 OF 2
				REV D