

THIS DRAWING IS UNPUBLISHED. RELEASED FOR PUBLICATION
 © COPYRIGHT BY TYCO ELECTRONICS CORPORATION. ALL RIGHTS RESERVED.

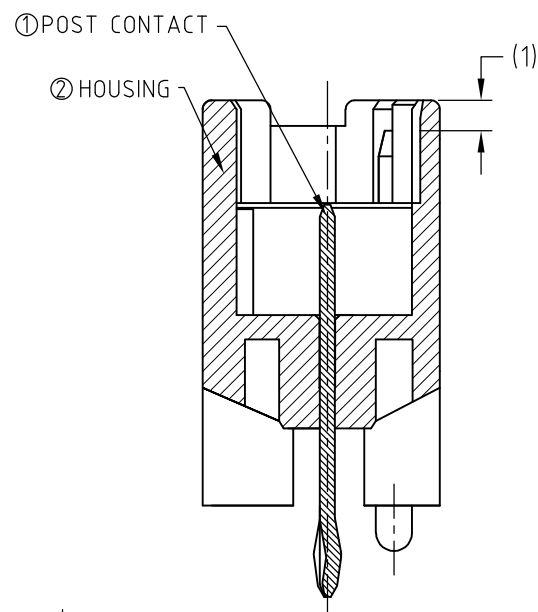
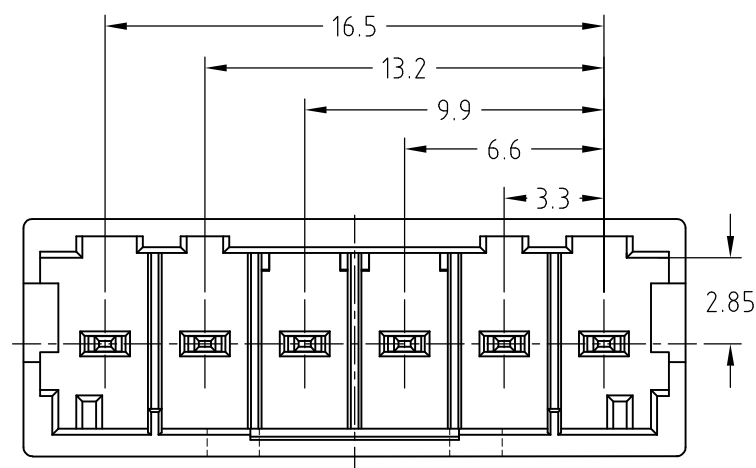
LOC	DIST	REVISIONS					
J	—	P	LTR	DESCRIPTION	DATE	DWN	APVD
		C		REVISED PER ECR-10-007257	09APR10	HMR	TM

TABLE

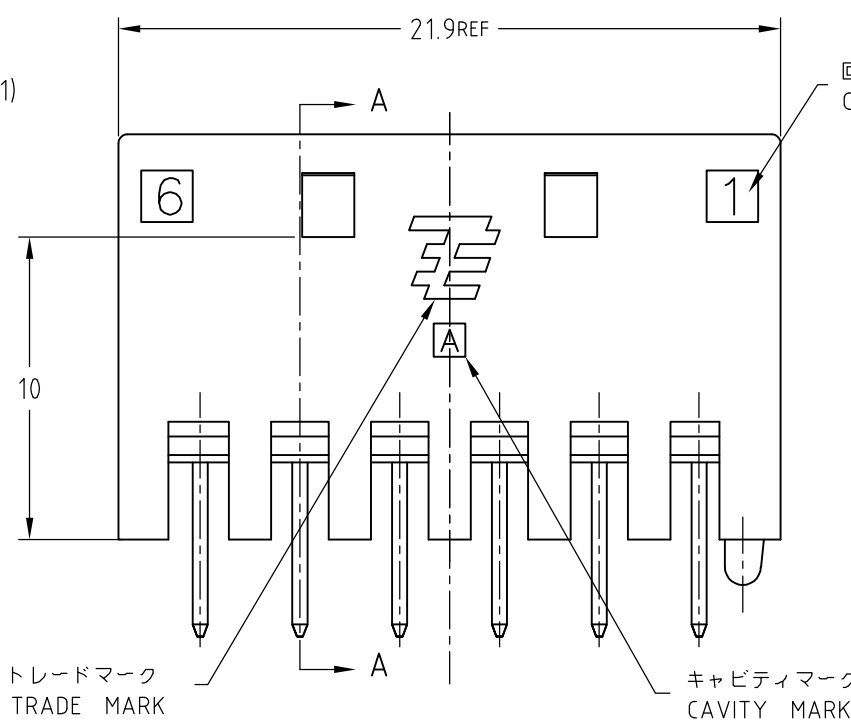
②	ヘッダーハウジング (HEADER HOUSING)	6/6 ナイロンガラス強化UL94V-0 (6/6NYLON GRASS FILLED) UL94V-0
①	ポストコンタクト (POST CONTACT)	錫めっき仕上げ 銅合金 (COPPER ALLOY TIN PLATED)
NO.	名称 (NAME)	材料 (MATERIAL)

注
 △ 取付穴寸法
 2. 適応基板厚: 1.6t
 △ かん合相手製品型番:
 プラグハウジング: SEE TABLE

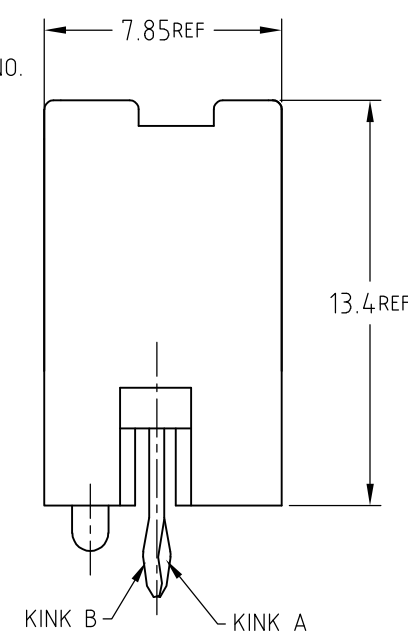
NOTES
 △ RECOMMENDED P.C.B LAYOUT
 2. APPLICABLE P.C.B THICKNESS:1.6
 △ MATING CONN.P/N:
 PLUG HOUSING:SEE TABLE



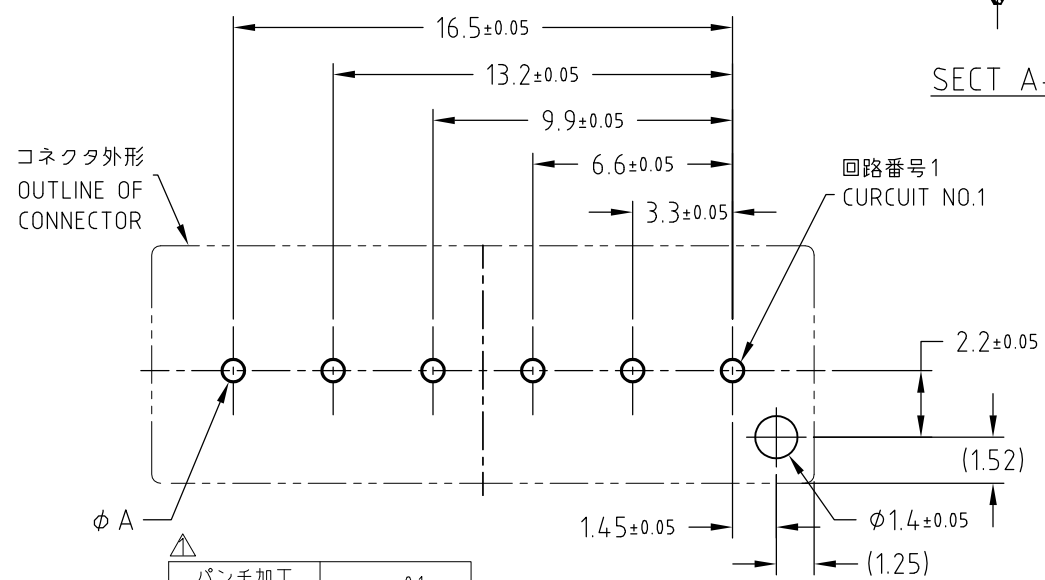
SECT A-A



回路番号
CURCUIT NO.



PCB LAYOUT ON RECOMMENDATION



コネクタ外形
OUTLINE OF
CONNECTOR

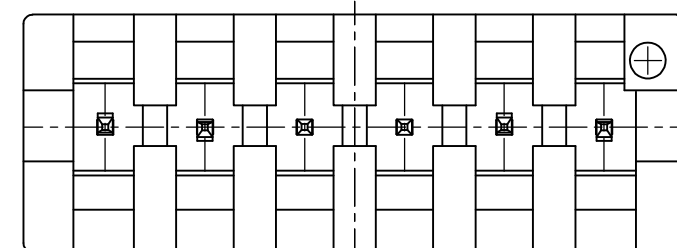
回路番号1
CURCUIT NO.1

パンチ加工 (PUNCHED HOLE)	0.7 ^{+0.1} ₋₀
ドリル加工 (DRILLED HOLE)	0.8±0.05
	A寸法 DIM.A

KINK FORM

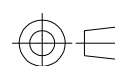
×CHARACTOR IS STRAIGHT PIN.

KINK FORM	A	B	S	S	A	B
CURCUIT NO.	6	5	4	3	2	1



THIS DRAWING IS A CONTROLLED DOCUMENT.

DIMENSIONS:
単位: 耗
mm



TOLERANCES UNLESS
OTHERWISE SPECIFIED:
一般公差

0 PLC	± 0.3
1 PLC	± 0.3
2 PLC	± 0.3
3 PLC	±
4 PLC	±
ANGLES	±
FINISH 仕上	-

MATERIAL
材料
SEE TABLE

DWN T.HATANO 23FEB2006
 CHK N.YAMASAKI 23FEB2006
 APVD N.YAMASAKI 23FEB2006
 PRODUCT SPEC
 製品規格
 108-78231
 APPLICATION SPEC
 取付適用規格
 WEIGHT -

* -1871567-1	WITHOUT	NATURAL	5-1871568-1
* -1871567-1	WITH	NATURAL	1871568-1
MATING CONN.P/N △	KINK	COLOR	PART NUMBER
Tyco Electronics		Tyco Electronics AMP K.K. Kawasaki, Japan	
NAME 名称 GRACE INERTIA CONNECTOR 3.3 HEADER ASSEMBLY 6POS 1ROW			
SIZE	CAGE CODE	DRAWING NO 番号	RESTRICTED TO
A3	00779	C-1871568	-
CUSTOMER DRAWING		SCALE 尺度 4:1	SHEET 1 OF 1
		REV C	