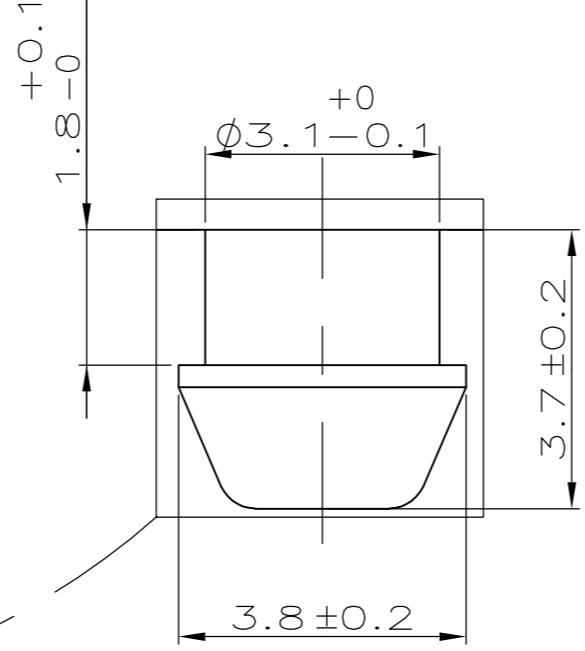
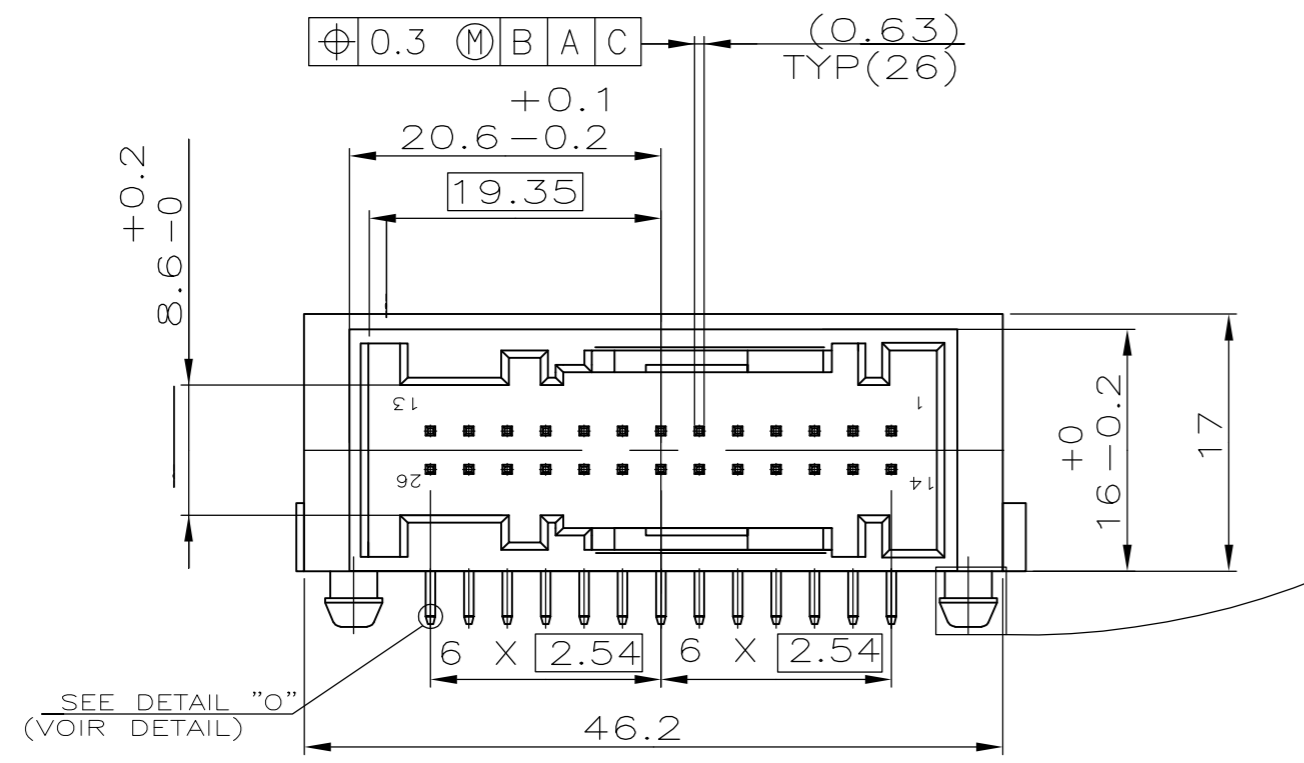
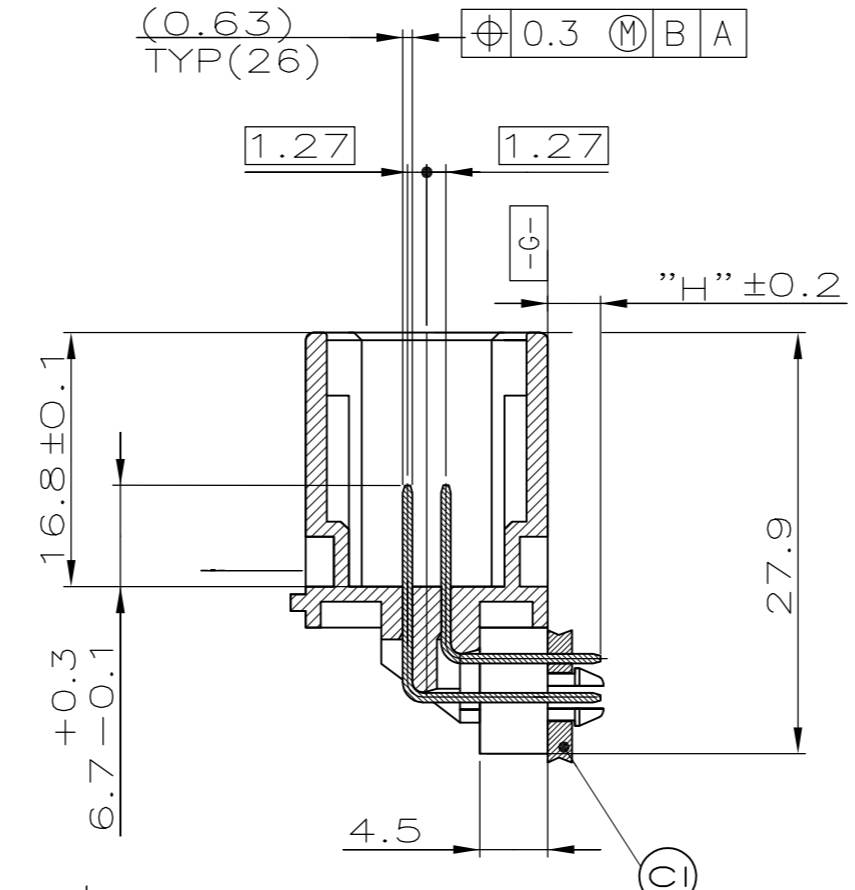
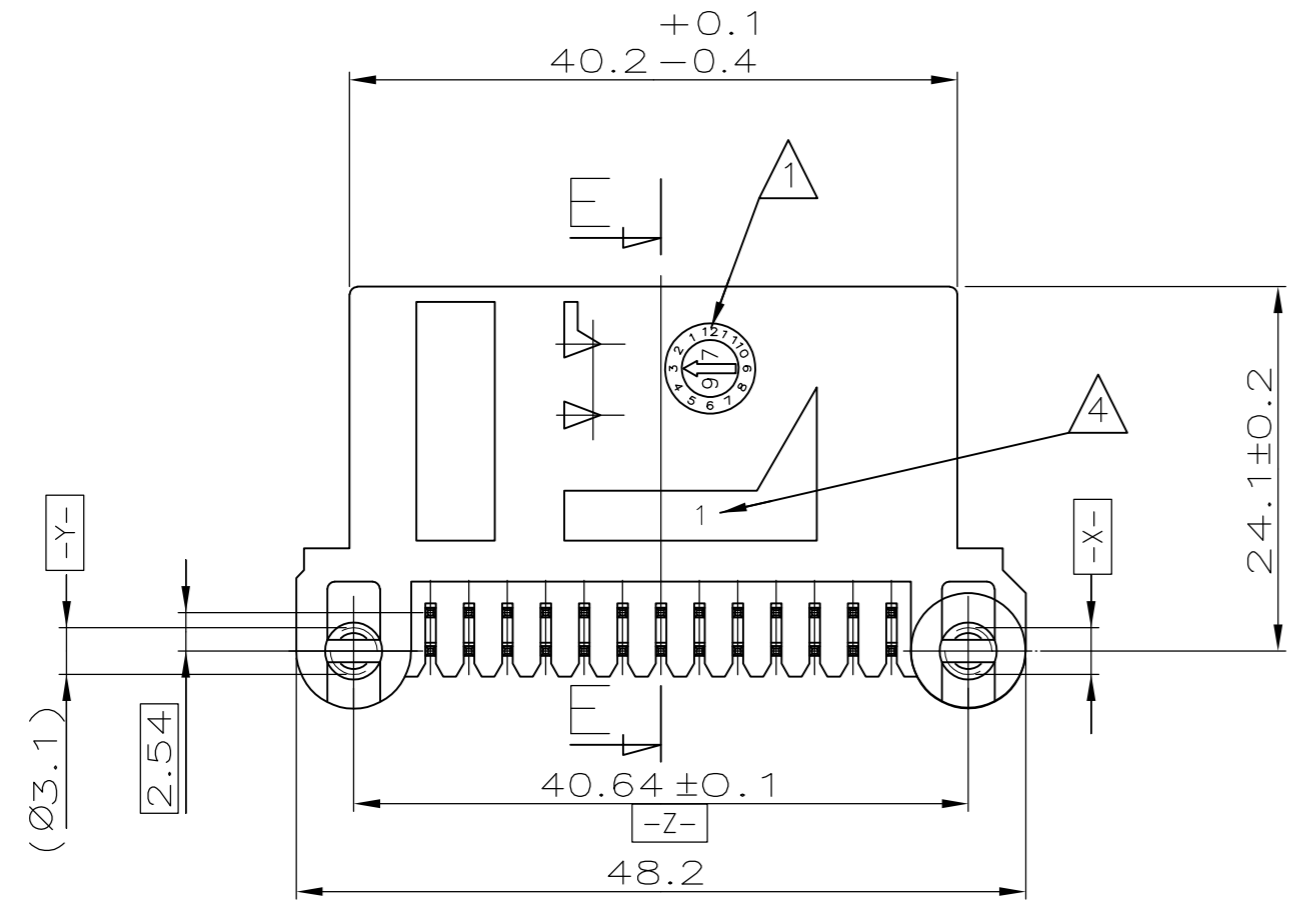


THIS DRAWING IS UNPUBLISHED. RELEASED FOR PUBLICATION  
 © COPYRIGHT - By - ALL RIGHTS RESERVED.

# SECTIONNEE (COUPE)

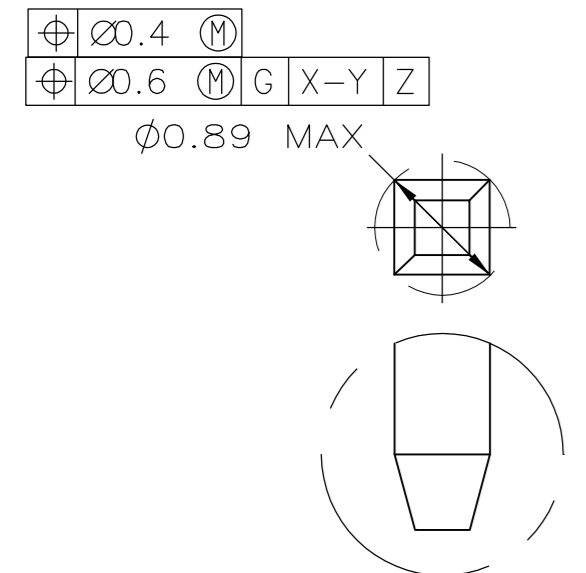
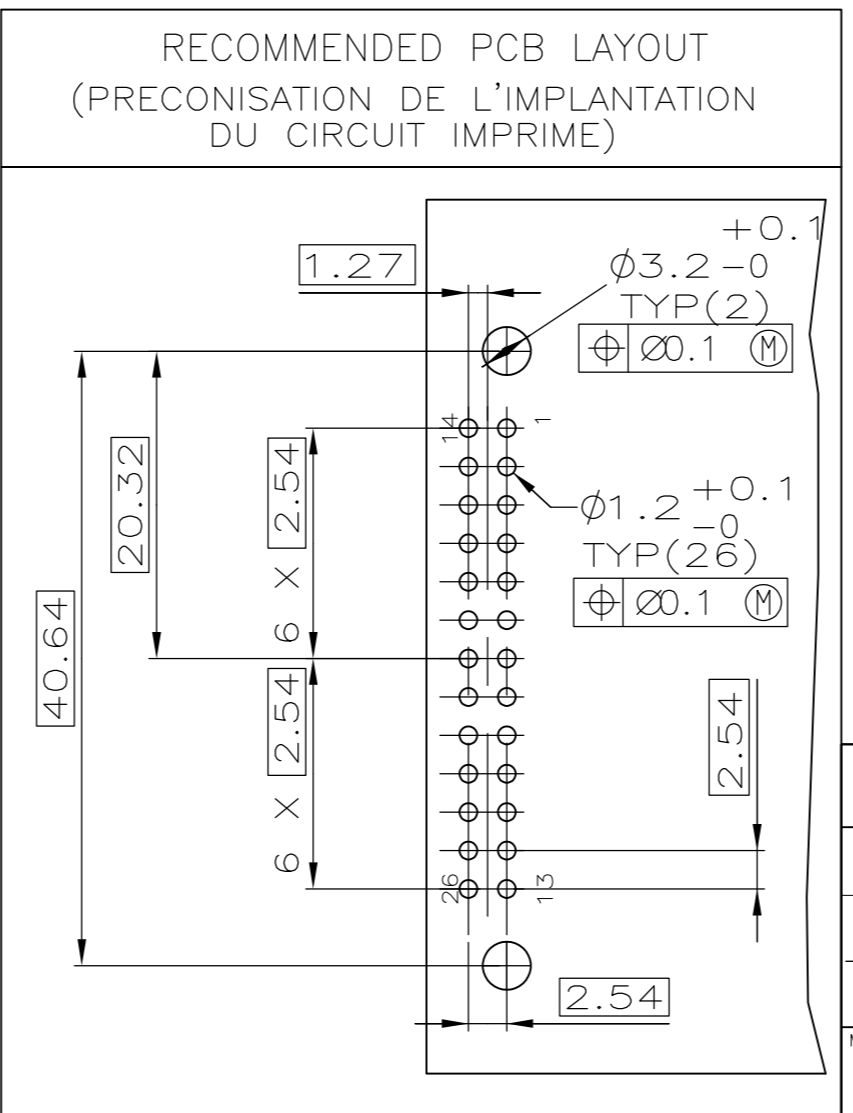
REVISIONS				
P	LTR	DESCRIPTION	DATE	APVD
WAS	P9623590		21-OCT-96	NN -
A	MISE A JOUR		14-APR-97	NT.N -
B	MISE A JOUR		26-SEP-00	NT.N S.K
C	NVLLE REFERENCE: 1-185904-2		04-APR-03	NT.N J.L
D	ADD THE NEW PN : 185904-3		15-MAR-06	NT.N J.L
E	ADD THE ENGLISH TRANSLATION		06-APR-06	NT.N J.L
F	ADD NEW PN : 2-185904-2		18JAN2016	NT.N J.L



(SCALE :10:1)  
(ECHELLE)

## NOTES:

- 1 DATE CODE (DATE CODE)
- 2 TE LOGO (EXISTING NAME : AMP) (LOGO DE TE (NOM EXISTANT : AMP))
- 3 ASSEMBLY PART NUMBER : 185904 (REFERENCE DU PRODUIT ASSEMBLE :)
- 4 CAVITY MARKING (N° D'EMPREINTE DU MOULE)
- 5 REVISION STATUS (REVISION DU MOULE)
- 6 MATERIAL REFERENCE : PBT 20GF (MATIERE)
- 7 ASSEMBLY DATE MARKING (MARQUAGE DE DATE D'ASSEMBLAGE)
- 8 P/N 2-185904-2 : FOR PACKAGING IN ESD TRAY + PLASTIC BAG (REF. POUR CONDITIONNEMENT EN PLATEAU ANTI STATIQUE + SAC PLASTIQUE)



HOUSING MATERIAL (MATIERE BOITIER)	CONTACT MATERIAL (MATIERE CONTACT)	FINISH (FINITION)	
PBT GF20	BRONZE	TIN OVER NICKEL (ETAIN SUR NICKEL)	
	BLUE (bleu)	2.6	1-185904-2
		3.5	2-185904-2
	185904-2	BLACK (Noir)	3.5
185904-3	YELLOW (jaune)		3.5
CODING (Detrompage)	COLOR (Couleur)	"H"	P/N ASS'Y (reference-assemble)

THIS DRAWING IS A CONTROLLED DOCUMENT.

DWN Ngoc-Thanh NGUYEN 16-DEC-96	TE Connectivity
CHK J.LAQUERBE 17-APR-97	
APVD JJ.REVIL 17-APR-97	
PRODUCT SPEC 108-15140	
MATERIAL	WEIGHT -
TOLERANCES UNLESS OTHERWISE SPECIFIED:	SCALE 2:1
DIMENSIONS: mm ANGLES ± 5° FINISH	SHEET 1 of 1 REV F

CUSTOMER DRAWING