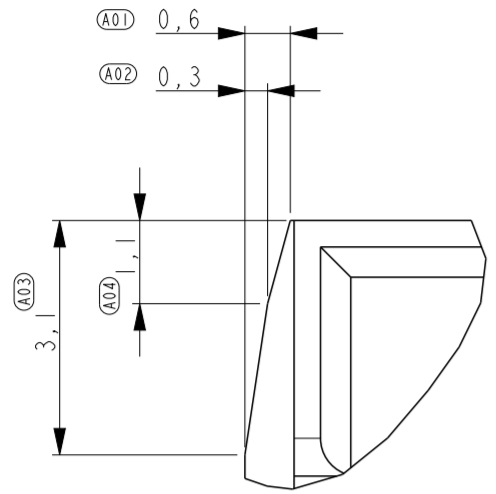
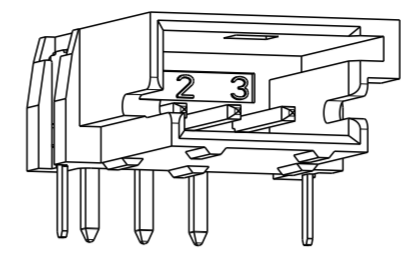
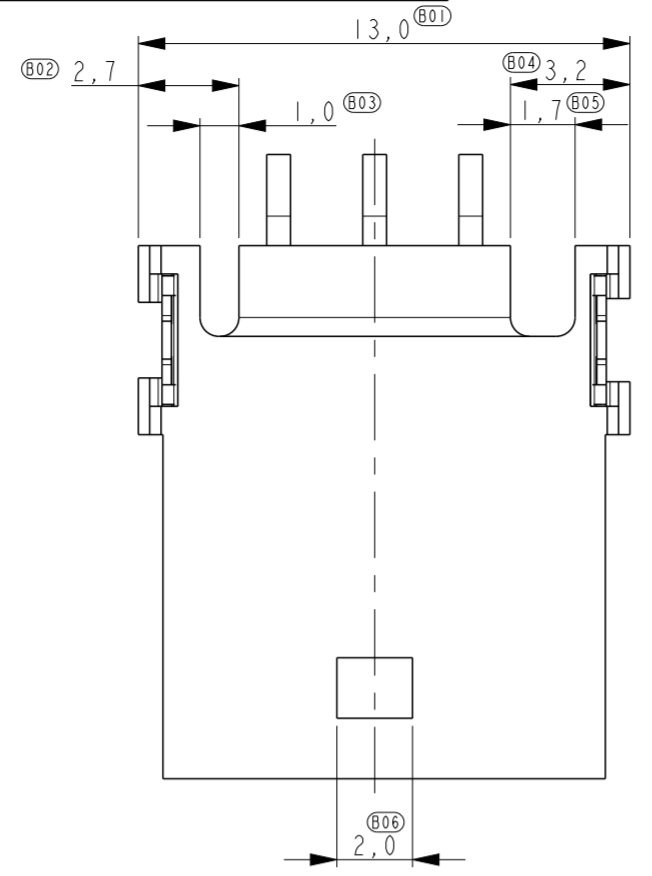


THIS DRAWING IS UNPUBLISHED. RELEASED FOR PUBLICATION
 © COPYRIGHT - ALL RIGHTS RESERVED.

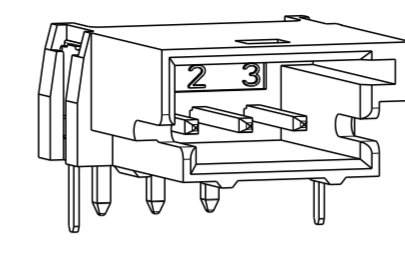
LOC		DIST		REVISIONS			
P	LTR	DESCRIPTION	DATE	DWN	APVD		
IR	-						
	F1	ECR-13-001688	29JAN2013	GG	RRP		



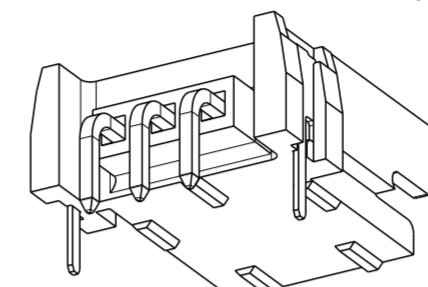
DETAIL Z
SCALE 10:1



SCALE 3:1



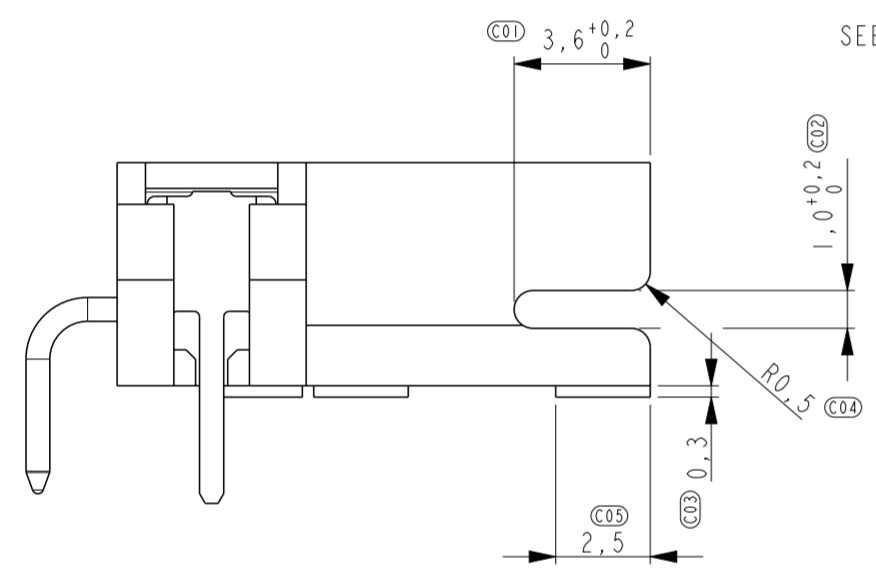
SCALE 3:1



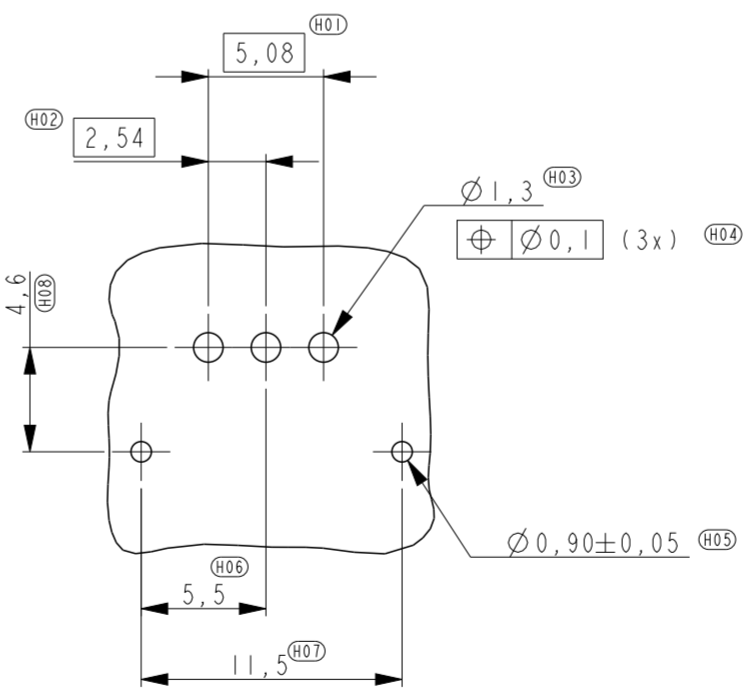
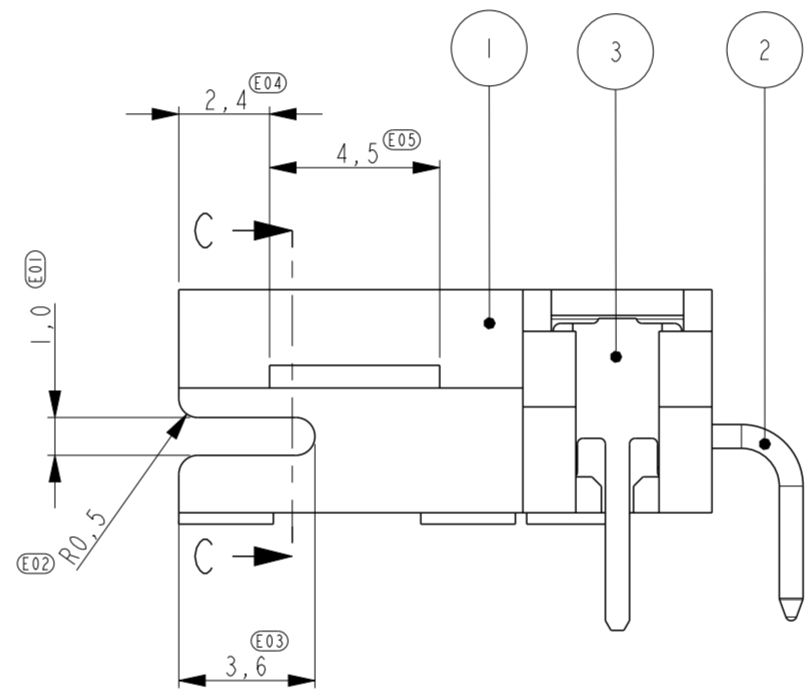
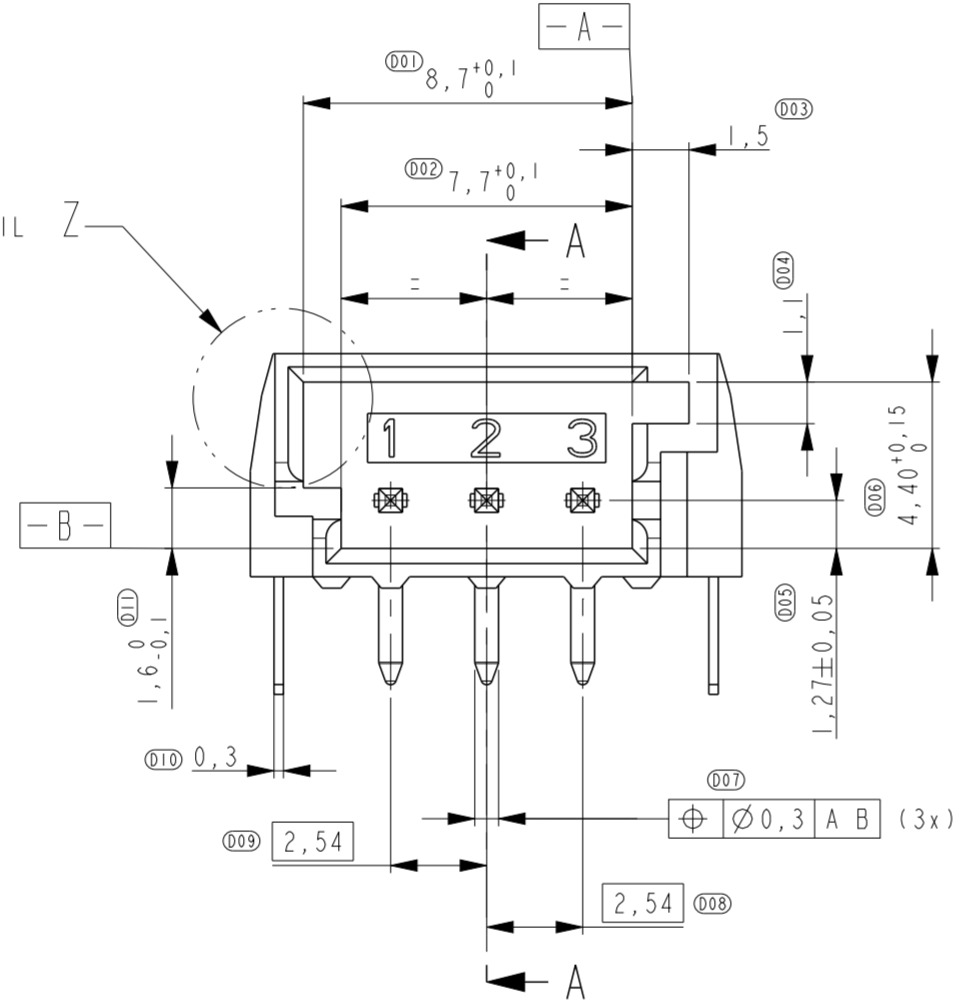
SCALE 3:1

NOTE:

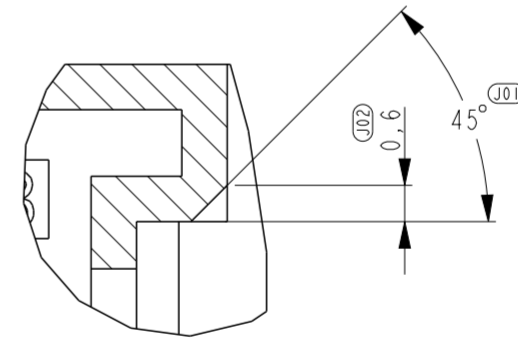
- ALL RADII R0,2 EXCEPT AS NOTED.
- PACKING:
 1857192-1 - TRAY PACKED
 1857192-2 - TAPE AND REEL PACKAGING ACCORDING TO EIA-481.



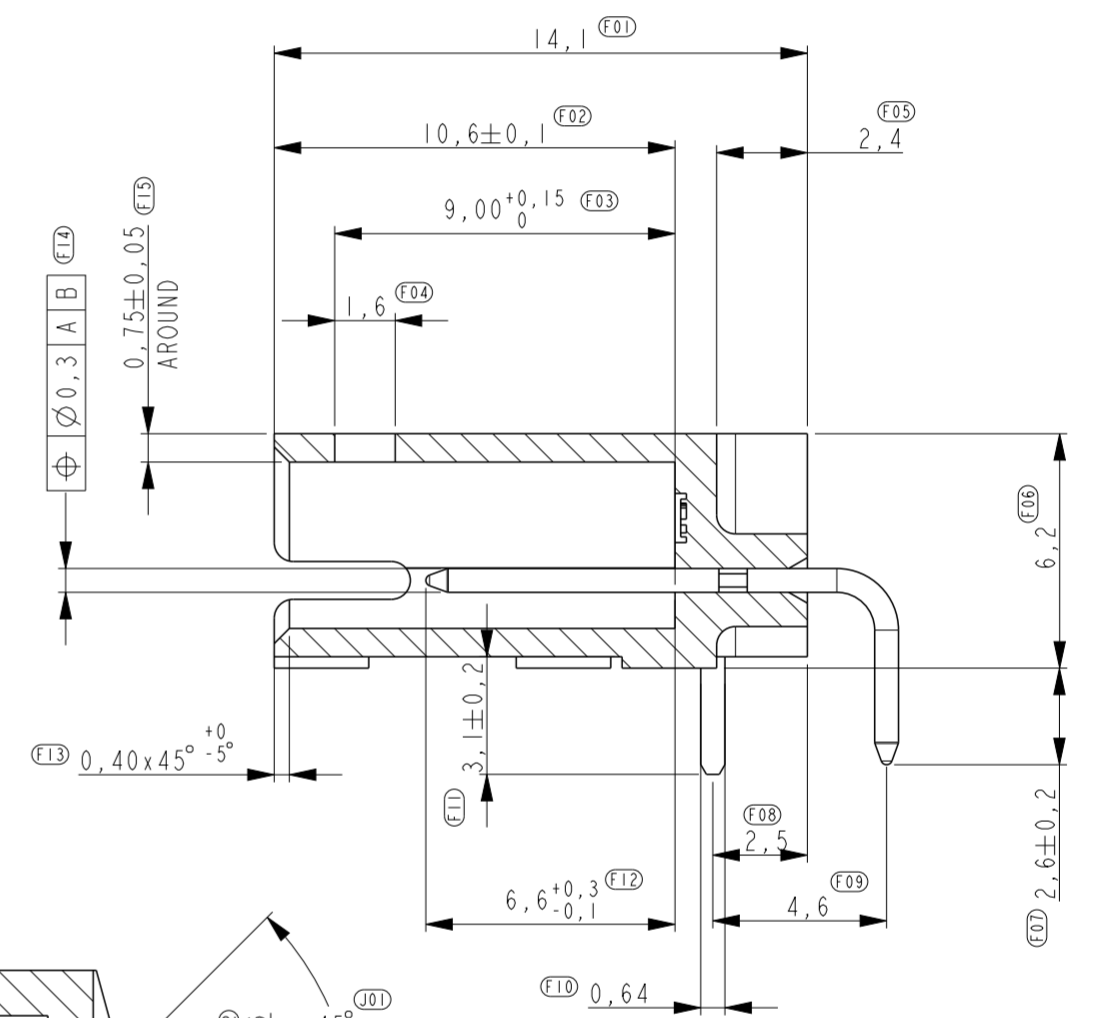
SEE DETAIL Z



PCB LAYOUT
SCALE 3:1



SECTION C-C
SCALE 8:1



SECTION A-A

1857192-1 AS SHOWN.

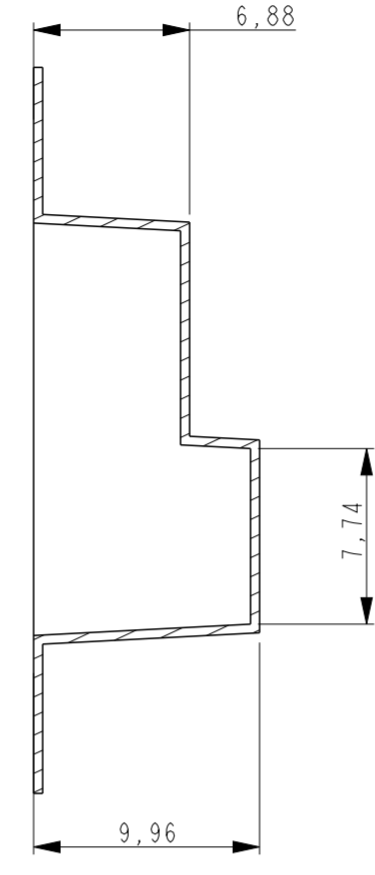
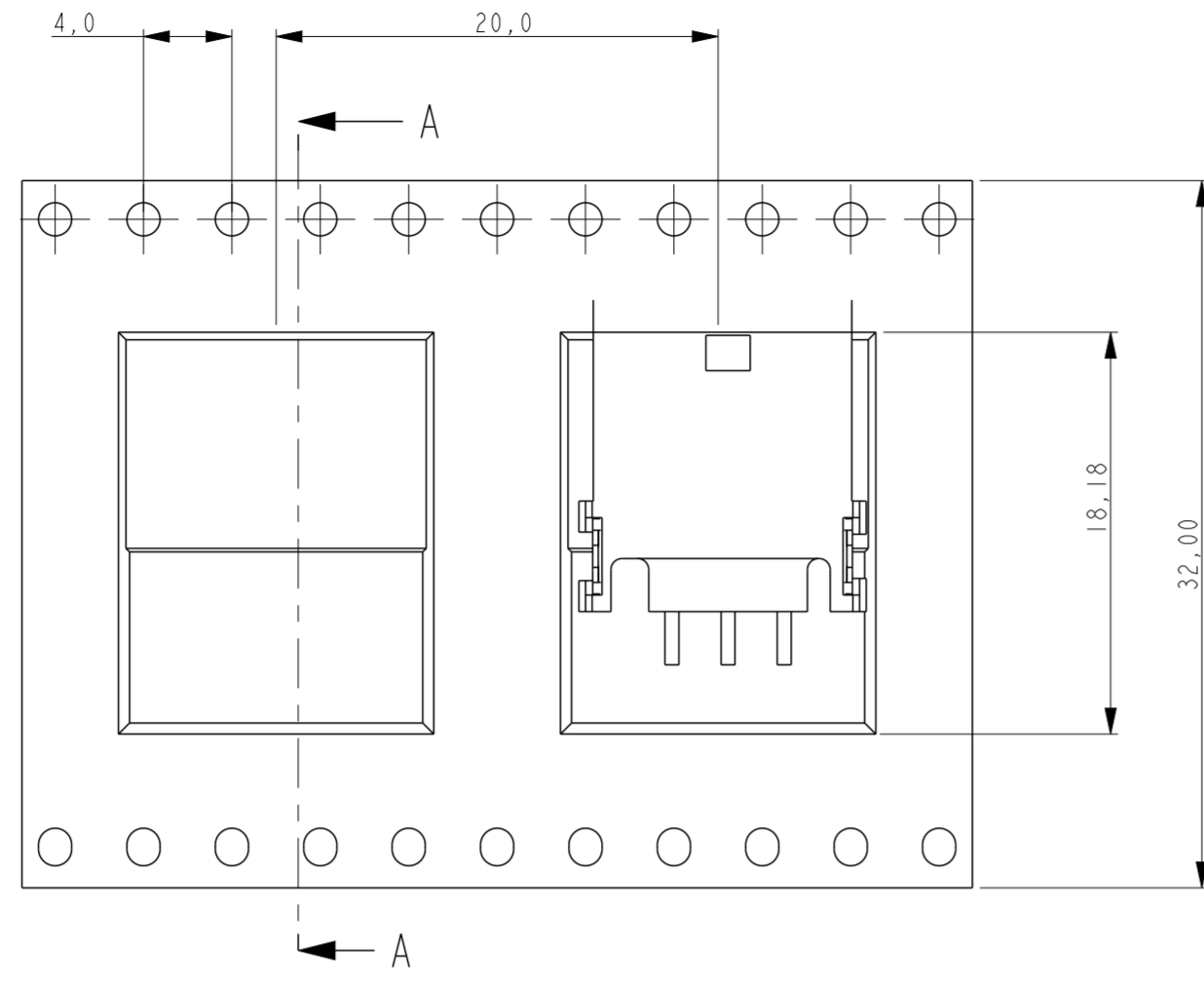
FINISH	MATERIAL	DESCRIPTION	FG PART NUMBER
Tin and Nickel	CuZn	BOARDLOCK	
Tin and Nickel	CuFe2p	CONTACT	1857192-2
-	LCP GF 30%	HOUSING	
Tin and Nickel	CuZn	BOARDLOCK	
Tin and Nickel	CuFe2p	CONTACT	1857192-1
-	PA 4.6 30% GF	HOUSING	

THIS DRAWING IS A CONTROLLED DOCUMENT.		DWN	06 JUL 05
DIMENSIONS: mm		CHK	J.V.D. HEIJDEN
TOLERANCES UNLESS OTHERWISE SPECIFIED:		APVD	06 JUL 05
0 PLC	±	APVD	J. BROEKSTEEG
1 PLC	±0,1	PRODUCT SPEC	
2 PLC	±0,05	APPLICATION SPEC	
3 PLC	±	WEIGHT	
4 PLC	±	CUSTOMER DRAWING	
ANGLES	±		
FINISH			

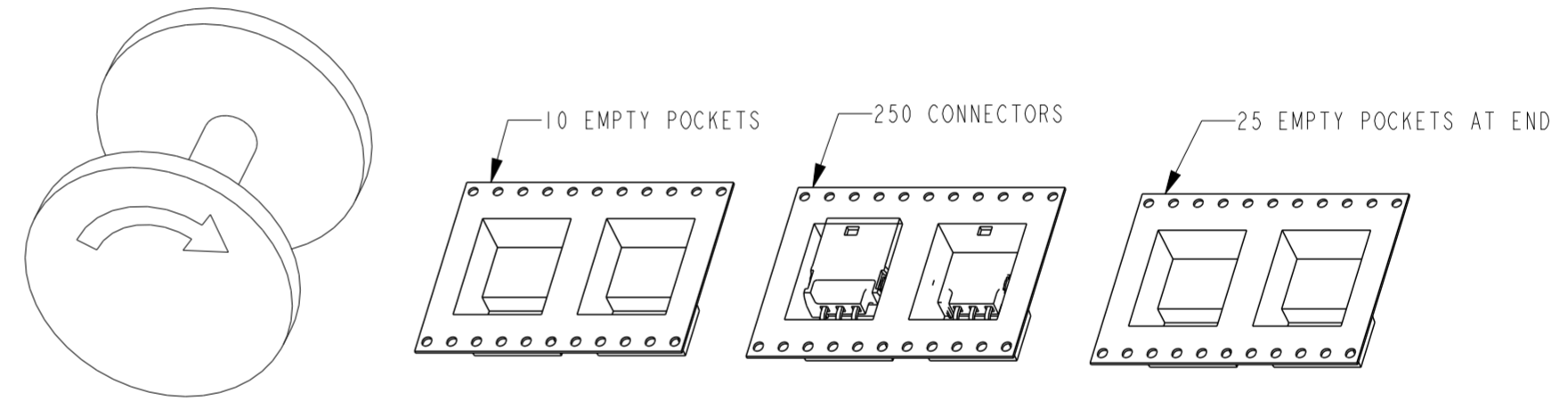
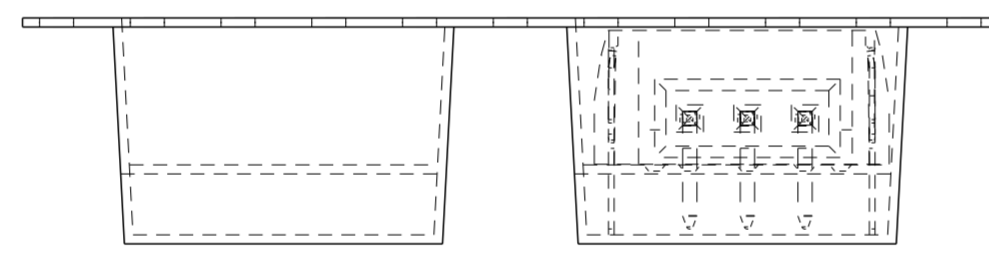
STE TE Connectivity			
NAME		PIN HEADER 3 POSITION TYPE D	
SIZE	CAGE CODE	DRAWING NO	RESTRICTED TO
A2	00779	C-1857192	
SCALE 5:1		SHEET 1 OF 2	REV F2

THIS DRAWING IS UNPUBLISHED. RELEASED FOR PUBLICATION
 © COPYRIGHT - ALL RIGHTS RESERVED.

LOC	DIST	REVISIONS			
P	LTR	DESCRIPTION	DATE	DWN	APVD
IR	-	SEE SHEET 1	-	-	-




SECTION A - A



REEL OF 330MM DIA

1857192-2 AS SHOWN.

THIS DRAWING IS A CONTROLLED DOCUMENT.		DWN J.V.D. HEIJDEN 06 JUL 05	 TE Connectivity	
DIMENSIONS: mm		CHK D.CAMPSCHROER 06 JUL 05		
TOLERANCES UNLESS OTHERWISE SPECIFIED:		APVD J.BROEKSTEEG 06 JUL 05	NAME PIN HEADER 3 POSITION TYPE D	
0 PLC ±- 1 PLC ±0,1 2 PLC ±0,05 3 PLC ±- 4 PLC ±- ANGLES ±- FINISH ±-		PRODUCT SPEC -	SIZE A2	CAGE CODE 00779
MATERIAL -		APPLICATION SPEC -	DRAWING NO C-1857192	RESTRICTED TO
		WEIGHT -	SCALE 5:1 SHEET 2 OF 2 REV F2	
		CUSTOMER DRAWING		