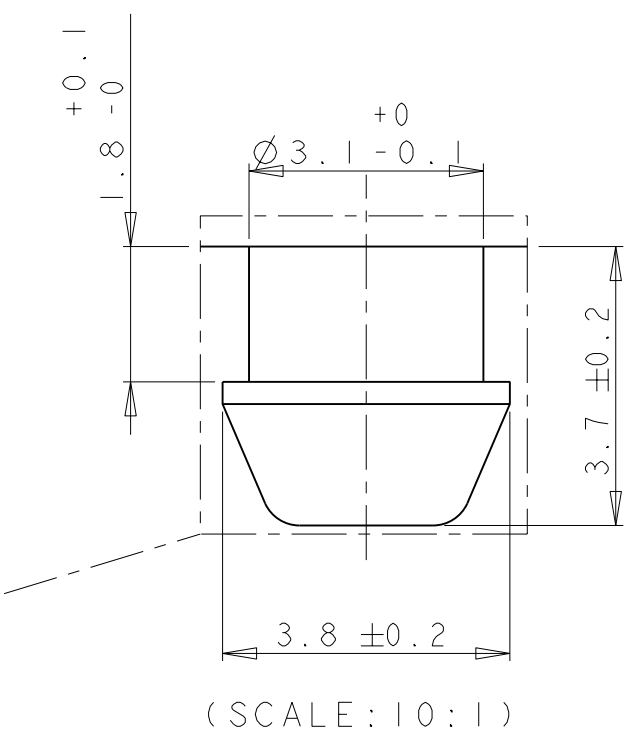
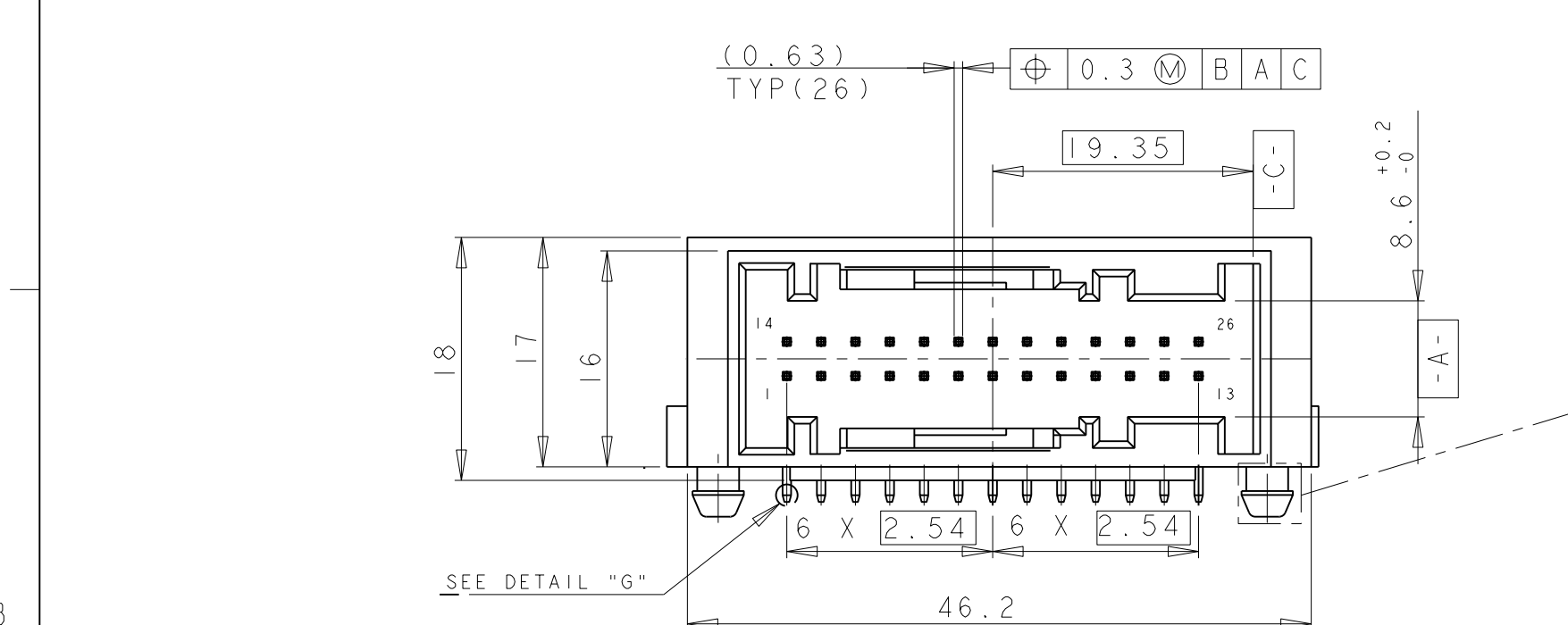
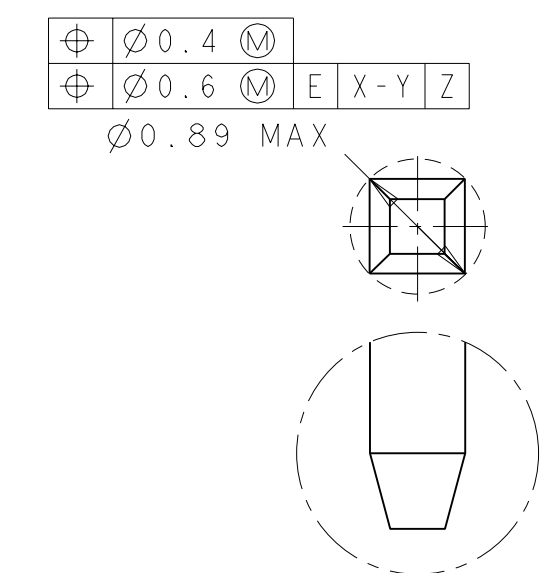
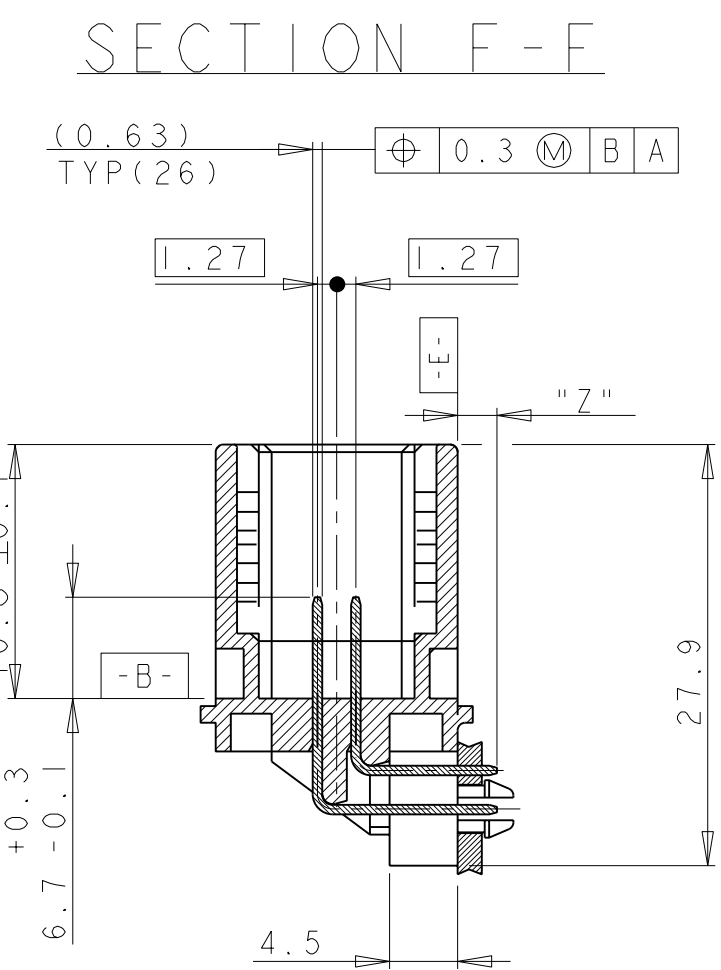
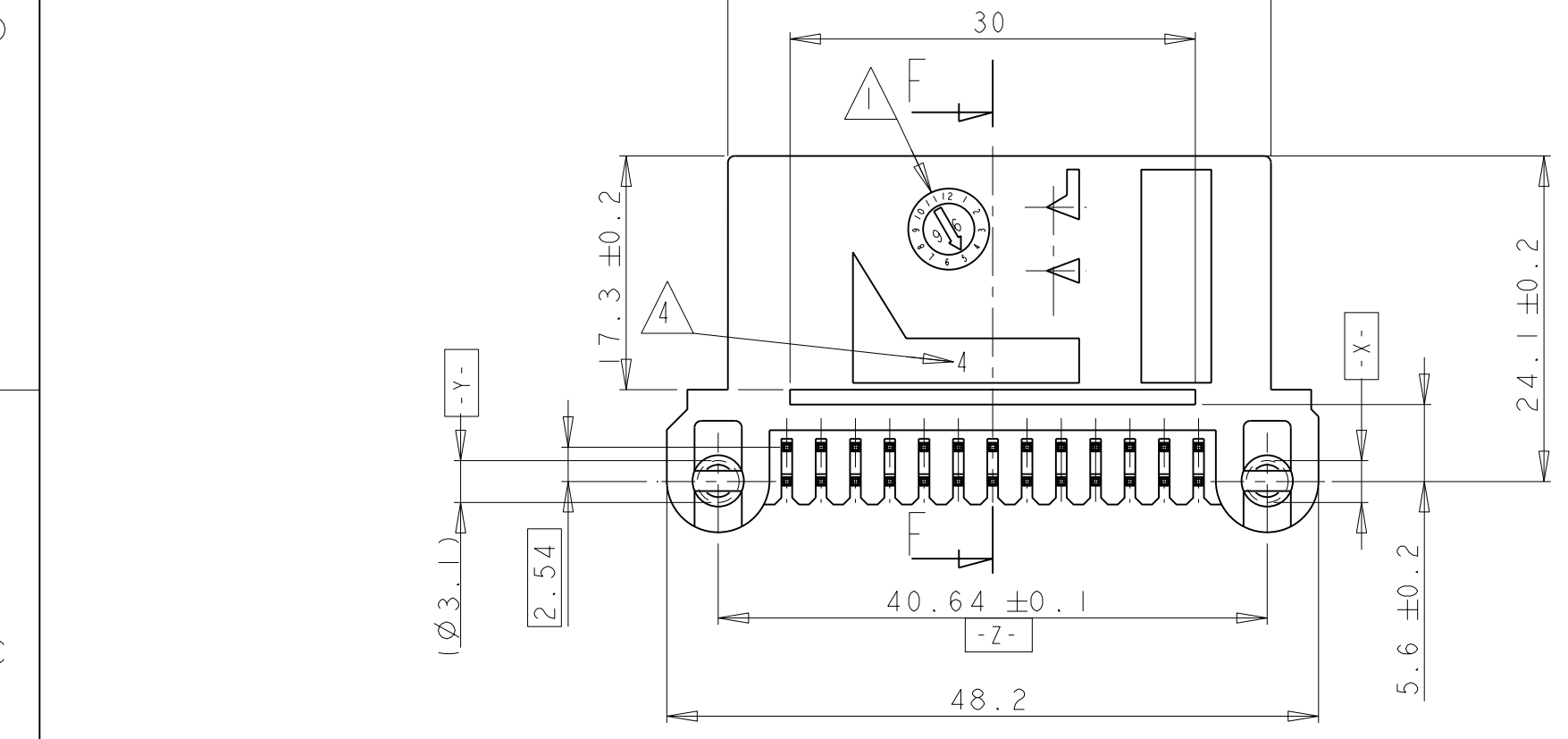
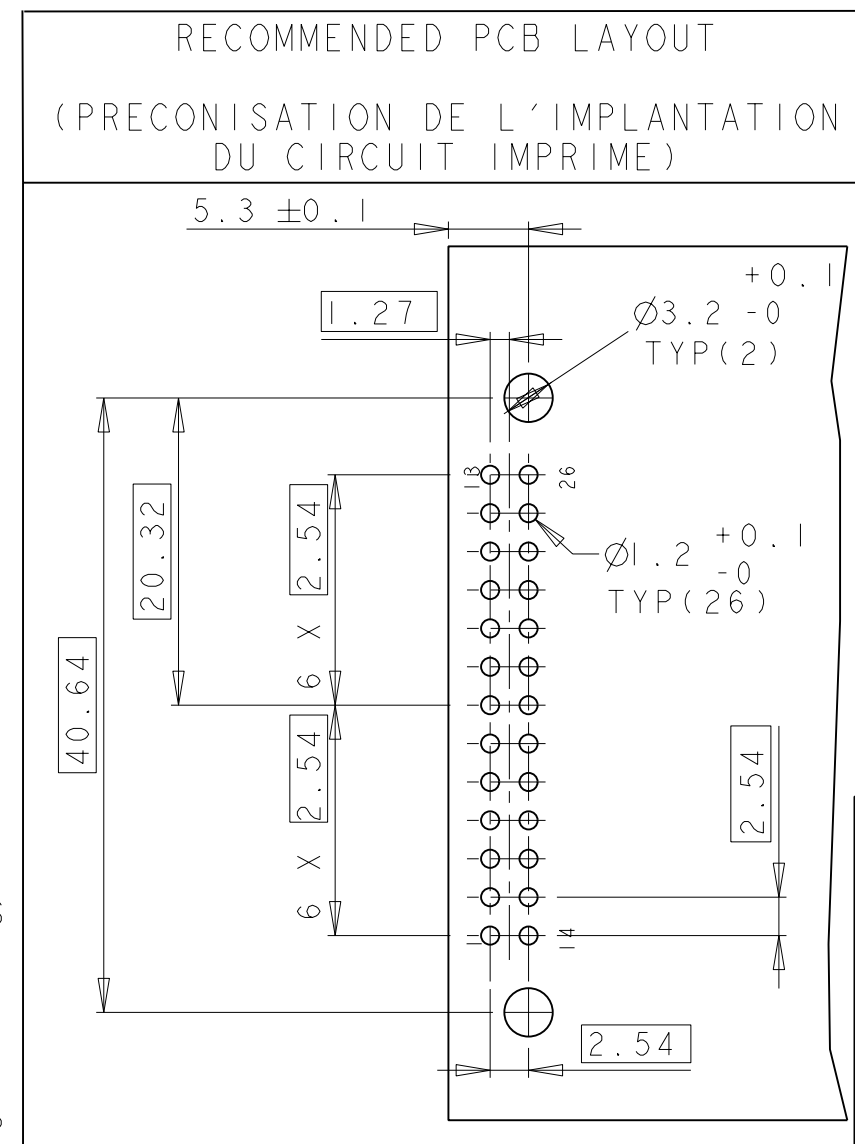


LOC	DIST	REVISIONS					
F	00	P	LTR	DESCRIPTION	DATE	DWN	APVD
		A		MISE A JOUR	07-AUG-96	NT	-
		B		NEW REFERENCES ADDED	15-NOV-96	NT	-
		C		LEAD REMOVED	05-FEB-08	MV	-



CODING (Detrompage)	COLOR (Couleur)	"Z"	P/N ASS'Y (reference-assemble)
	BLUE (bleu)	3.5 ± 0.2	185534-4
	BLUE (bleu)	2.6 ± 0.2	185534-2
	YELLOW (jaune)	3.5 ± 0.2	185534-3
	YELLOW (jaune)	2.6 ± 0.2	185534-1



PBT 20% GLASS FIBER (PBT 20% FIBRE DE VERRE)	COPPER ALLOY (ALLIAGE CUIVRE)	TIN OVER NICKEL (ETAIN SUR SOUS-COUCHE NICKEL)
HOUSING MATERIAL (MATIERE EMBASE)	PIN MATERIAL (MATIERE CONTACT)	PIN FINISH (FINITION CONTACT)

- NOTES:
- | | |
|--|------------------------------------|
| ① DATE CODE | DATE CODE |
| ② "AMP" LOGO | LOGO D' "AMP" |
| ③ TYCO ELECTRONICS PART NUMBER | REFERENCE PRODUIT TYCO ELECTRONICS |
| ④ MOLD CAVITY MARKING | N° EMPREINTE MOULE |
| ⑤ MATERIAL REFERENCE | REFERENCE MATIERE |
| ⑥ DIMENSIONS REQUIRED FOR CONNECTOR MATING | ZONE LIBRE POUR MONTAGE PORTE CLIP |

THIS DRAWING IS A CONTROLLED DOCUMENT FOR TYCO ELECTRONICS CORPORATION IT IS SUBJECT TO CHANGE AND THE CONTROLLING ENGINEERING ORGANIZATION SHOULD BE CONTACTED FOR THE LATEST REVISION.		DWN T NGUYEN 29-FEB-96	Tyco Electronics France SAS 95300 Pontoise, France	
DIMENSIONS: mm		CHK J LAQUERBE 28-NOV-96	NAME HEADER ASSY, 26 POSN, MQS, RIGHT ANGLE WITH BOARD-LOCK	
TOLERANCES UNLESS OTHERWISE SPECIFIED:		APVD JJ REVII 28-NOV-96	EMBASE ASSEMBLEE, 26 POSITIONS, MQS, COUDEE AVEC BOARD-LOCK	
0 PLC ±	1 PLC ±	PRODUCT SPEC 108-15140	SIZE A2	CAGE CODE 00779
2 PLC ±0.3	3 PLC ±	APPLICATION SPEC	DRAWING NO C-185534	RESTRICTED TO
4 PLC ±	ANGLES ±5°	FINISH	WEIGHT -	SHEET 1 OF 1
MATERIAL SEE TABLE		CUSTOMER DRAWING	SCALE 2:1	REV C