

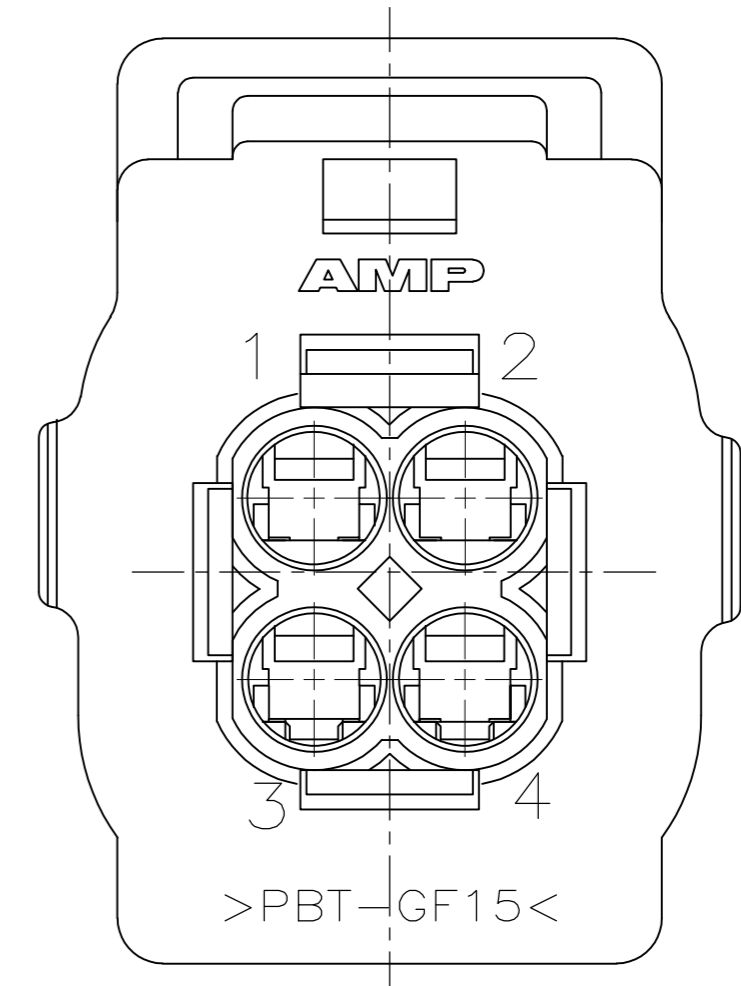
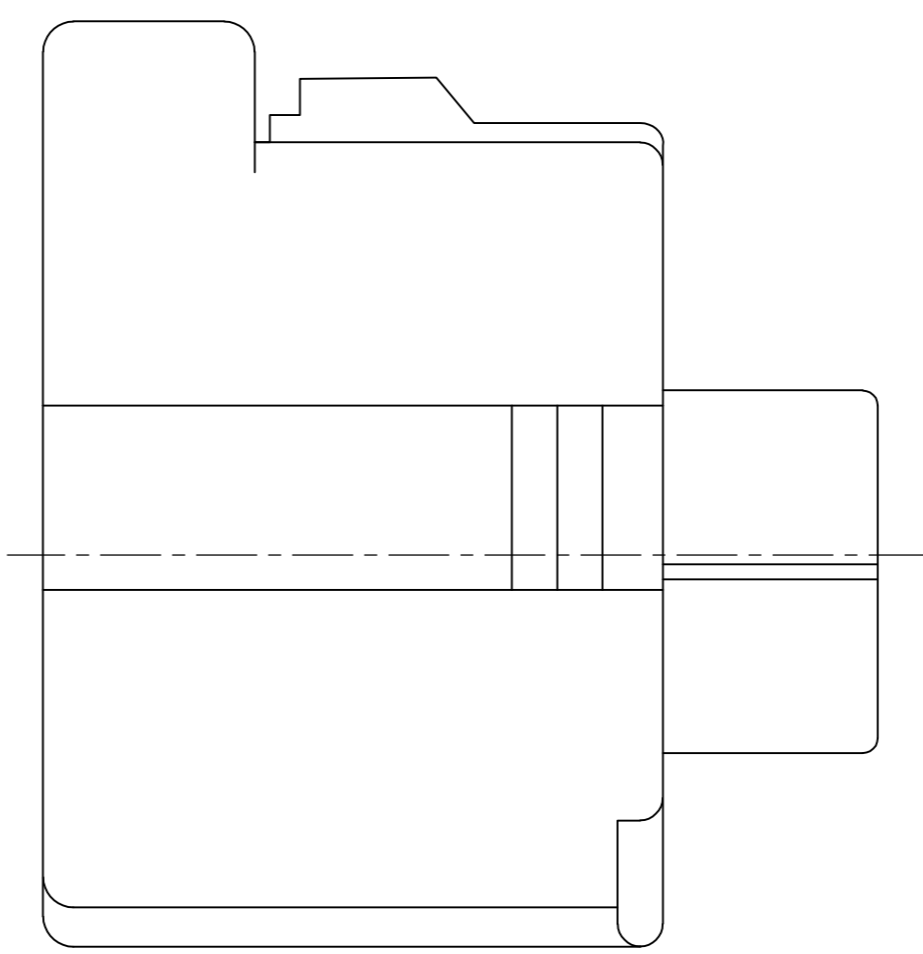
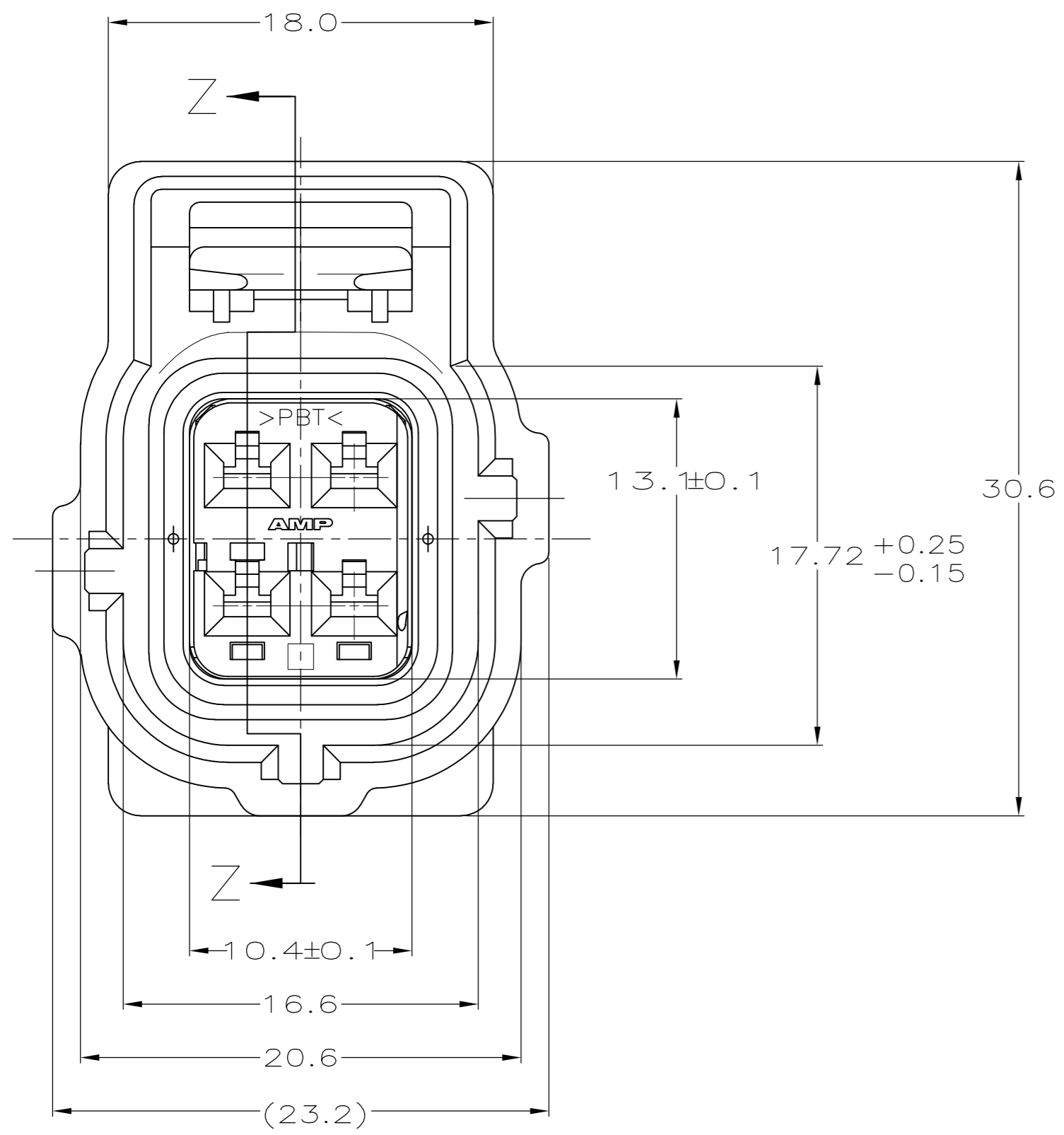
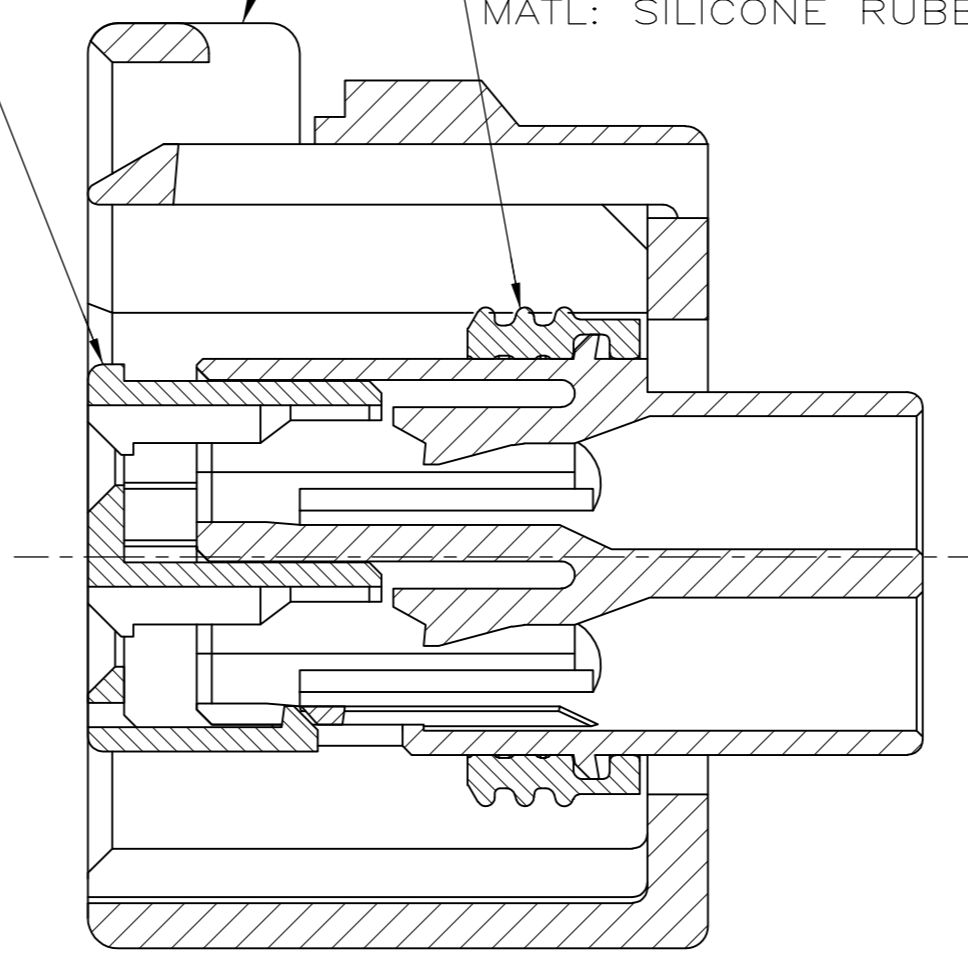
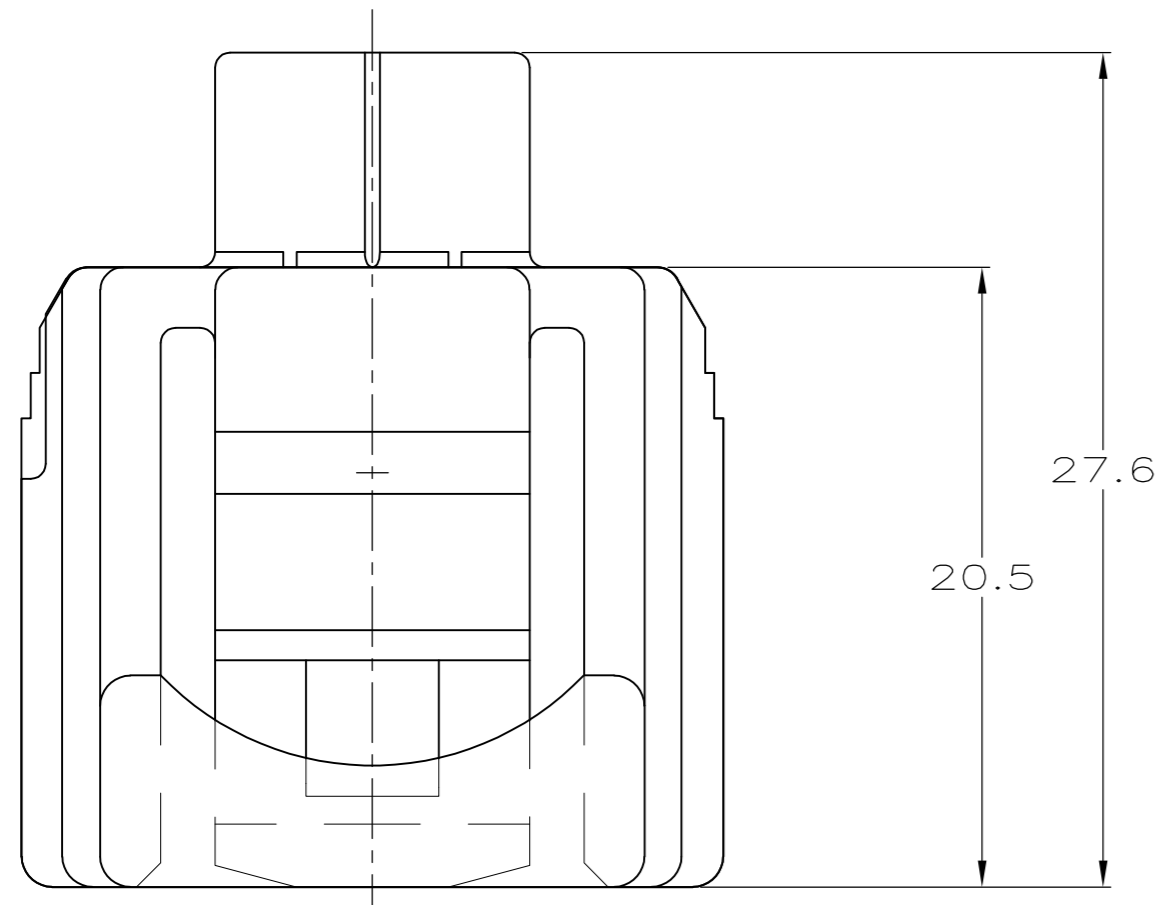
THIS DRAWING IS UNPUBLISHED. RELEASED FOR PUBLICATION
 © COPYRIGHT BY TYCO ELECTRONICS CORPORATION. ALL RIGHTS RESERVED.

LOC	DIST	REVISIONS					
GE	00	P	LTR	DESCRIPTION	DATE	DWN	APVD
		E		REVISED PER ECO-09-008507	09APR2009	DD	MB

DBL LOCK PLATE
 MAT'L: PBT, 15%
 GLASS FILLED

PLUG HOUSING
 MAT'L: PBT, 15% GLASS FILLED

SEAL RING
 MAT'L: SILICONE RUBBER



GRAY	184393-2
BLACK	184393-1
PLUG COLOR	PART NUMBER

THIS DRAWING IS A CONTROLLED DOCUMENT.		DWN AJ GRAFF 16MAY01	Tyco Electronics Corporation Harrisburg, PA 17105-3608	
DIMENSIONS: MM		CHK K COBLE 16MAY01	NAME	
TOLERANCES UNLESS OTHERWISE SPECIFIED:		APVD K COBLE 16MAY01	2 X 2 PLG ASY KEY B-C3	
0 PLC ± -		PRODUCT SPEC	SIZE	RESTRICTED TO
1 PLC ± 0.3		APPLICATION SPEC	CAGE CODE	
2 PLC ± 0.15			DRAWING NO	
3 PLC ± -		WEIGHT	A2 00779	C=184393
4 PLC ± -			SCALE	SHEET 1 OF 1
ANGLES ± -		CUSTOMER DRAWING	4:1	REV E
FINISH				