

4

3

2

1

THIS DRAWING IS UNPUBLISHED.

RELEASED FOR PUBLICATION

-. - .

LOC

DIST

REVISIONS

© COPYRIGHT - By -

ALL RIGHTS RESERVED.

G

16

P

LTR

DESCRIPTION

DATE

DWN

APVD

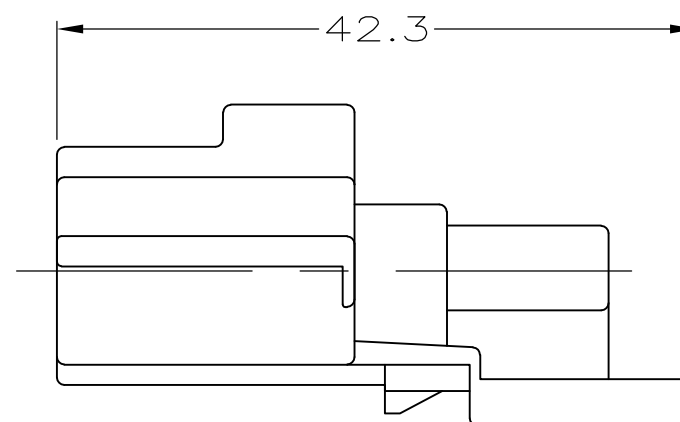
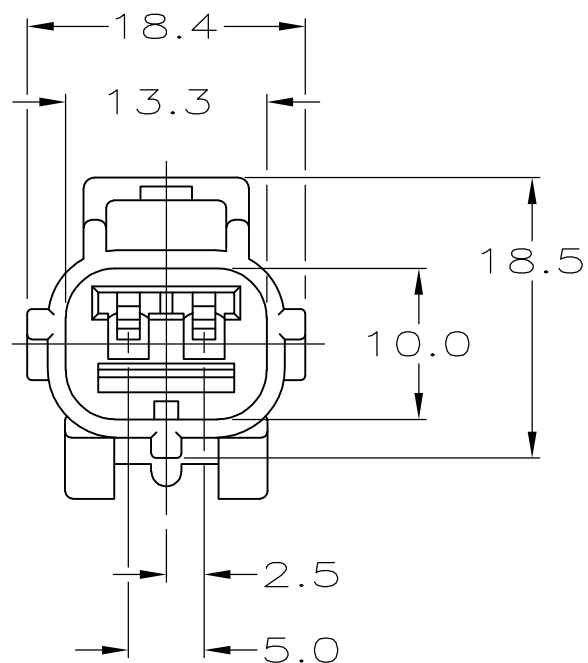
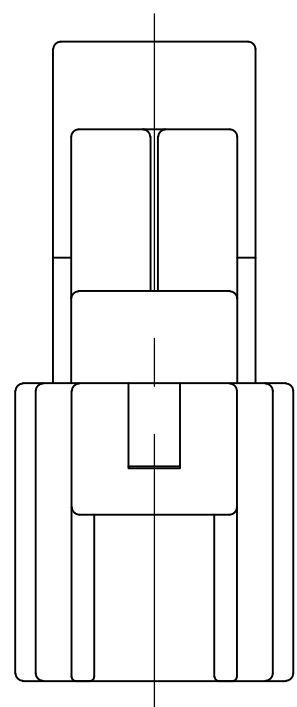
A1

REVISED PER ECO-14-015182


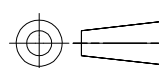
08OCT2014

DD

MB



NATURAL	184163-2
BLACK	184163-1
PART NUMBER	PART NUMBER

THIS DRAWING IS A CONTROLLED DOCUMENT.		DWN K. WISE 02/14/96	 TE Connectivity NAME CAP HOUSING, SSC, 2 POSITION A KEY				
DIMENSIONS: mm		CHK J. KUNKLE 03/08/96				APVD J. KUNKLE 03/08/96	RESTRICTED TO
		PRODUCT SPEC -				APPLICATION SPEC -	SIZE A3
MATERIAL PBT		FINISH BLACK				WEIGHT -	CAGE CODE 00779
TOLERANCES UNLESS OTHERWISE SPECIFIED:		DRAWING NO C-184163					
0 PLC ± -	1 PLC ± 0.3	SCALE 2:1					
2 PLC ± -	3 PLC ± -	SHEET 1 OF 1					
4 PLC ± -	ANGLES ± -	REV A1					
CUSTOMER DRAWING							