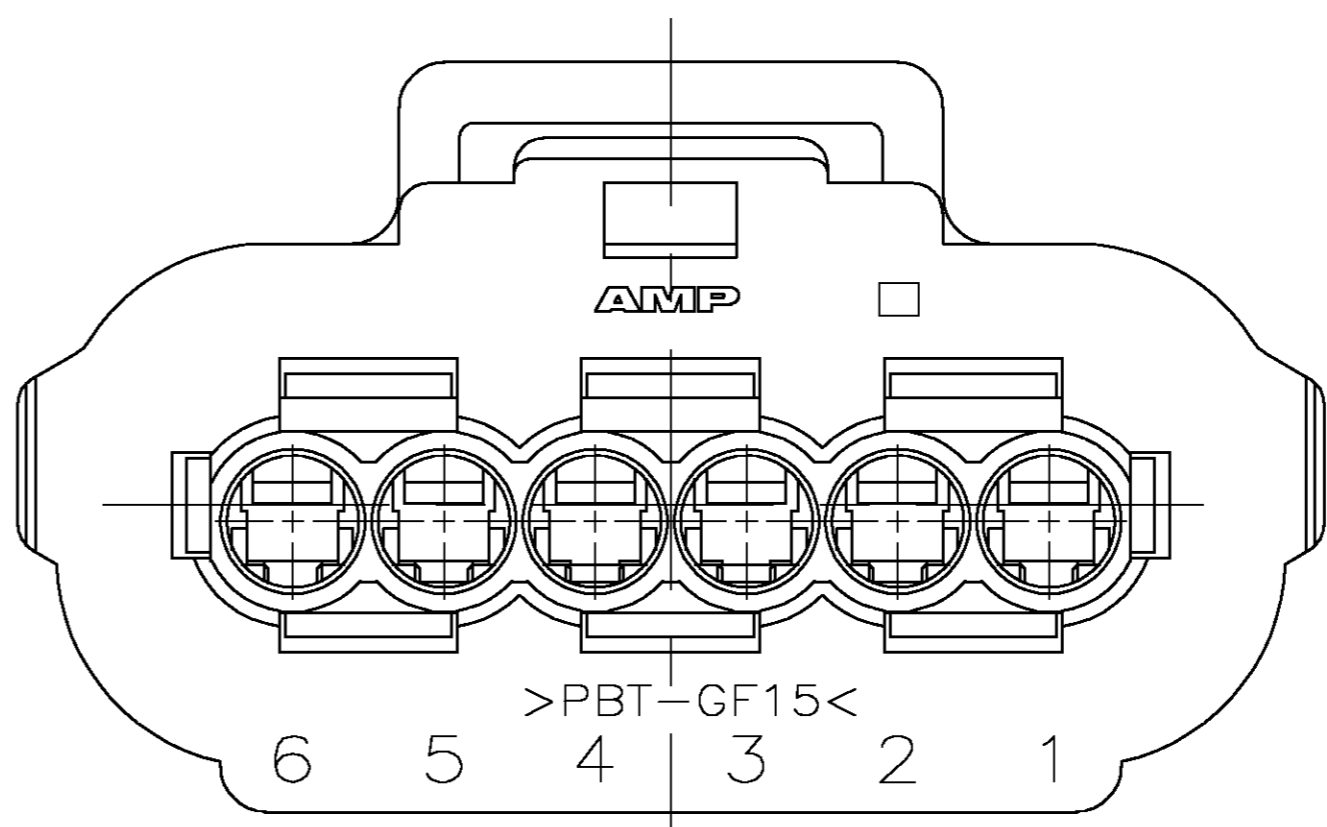
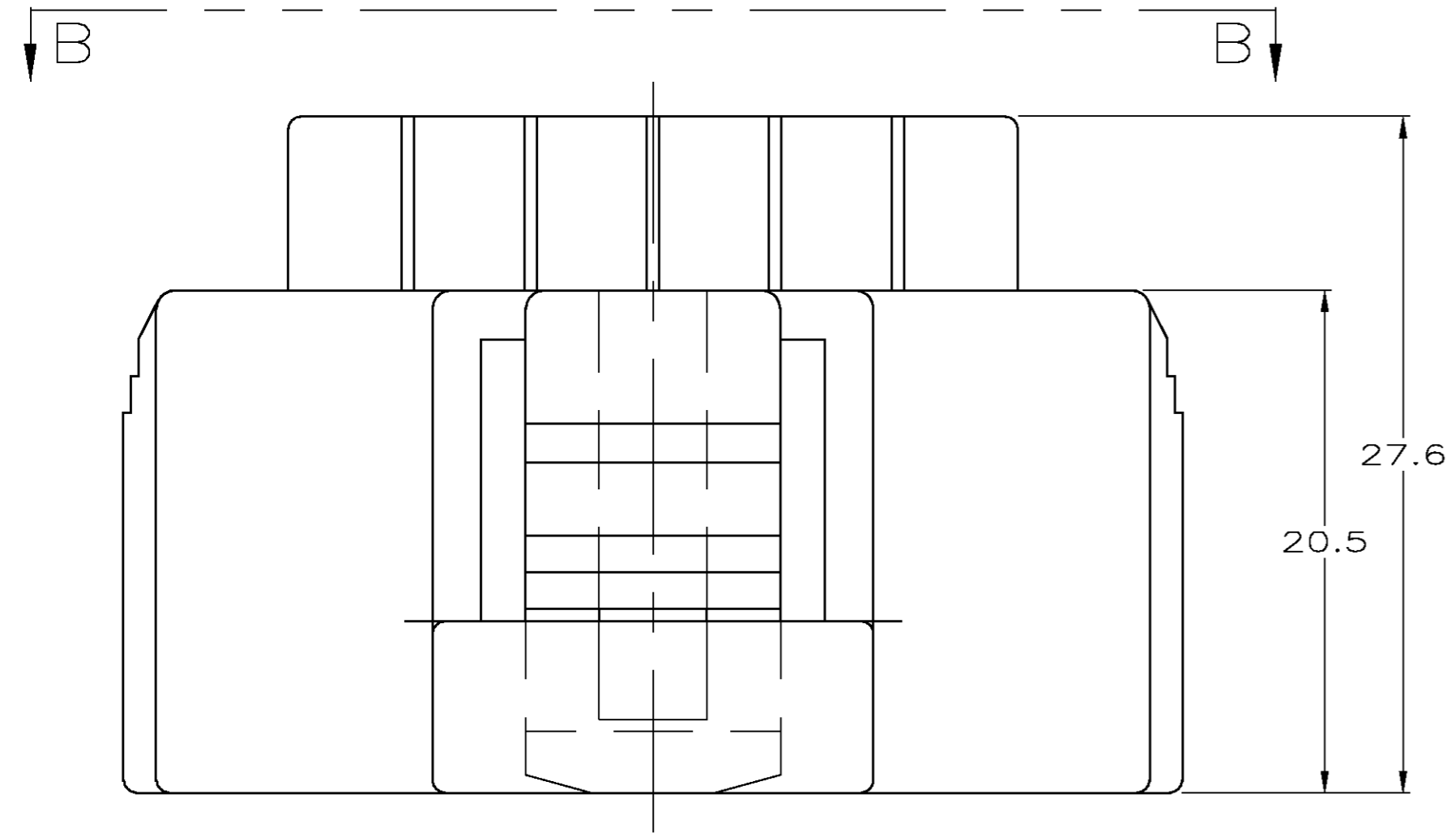
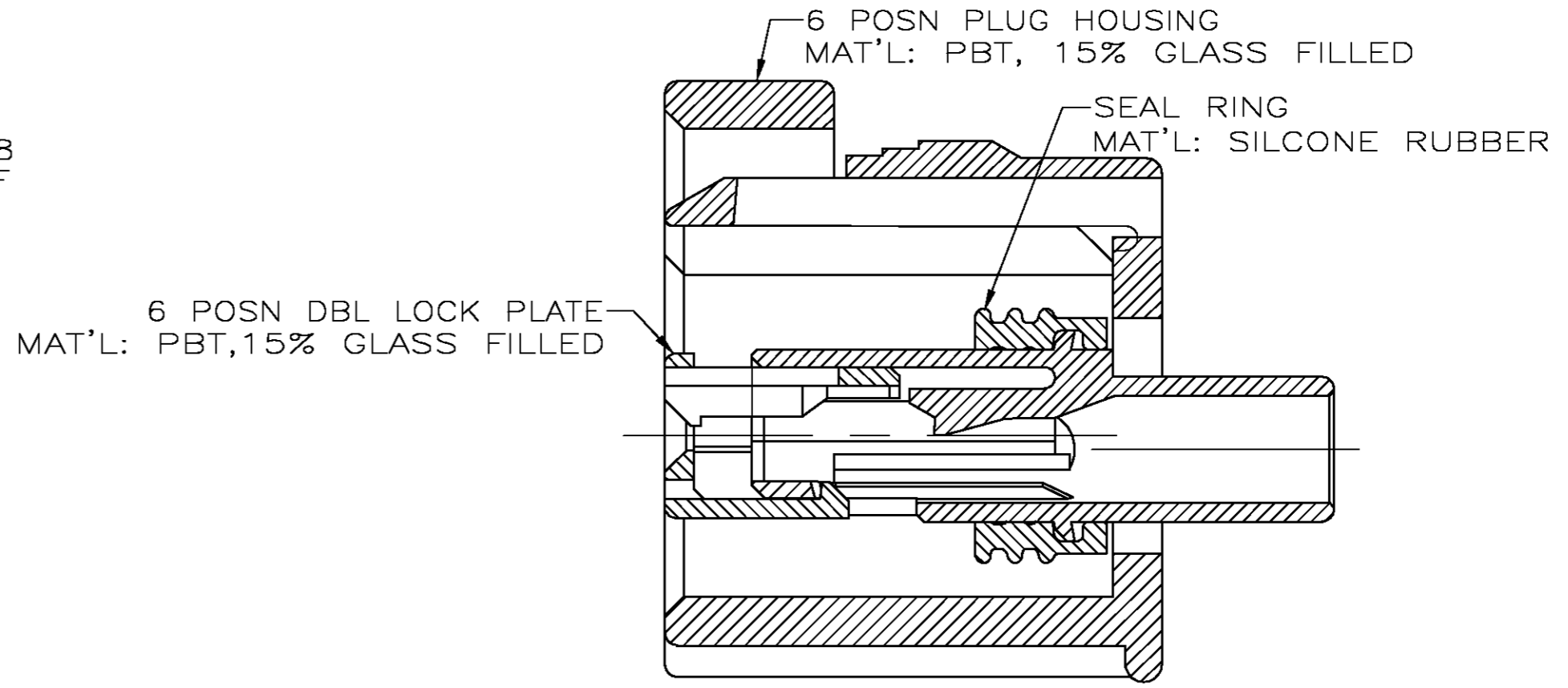
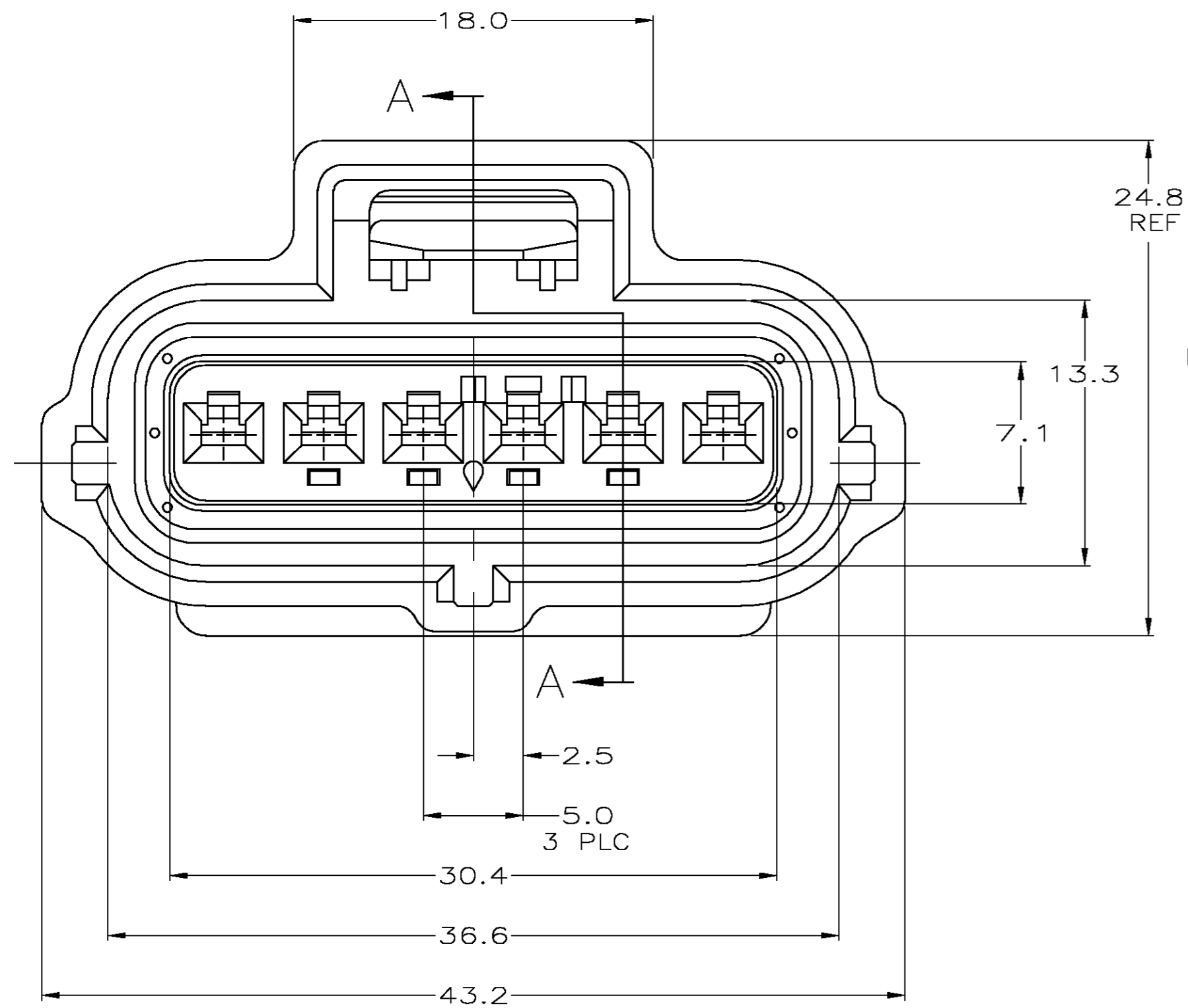


THIS DRAWING IS UNPUBLISHED. RELEASED FOR PUBLICATION  
 © COPYRIGHT BY TYCO ELECTRONICS CORPORATION. ALL RIGHTS RESERVED.

LOC		DIST		REVISIONS			
P	LTR	DESCRIPTION	DATE	DWN	APVD		
G	16	B	EC 0K40-0177-04	12AUG04	JRB	KLC	



VIEW B-B



SECTION A-A

184124-1  
 PART NUMBER

THIS DRAWING IS A CONTROLLED DOCUMENT.		DWN	KD LYTLE	3/29/96	 Tyco Electronics Corporation Harrisburg, Pa 17105-3608		
DIMENSIONS: mm		CHK	CT HYRB	4/4/96			
TOLERANCES UNLESS OTHERWISE SPECIFIED:		APVD	CT HYRB	4/4/96			
0 PLC ± - 1 PLC ± - 2 PLC ± 0.3 3 PLC ± - 4 PLC ± - ANGLES ±' - FINISH -		PRODUCT SPEC	NAME			1 X 6 PLG ASY KEY B-C3	
MATERIAL		APPLICATION SPEC	SIZE		CAGE CODE	DRAWING NO	RESTRICTED TO
		WEIGHT	A2		00779	C=184124	-
		CUSTOMER DRAWING	SCALE		4:1	SHEET	1 OF 1
						REV	B

184124

A