

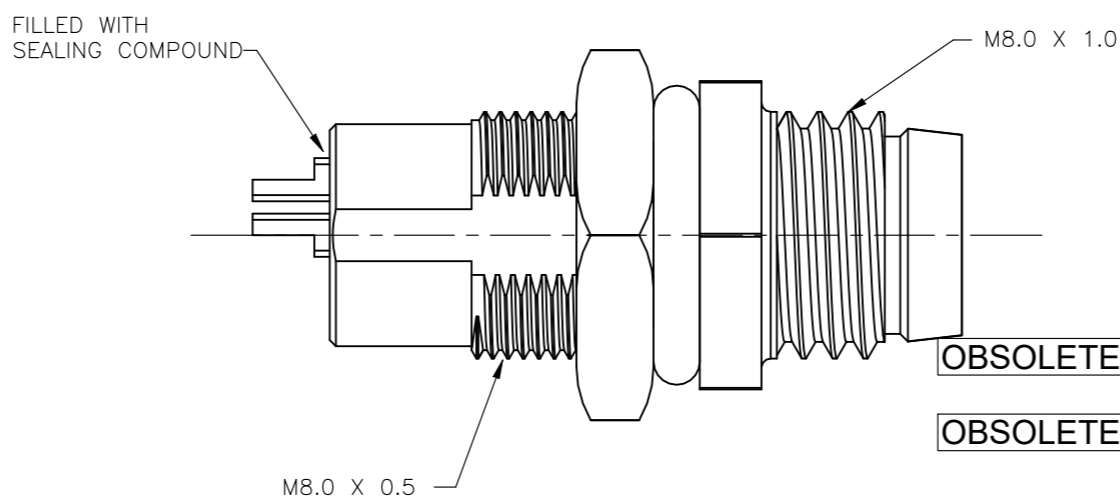
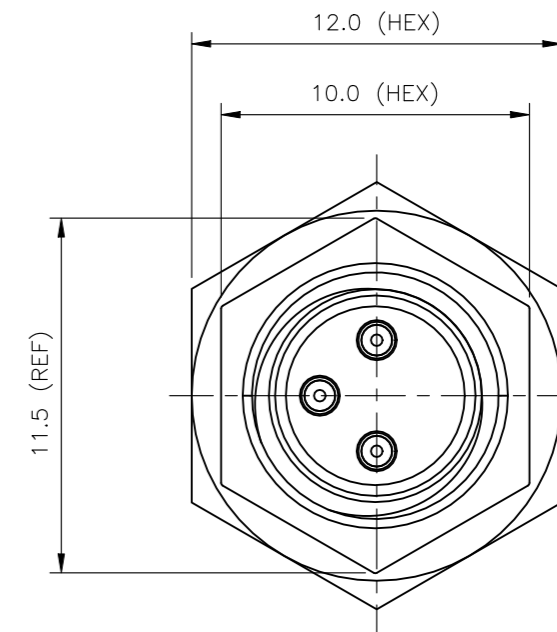
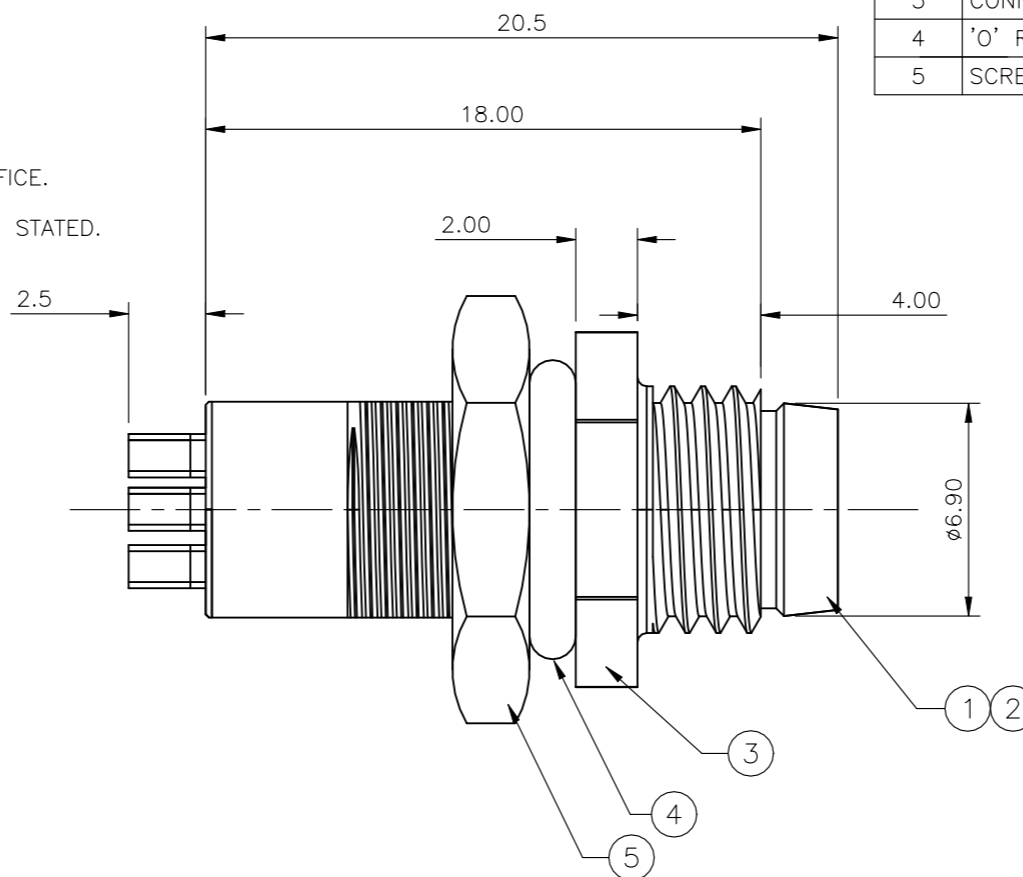
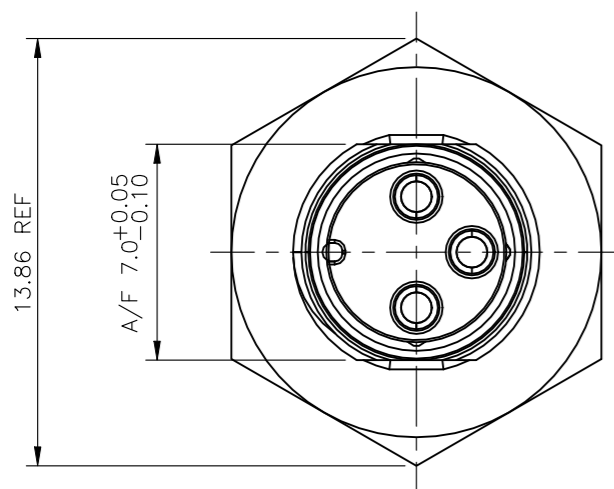
REVISIONS

P	LTR	DESCRIPTION	DATE	DWN	APVD
	D2	ECR-22-148170	07MAY2024	BP	CW

NOTES:

- ELECTRICAL DATA: CONTACT RESISTANCE: 10 mOhm MAX  
INSULATION RESISTANCE: 100 MOhm MIN at 500VDC  
CURRENT RATING: 5 AMPS FOR 3 AND 4 POSITIONS  
BREAKDOWN VOLTAGE: 500 VAC MIN PER MINUTE
- ENVIRONMENTAL: OPERATING TEMPERATURE: -25°C TO +90°C  
SEALING REQUIREMENTS: IP67
- PROD SPEC: 108-3641
- PACKAGING: 107-3334
- FOR TECHNICAL DATA REFER TO YOUR LOCAL TE CONNECTIVITY SALES OFFICE.
- ALL DIMENSIONS ARE NOMINAL FOR REFERENCE ONLY UNLESS OTHERWISE STATED.

ITEM	DESCRIPTION	MATERIAL	FINISH/COLOUR	QUANTITY / ITEM	
				-1	-2
1	CONNECTOR HOUSING	GF NYLON	BLACK	1	1
2	PIN CONTACT	BRASS	0.15µm GOLD OVER NICKEL	3	4
3	CONNECTOR BODY	ZINC DIE CAST	2.5µm NICKEL PLATED	1	1
4	'O' RING	EPDM	BLACK	1	1
5	SCREW NUT	BRASS	2.5µm NICKEL PLATED	1	1




**OBSOLETE**

**OBSOLETE**

DESCRIPTION	NO. OF POS	PART NUMBER
M8 METAL MALE PANEL MOUNT CONNECTOR, SOLDER, STRAIGHT, REAR (HEXAGONAL) MOUNTING	4	1838838-2
M8 METAL MALE PANEL MOUNT CONNECTOR, SOLDER, STRAIGHT, REAR (HEXAGONAL) MOUNTING	3	1838838-1

**OBSOLETE**

THIS DRAWING IS A CONTROLLED DOCUMENT.

DWN A. Morey 21FEB07	 TE Connectivity Ltd.
CHK F. Wheeler-King 22FEB07	
APVD F. Wheeler-King 22FEB07	
PRODUCT SPEC	
NAME	M8 METAL MALE PANEL MOUNT CONN, SOLDER, STRAIGHT, REAR (HEXAGONAL) MOUNTING
APPLICATION SPEC	-
WEIGHT	SIZE: A3, CAGE CODE: 00779, DRAWING NO: C-1838838, RESTRICTED TO: -
CUSTOMER DRAWING	SCALE: NTS, SHEET: 1 OF 2, REV: D2

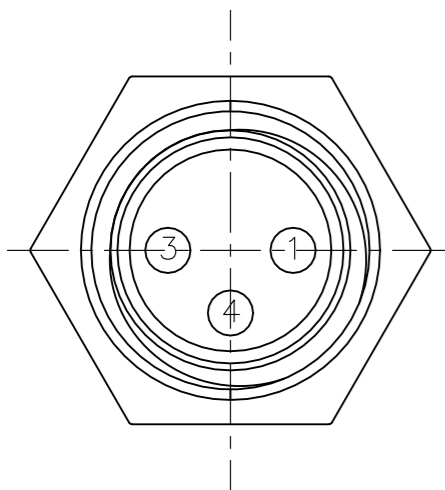
REVISIONS

P	LTR	DESCRIPTION	DATE	DWN	APVD
-	-	SEE SHEET 1	-	-	-

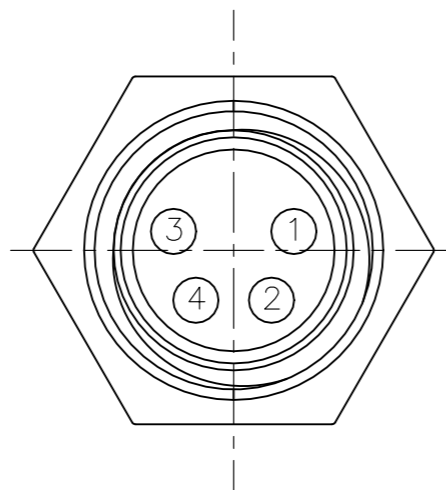
1838838-1

1838838-2

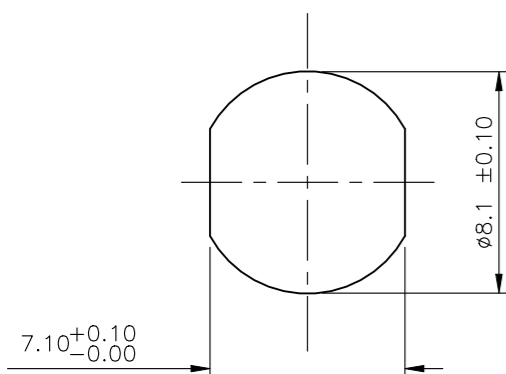
PIN ASSIGNMENTS  
FRONT VIEW



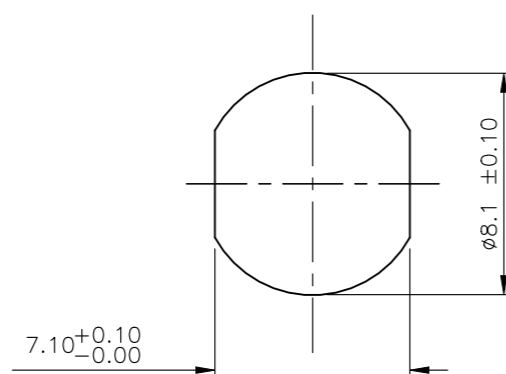
PIN ASSIGNMENTS  
FRONT VIEW



RECOMMENDED PANEL CUT-OUT  
(MAX PANEL THICKNESS 3mm)



RECOMMENDED PANEL CUT-OUT  
(MAX PANEL THICKNESS 3mm)

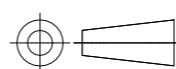


THIS DRAWING IS A CONTROLLED DOCUMENT.

DWN	A. Morey	21FEB07
CHK	F. Wheeler-King	22FEB07
APVD	F. Wheeler-King	22FEB07



DIMENSIONS:  
mm



TOLERANCES UNLESS OTHERWISE SPECIFIED:	
0 PLC	± -
1 PLC	± -
2 PLC	± -
3 PLC	± -
4 PLC	± -
ANGLES	± -
FINISH	-

MATERIAL

-

PRODUCT SPEC	-
APPLICATION SPEC	-
WEIGHT	-

NAME		M8 METAL MALE PANEL MOUNT CONN, SOLDER, STRAIGHT, REAR (HEXAGONAL) MOUNTING	
SIZE	CAGE CODE	DRAWING NO	RESTRICTED TO
A3	00779	C-1838838	-

CUSTOMER DRAWING	SCALE	SHEET	REV
-	NTS	2 OF 2	D2