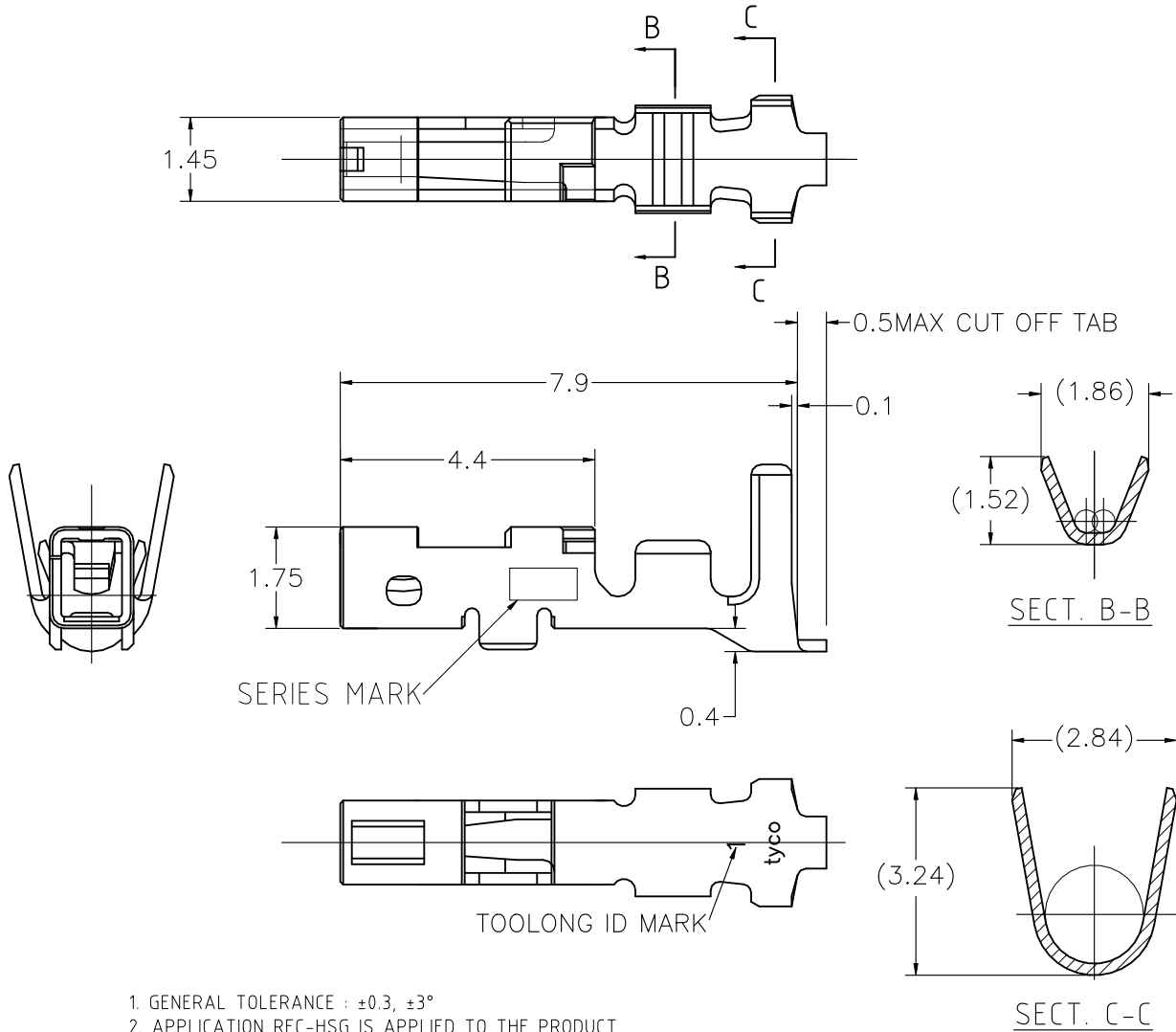


REVISIONS 変更				
P	LTR	DESCRIPTION	DATE	APVD
	C	REVISED PER ECR-22-142637	16JUN2022	TS



- GENERAL TOLERANCE : ± 0.3 , $\pm 3^\circ$
- APPLICATION REC-HSG IS APPLIED TO THE PRODUCT OF 2.5mm PITCH OR MORE OF DYNAMIC D1000SERIES.
2.0mmPITCH CANNOT BE USED.
- 3 OVER Ni PL : 1.27um MIN
Au PL(CONTACT AREA): 0.38um MIN
- 4 OVER Ni PL : 1.27um MIN
Au PL(CONTACT AREA): 0.2um MIN

D L 4	1827588-4 Δ
D L	1827588-2 Δ
SERIES MARK	PART NUMBER

TE Connectivity. All Rights Reserved.

DIMENSIONS: 単位: 耗 mm	
TOLERANCES UNLESS OTHERWISE SPECIFIED: 一般公差	
0 PLC	$\pm -$
1 PLC	$\pm -$
2 PLC	$\pm -$
3 PLC	$\pm -$
4 PLC	$\pm -$
ANGLES	$\pm -$

DWN	T.KUDO	23MAR2005
CHK	D.MITSUGI	23MAR2005
APVD	D.MITSUGI	23MAR2005
PRODUCT SPEC 製品規格	108-78268	
APPLICATION SPEC 取付適用規格	114-5377	
WEIGHT	-	

MATERIAL 材料	COPPER ALLOY		FINISH 仕上	-
TE TE Connectivity				
NAME 名称 DYNAMIC D1000 SERIES REC CONTACT (L TYPE)(L/P)				
SIZE	CAGE CODE	DRAWING NO 番号	RESTRICTED TO	
A4	00779	C -1827588	-	
CUSTOMER DRAWING			SCALE 尺度	8:1
			SHEET	1 OF 1
			REV	C