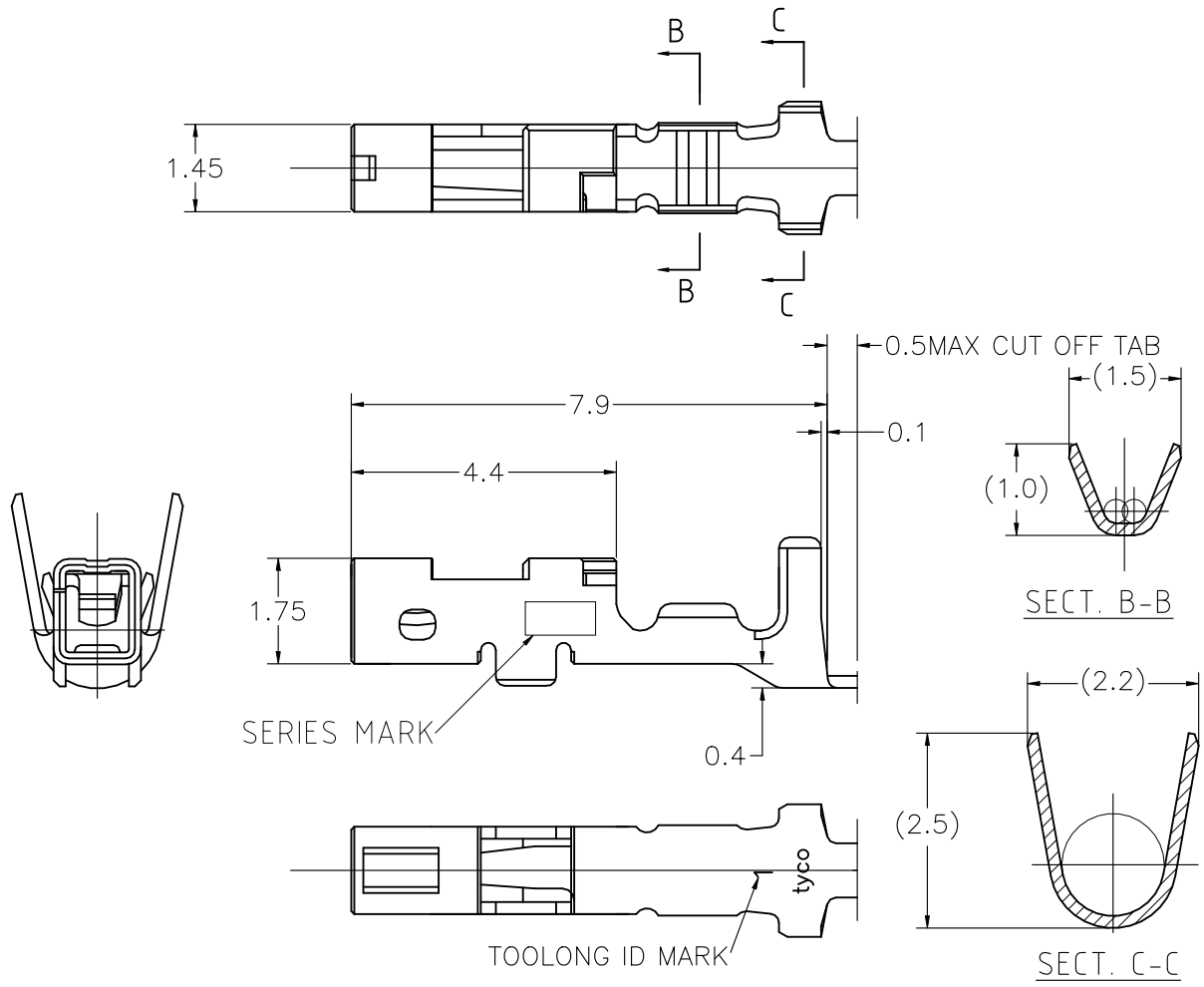


REVISIONS 変更				
P	LTR	DESCRIPTION	DATE	APVD
	C	REVISED PER ECR-22-142637	16JUN2022	RI TS



- 1 GENERAL TOLERANCE : ±0.3, ±3°
- 2. OVER Ni PL : 127um MIN
- Au PL (CONTACT AREA) : 0.38um MIN
- 3. OVER Ni PL : 127um MIN
- Au PL (CONTACT AREA) : 0.2um MIN

TE Connectivity. All Rights Reserved.

D S 4	1827586-4	△
D S	1827586-2	△
SERIES MARK	PART NUMBER	

DIMENSIONS: 単位: 耗 mm	DWN T.KUDO	23MAR2005	MATERIAL 材料	COPPER ALLOY	FINISH 仕上
	CHK D.MITSUGI	23MAR2005	TE Connectivity		
TOLERANCES UNLESS OTHERWISE SPECIFIED: 一般公差	APVD D.MITSUGI	23MAR2005			
	PRODUCT SPEC 製品規格 108-78268	SIZE A4			CAGE CODE 00779
0 PLC ± - 1 PLC ± - 2 PLC ± - 3 PLC ± - 4 PLC ± - ANGLES ± -	APPLICATION SPEC 取付適用規格 114-5377			RESTRICTED TO -	
	WEIGHT -			SCALE 尺度 8:1	SHEET 1 OF 1
CUSTOMER DRAWING				REV C	