

THIS DRAWING IS UNPUBLISHED. RELEASED FOR PUBLICATION
 © COPYRIGHT BY TYCO ELECTRONICS CORPORATION. ALL RIGHTS RESERVED.

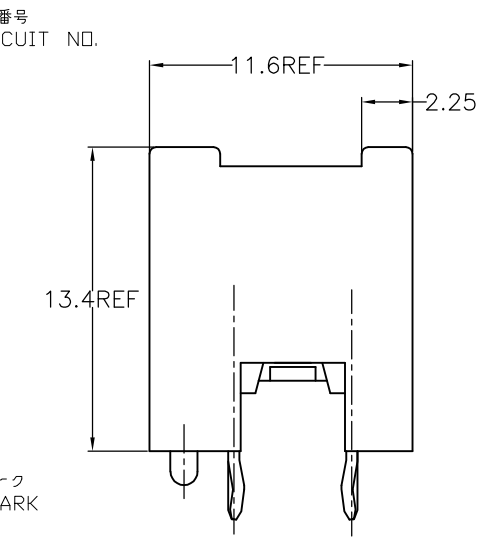
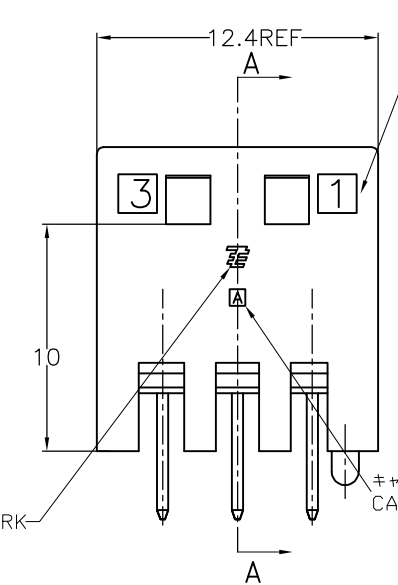
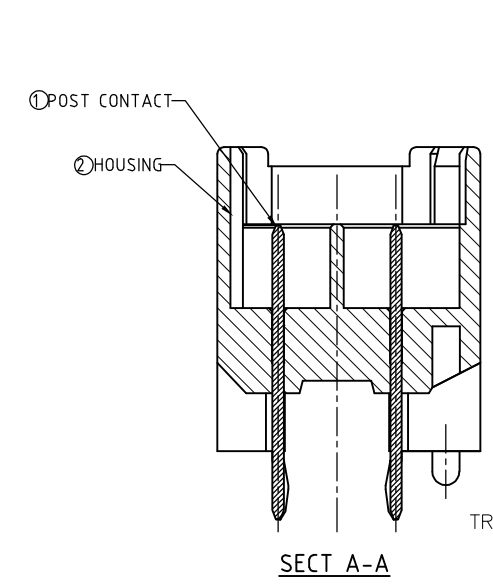
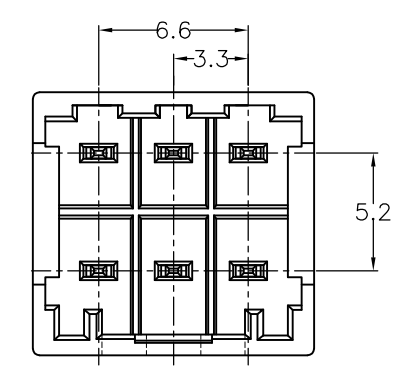
LOC	DIST	REVISIONS					
		P	LTR	DESCRIPTION	DATE	DWN	APVD
J	—		F1	REVISED PER ECR-10-019980	04OCT10	HMR	TM

TABLE

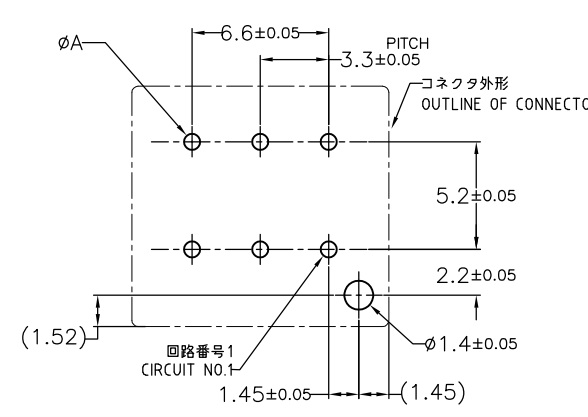
②	ヘッダーハウジング (HEADER HOUSING)	6/6ナイロンガラス強化 (6/6 NYLON GRASS FILLED) (UL94-V0)
①	ポストコンタクト (POST CONTACT)	錫めっき仕上げ 黄銅 (BRASS TIN PLATED)
NO.	名称 (NAME)	材料 (MATERIAL)

- 注)
 1. 取付穴寸法
 2. 適応基板厚: 1.6t
 3. かん合相手製品型番:
 プラグハウジング: SEE TABLE

- NOTES)
 1. RECOMMENDED P.C.B LAY OUT
 2. APPLICABLE P.C.B. THICKNESS: 1.6
 3. MATING CONN. P/N
 PLUG HOUSING: SEE TABLE



PCB. LAYOUT ON RECOMMENDATION



パンチ加工 (PUNCHED HOLE)	0.7 ^{+0.1} ₋₀
ドリル加工 (DRILLED HOLE)	0.8 ±0.05
	A 寸法 DIM. A

KINK FORM

× CHARACTER S IS STRAIGHT PIN.

6 POS	KINK FORM	B	S	B	
	CIRCUIT NO.	4	5	6	
	KINK FORM	A	S	A	
	CIRCUIT NO.	1	2	3	

THIS DRAWING IS A CONTROLLED DOCUMENT.

DWN	T.HATANO	19APR2005	 Tyco Electronics AMP K.K. Kawasaki, Japan			
CHK	N.YAMASAKI	19APR2005				
APVD	N.YAMASAKI	19APR2005				
NAME	N.YAMASAKI					
PRODUCT SPEC	108-78231		GRACE INERTIA CONNECTOR 3.3 HEADER ASSEMBLY 6POS			
APPLICATION SPEC	取付適用規格					
WEIGHT	—		SIZE	CAGE CODE	DRAWING NO	RESTRICTED TO
CUSTOMER DRAWING			A3	00779	G-1827392	—
MATERIAL			SCALE		SHEET	REV
SEE TABLE			3:1		1 OF 1	F1